

THIS DRAWING IS UNPUBLISHED.

RELEASED FOR PUBLICATION

© COPYRIGHT - new logo 2011

ALL RIGHTS RESERVED.

LOC  
H

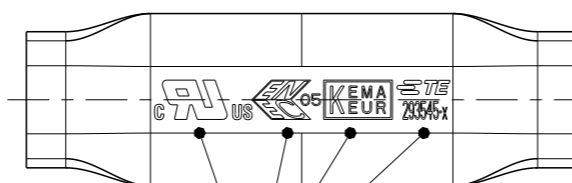
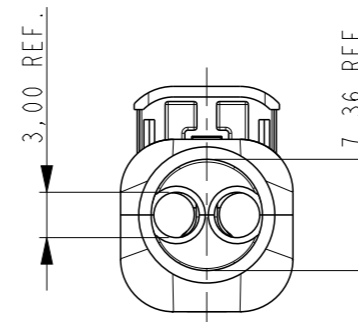
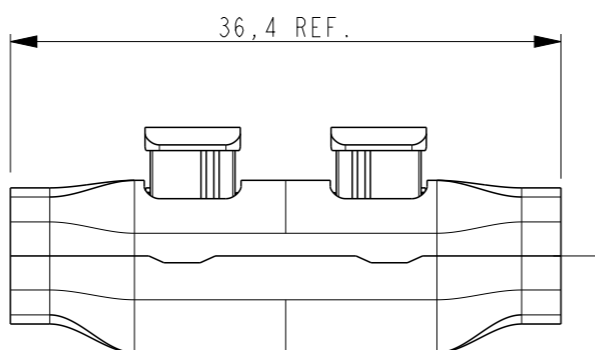
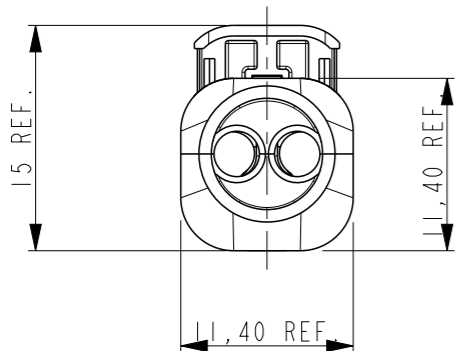
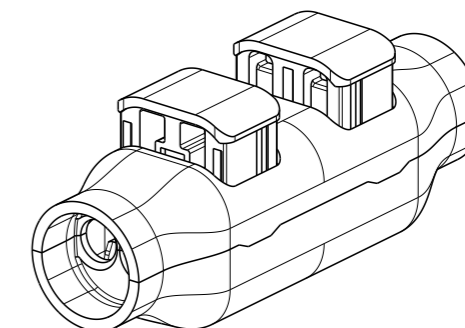
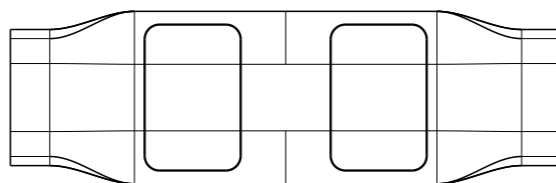
DIST  
-

REVISIONS

P	LTR	DESCRIPTION	DATE	DWN	APVD
	G	CHANGES PER ECR-12-004118	02MAR2012	PP	JK
	G1	CHANGES PER ECR-13-013257	30AUG2013	RS	DD
	G2	CHANGES PER ECR-14-011255	01AUG2014	RS	DD
	G3	CHANGES PER ECR-15-005296	22APR2015	RS	DD

NOTES:

- 1 CONNECTOR ACCEPT MULTIPLE WIRES SIZES: SEE TABLE.
- 2 HOUSING AND BUTTON MATERIAL : POLYCARBONATE
- 3 IDC CONTACT MATERIAL: PhBR
- 4 PRINTING LOGO'S: P/N 293545-1 and -3: cURus, ENEC, KEMA, PARTNUMBER, TE.
- 5 PRINTING LOGO'S: P/N 293545-2 and -4: UL, cUR, ENEC, KEMA, PARTNUMBER, TE.
- 6 WIRE INSULATION DIAMETER RANGE IS FROM 1.75 TO 2.85 mm



SEE NOTE 4 & 5

HOUSING COLOR	PARTNUMBER	DESCRIPTION	CABLE SIZE
YELLOW TRANSPARENT	293545-4 <sup>5</sup>	SPLICING CONNECTOR SEALED	AWG 20 (0.52mm <sup>2</sup> ) / AWG 22 (0.33mm <sup>2</sup> )
	293545-3 <sup>5</sup>	SPLICING CONNECTOR UNSEALED	AWG 20 (0.52mm <sup>2</sup> ) / AWG 22 (0.33mm <sup>2</sup> )
CLEAR	293545-2 <sup>4</sup>	SPLICING CONNECTOR SEALED	AWG 18 (0.82mm <sup>2</sup> ) TO 0.75mm <sup>2</sup>
	293545-1 <sup>4</sup>	SPLICING CONNECTOR UNSEALED	AWG 18 (0.82mm <sup>2</sup> ) TO 0.75mm <sup>2</sup>

THIS DRAWING IS A CONTROLLED DOCUMENT.		DWN 04MAR2010 J.v.d.Krogt	<b>TE Connectivity</b>	
DIMENSIONS: mm		CHK 04MAR2010 J.v.d.Krogt		
TOLERANCES UNLESS OTHERWISE SPECIFIED:		APVD 06MAR2010 O.Leijnse	NAME SPLICING CONNECTOR	
0 PLC ± 1 PLC ±0.2 2 PLC ±0.15 3 PLC ± 4 PLC ± ANGLES ±3°		PRODUCT SPEC 108-19419	RESTRICTED TO	
MATERIAL SEE NOTES		APPLICATION SPEC 114-19136	SIZE A3	CAGE CODE 00779
FINISH SEE NOTES		WEIGHT -	DRAWING NO C-293545	SCALE 2:1
		Customer Drawing	SHEET 1 OF 1	REV G3