

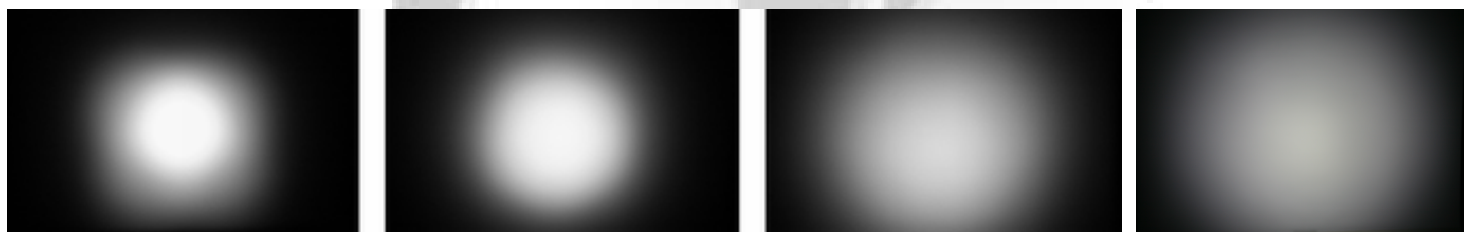
Eva lenses for Cree's MC-E series of LEDs



- Specially designed for Cree's MC-E series of LEDs.
- Special care taken to make a uniform white or warm white illumination. Lenses work well with other colors, too.
- Lens material optical grade PMMA. Allows use of high current and temperature conditions
- Best available optical efficiency, up to 90%.

LENS TYPES

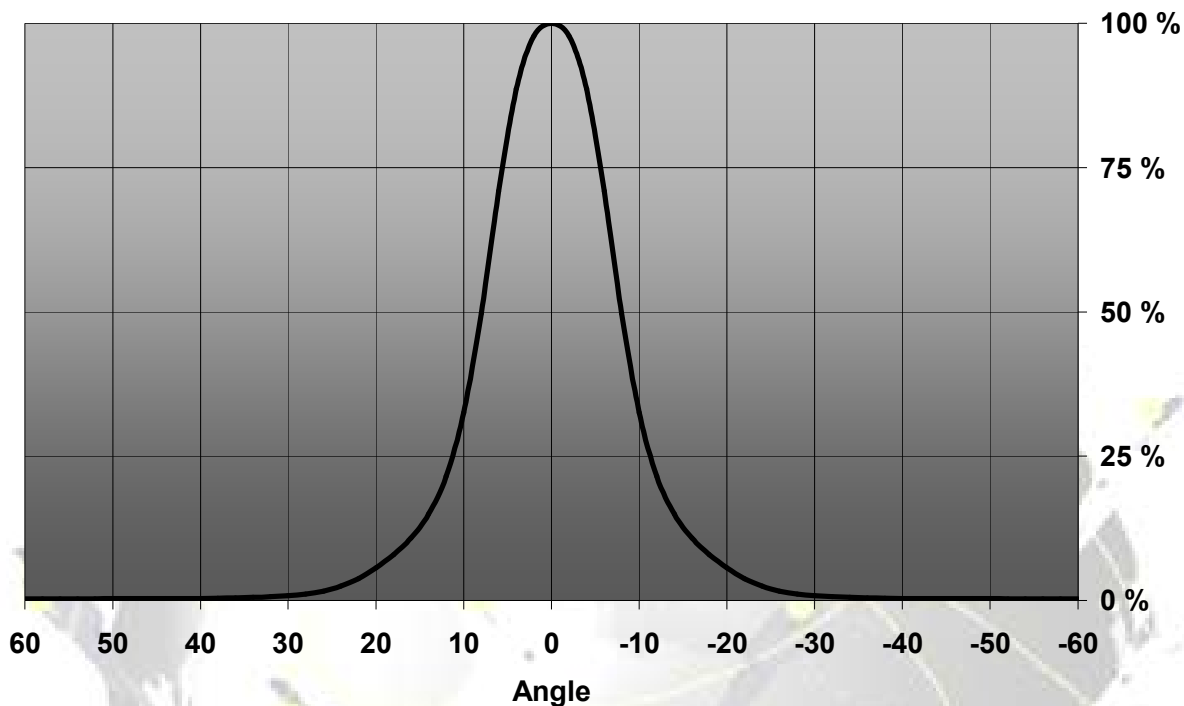
NAME	ORDERING CODE	FWHM Angle
Eva Diffuser	C10684_Eva-D	±8°
Eva Medium	C10685_Eva-M	±11°
Eva Wide	C10686_Eva-W	±18.2°
Eva WW	C10909_Eva-MC-WW	±27.5°



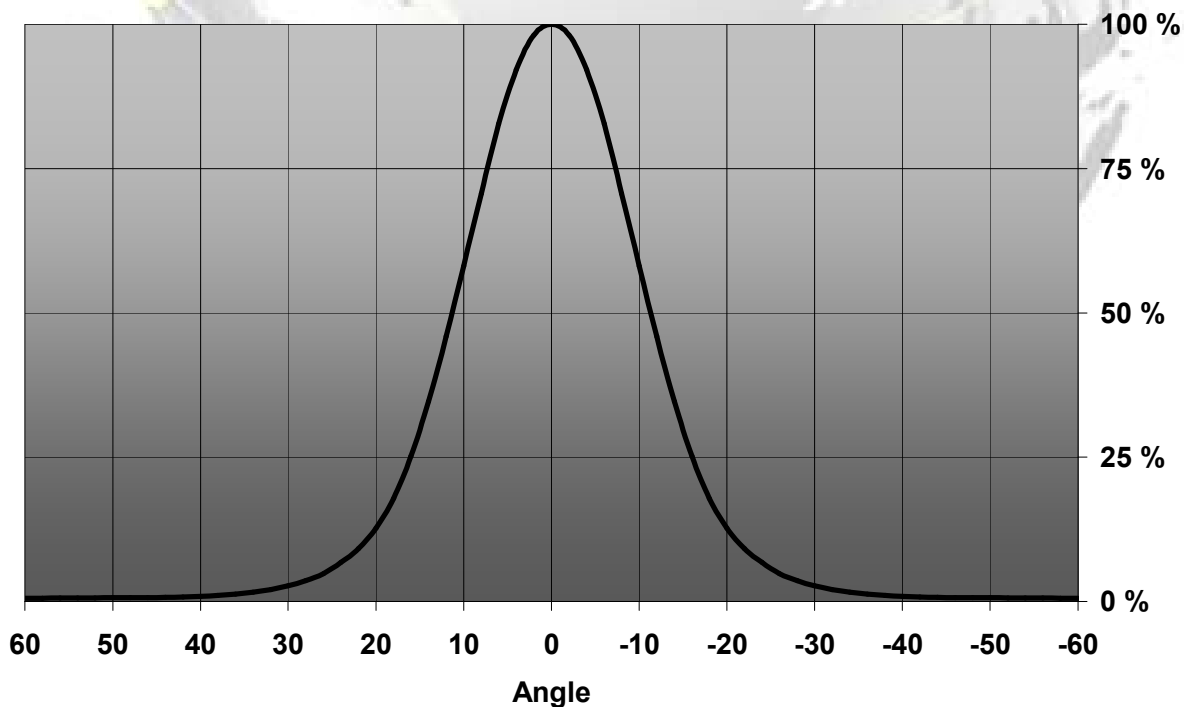
© Ledil Oy – PRELIMINARY - Subject to change without prior notice

MEASUREMENT DATA

Relative Intensity of EVA-D

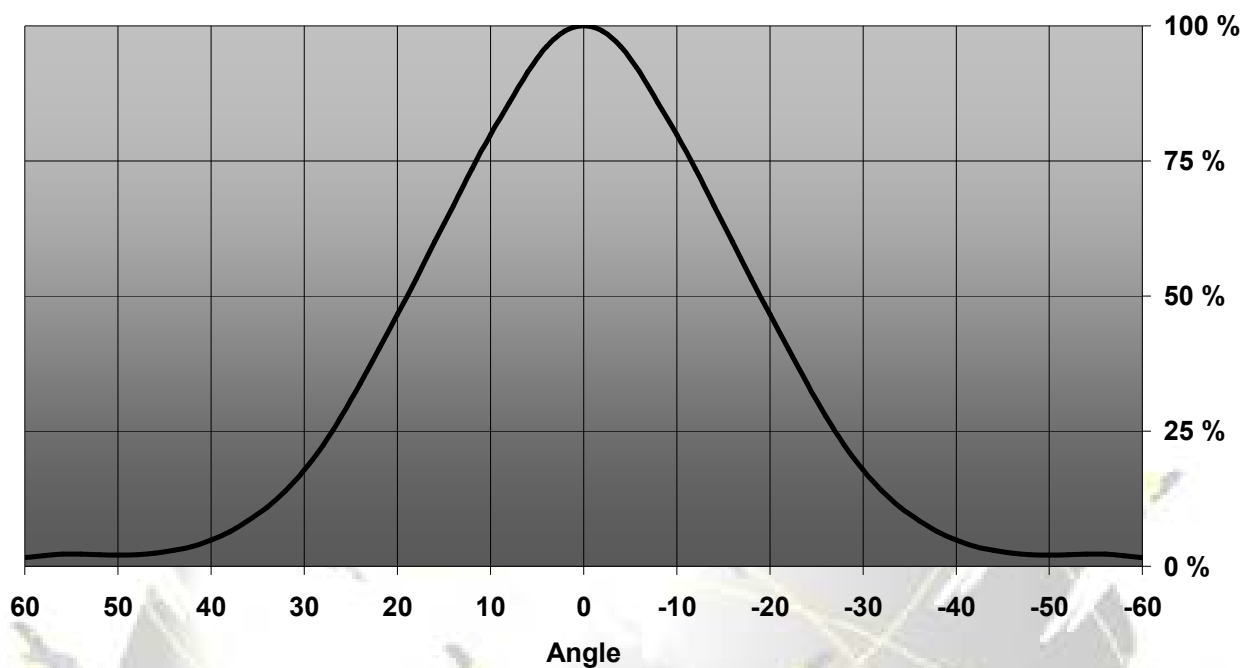


Relative Intensity of EVA-M

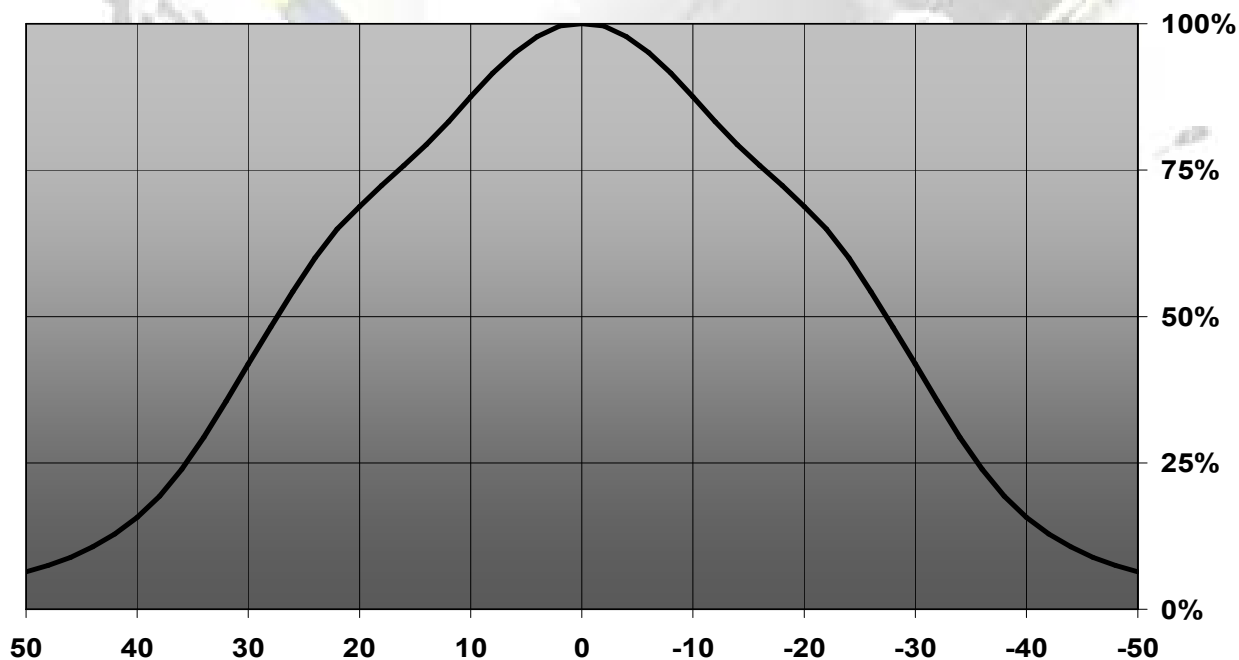


© Ledil Oy – PRELIMINARY - Subject to change without prior notice

Relative Intensity of EVA-W

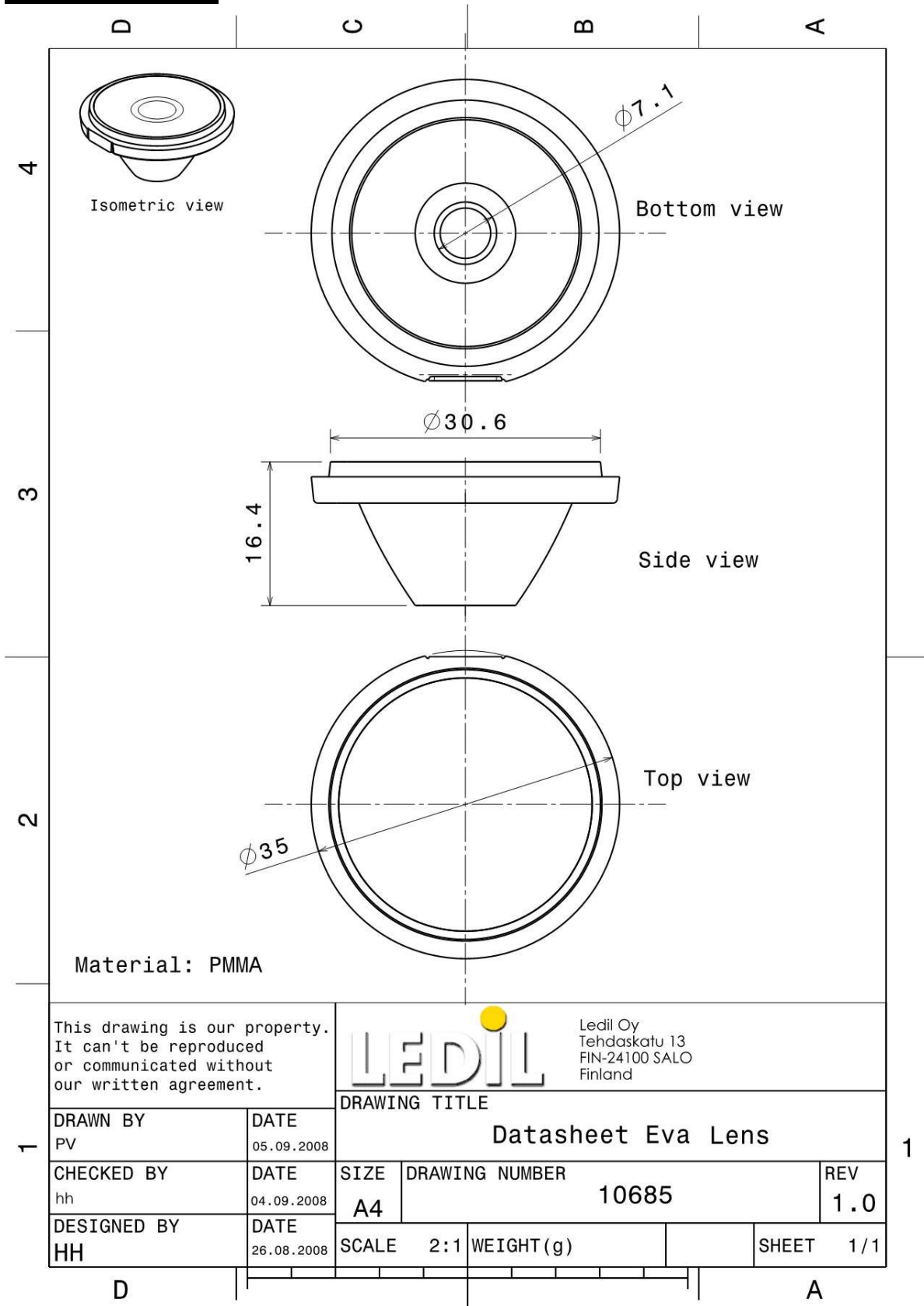


Relative Intensity of C10909_Eva-MC-WW



© Ledil Oy – PRELIMINARY - Subject to change without prior notice

DRAWINGS



This drawing is our property. It can't be reproduced or communicated without our written agreement.



Ledil Oy
Tehdaskatu 13
FIN-24100 SALO
Finland

DRAWING TITLE

Datasheet Eva Lens

DRAWN BY
PV

DATE
05.09.2008

CHECKED BY
hh

DATE
04.09.2008

SIZE
A4

DRAWING NUMBER
10685

REV
1.0

DESIGNED BY
HH

DATE
26.08.2008

SCALE 2:1 WEIGHT(g)

SHEET 1/1