

# FDD 12 SERIES



DC - DC CONVERTER  
10 ~ 12W SINGLE & DUAL OUTPUT

## FEATURES

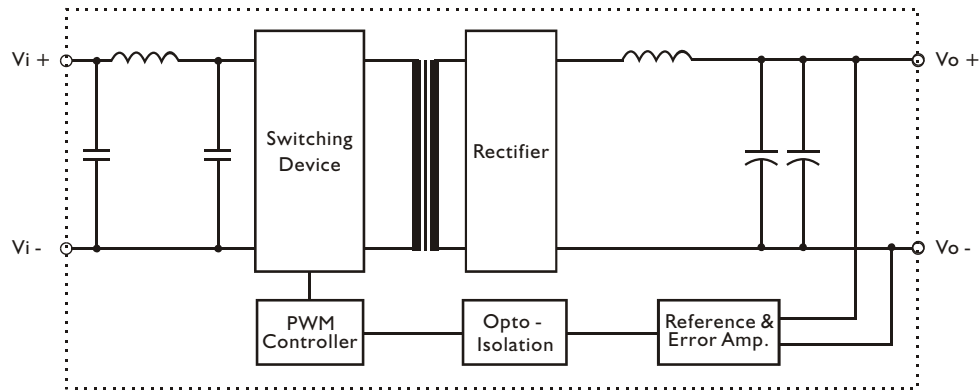
- LOW COST
- 4:1 WIDE INPUT RANGE
- I/O ISOLATION
- INPUT Pi FILTER
- SHORT CIRCUIT PROTECTION
- HIGH PERFORMANCE
- 2 YEARS WARRANTY

## MODEL LIST

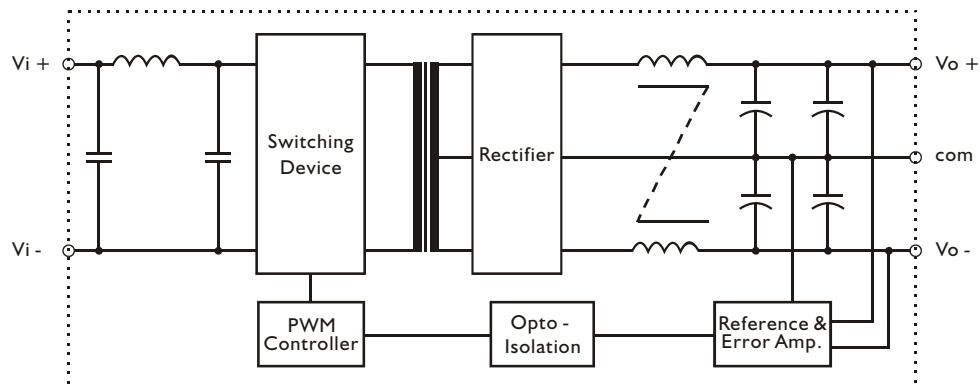
MODEL NO.	INPUT VOLTAGE	OUTPUT WATTAGE	OUTPUT VOLTAGE	OUTPUT CURRENT	EFF. (min.)
<b>Single Output Models</b>					
FDD12 - 03S4	10~36 VDC	10 WATTS	+3.3 VDC	3000 mA	75%
FDD12 - 05S4	10~36 VDC	12 WATTS	+ 5 VDC	2400 mA	77%
FDD12 - 12S4	10~36 VDC	12 WATTS	+ 12 VDC	1000 mA	77%
FDD12 - 15S4	10~36 VDC	12 WATTS	+ 15 VDC	800 mA	77%
FDD12 - 03S5	18~72 VDC	10 WATTS	+3.3 VDC	3000 mA	77%
FDD12 - 05S5	18~72 VDC	12 WATTS	+ 5 VDC	2400 mA	77%
FDD12 - 12S5	18~72 VDC	12 WATTS	+ 12 VDC	1000 mA	77%
FDD12 - 15S5	18~72 VDC	12 WATTS	+ 15 VDC	800 mA	77%
<b>Dual Output Models</b>					
FDD12 - 05D4	10~36 VDC	12 WATTS	± 5 VDC	± 1200 mA	77%
FDD12 - 12D4	10~36 VDC	12 WATTS	± 12 VDC	± 500 mA	77%
FDD12 - 15D4	10~36 VDC	12 WATTS	± 15 VDC	± 400 mA	77%
FDD12 - 05D5	18~72 VDC	12 WATTS	± 5 VDC	± 1200 mA	77%
FDD12 - 12D5	18~72 VDC	12 WATTS	± 12 VDC	± 500 mA	77%
FDD12 - 15D5	18~72 VDC	12 WATTS	± 15 VDC	± 400 mA	77%

### CIRCUIT SCHEMATIC

- Block diagram for FDD12 series with single output



- Block diagram for FDD12 series with dual output



### SPECIFICATION

All Specifications Typical At Nominal Line, Full Load, 25°C Unless Otherwise Noticed

#### GENERAL

Characteristics	Conditions	min.	typ.	max.	unit
Switching frequency	Vi nom, Io nom		200		KHz
Isolation voltage	Input / Output	1,500			VDC
Isolation resistance	Input / Output, @ 500VDC	100			MΩ
Ambient temperature	Operating at Vi nom, Io nom	-25		+ 71	°C
Case temperature	Operating at Vi nom, Io nom			+ 100	°C
Derating	Vi nom	See derating curve			% / °C
Storage temperature	Non operational	-40		+ 100	°C
M.T.B.F.	According to MIL-HDBK-217F, GF40		661,000		Hrs
Dimension	L50.8 x W50.8 x H11.9				mm
Cooling	Free air convection				
Case material	Metal				

#### INPUT SPECIFICATIONS

Characteristics	Conditions	min.	typ.	max.	unit
Input voltage range	Ta min ... Ta max, Io nom	10	24	36	VDC
		18	48	72	VDC
No load input current	Vi nom, Io = 0	24V models		20	mA
		48V models		15	mA
Input voltage w/o damage	Io nom	24V models		40	VDC
		48V models		75	VDC
Input filter	Pi type				

#### OUTPUT SPECIFICATIONS

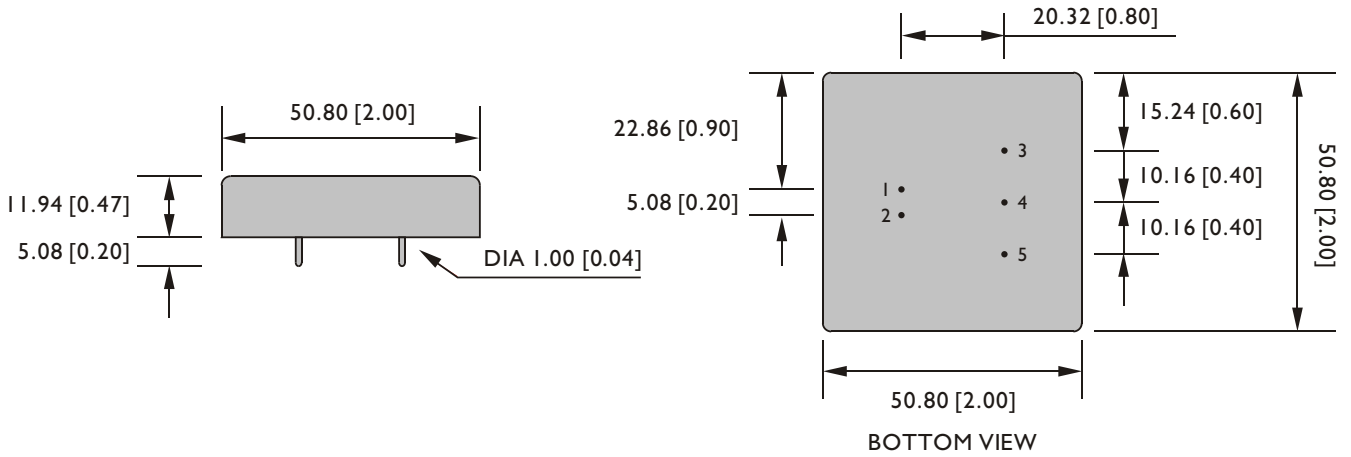
Characteristics	Conditions	min.	typ.	max.	unit
Output voltage accuracy	Vi nom, Io nom			± 2	%
Minimum load	Vi nom	0			%
	single output models				
	dual output models (each output)	20			%
Line regulation	Io nom, Vi min ... Vi max			± 1	%
Load regulation	Vi nom, Io 0 ... Io nom, single output models			± 2	%
	Vi nom, Io min ... Io nom, dual output models			± 5	%
Transient recovery time	Vi nom, Io nom ... 1/2 Io nom		500		μs
Temperature coefficient	Vi nom, Io nom			± 0.02	% / °C
Ripple & noise	Vi nom, Io nom, 3.3V model			100	mV
	BW = 20MHz 5V, 12V, 15V & dual			Vout x ± 1%	mV
Efficiency	Vi nom, Io nom, Po / Pi	Up to 77%, See model list			

#### CONTROL AND PROTECTION

Input reversed	Shunt diode built in, external fuse recommended
Output short circuit	Continuous

### MECHANISM & PIN CONFIGURATION

mm [inch]



### PHYSICAL CHARACTERISTICS

CASE SIZE	50.8 x 50.8 x 11.9 mm 2 x 2 x 0.47 inches
CASE MATERIAL	Metal
WEIGHT	65 g (typ.)

### PIN ASSIGNMENT

GENERAL					
PIN NO.	1	2	3	4	5
SINGLE	Vi+	Vi-	Vo+	NO PIN	Vo-
DUAL	Vi+	Vi-	Vo+	com	Vo-

### DERATING

