

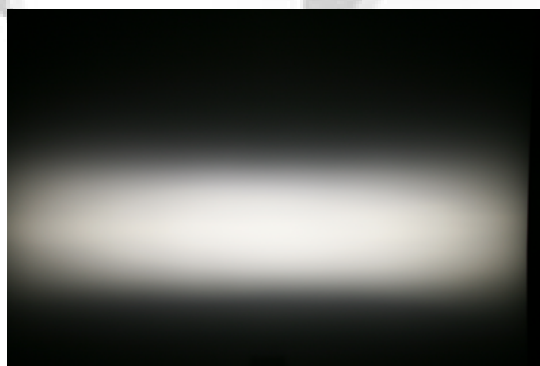
Flare-B-XP lens for Cree XP-E/C series of LEDs



Flare-B-XP

- Lens designed for Cree's XP-E series of LEDs
- Lens material optical grade PMMA with high UV and temperature resistance (105°C/220°F). Allows use of high current and temperature conditions
- Best available optical efficiency
- Fastening to PCB & heat sink with 2 screws (C10946_Flare-B-XP) or very easy assembly with TAPE
- LED can be assembled parallel or perpendicular to the x,y axis (to turn the light distribution by 90°)
- Compact dimensions 23 x 25 mm. Square form enables easy build of a line without any gaps between lenses.
- **Especially suitable for Beacon and other 360° solutions and in linear solutions with high evenness requirements**

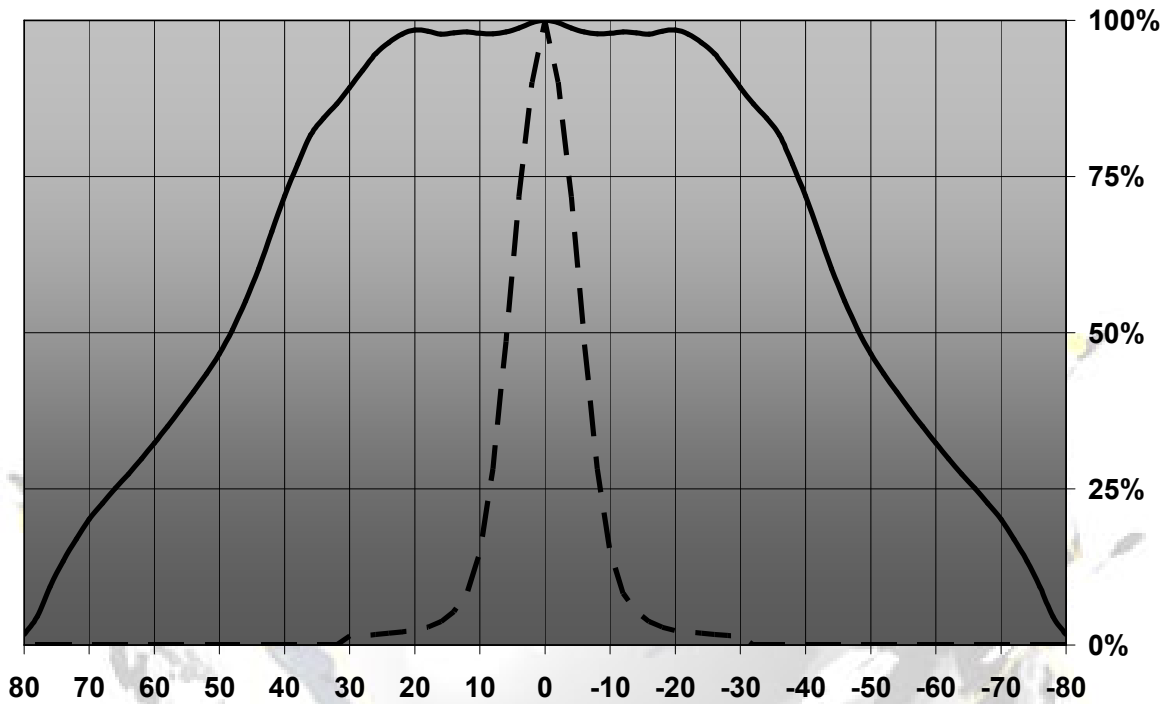
NAME	ORDERING CODE	FWHM Angle
Flare-B-XP LENS	C10946_Flare-B-XP	±6° x ±48°
Flare-B-XP LENS+ TAPE	CA10932_Flare-B-XP-tape	±6° x ±48°



© Ledil Oy - Subject to change without prior notice

MEASUREMENTS

Relative Intensity of C10946_Flare-B-XP



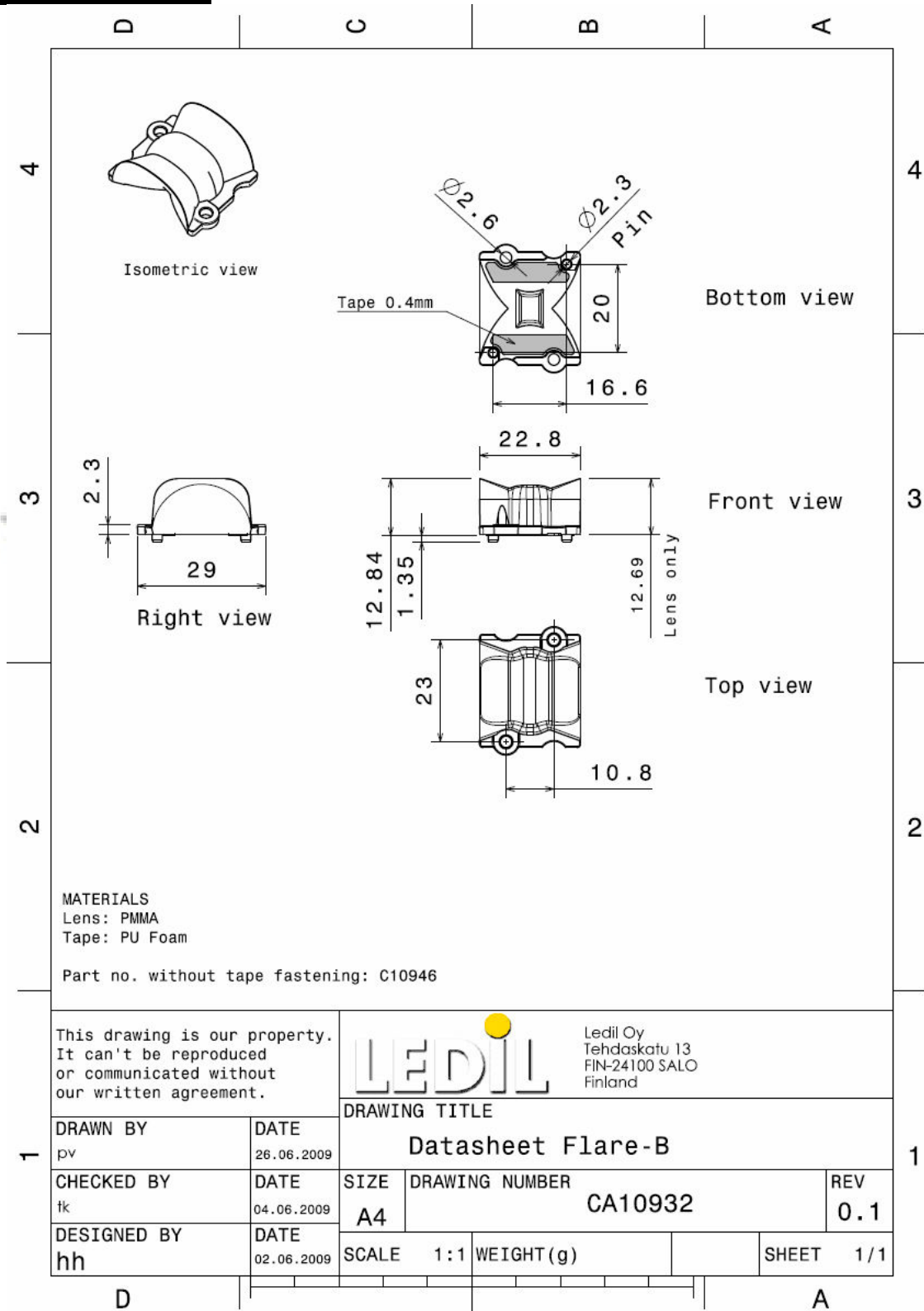
© Ledil Oy - Subject to change without prior notice

Ledil Oy
Tehdaskatu 13
FIN-24100 SALO, Finland

www.ledil.com
email: ledil@ledil.com
FAX: +358-2-733 8001

2009-11-28

DRAWINGS



© Ledil Oy - Subject to change without prior notice