



- 1U High
- Up to 3000W (3 units) in 19" Rack
- Hotswap capable (Oring Diodes Built In)
- Low Cost
- PoE Option

FPS1000 Series

1000W Front End
Power Supplies

Key Market Segments & Applications

Power for Distributed Power Architecture
Factory Automation
RF Amplifiers

FPS Features and Benefits

Features

- 1U High
- Hotswap capable
- High Efficiency
- Full Array of Signals

Benefits

- Lower Cost of Ownership
- Suitable for N+1 Redundancy
- Less Heat Dissipated in System
- Easier System Monitoring

Specifications

ITEMS	MODELS		12V Nominal	24V Nominal	32V Nominal	48V Nominal
	(1)	(2)				
Output Voltage Range	V		10.5 - 13.2V	21.5 - 29V	28.8 - 38.4V	43 - 58V
Output Current	A		72A	40A	31A	21A
Line Regulation	-				<0.4%	
Load Regulation	-				<0.8%	
Output Noise	mV		150mV	200mV	250mV	300mV
Overvoltage Protection	V		14.3 to 15.7V	31 to 34V	41.5V to 45.5V	62 to 66V
Overcurrent Protection	-				105 - 125%, Constant Current type	
Load Sharing	-				Single wire current sharing, up to 8 units	
Remote Sense	-				Compensates for 1V on each output lead	
I ² C Monitoring	-				Optional (Specify /S)	
Signals (opto isolated)	-				DC OK, AC Fail, and Over temperature warning, high on fail	
Remote On/Off	-				On: 0 - 0.6V or short, Off: 2- 15V or open	
Auxiliary Output	-				11.2-12.5VDC 0.25A	
AC Input					85 - 265VAC, 47 - 63Hz ² , 120-360VDC. (Derate 10% < 100VAC)	
Leakage Current	mA				<1.1mA at 230VAC input	
Inrush Current	A				<40A	
Hold up time (100VAC input)	-				20ms typical (at 80% rated load)	
Efficiency (typ) 100/200VAC	-		81 / 83%	84 / 86%	84 / 86%	85 / 88%
Power Factor Correction	-				EN61000-3-2 class A (20-100% load), >0.98 at full load	
Immunity	-				EN61000-4-2, -3, -4, -5, -6, -11	
EMC (conducted and radiated)	-				EN55022, level B, FCC Class B	
Operating Temperature	°C				0 to +70°C, derate 2%/°C from 50 to 60°C, 2.5%/°C from 60 to 70°C	
Storage Temperature	°C				-30 to +85°C	
Withstand Voltage	-				Input to Output 3kVAC, Input to Output 2kVAC, Output to Ground 500VAC for 1 min.	
Cooling	-				Two internal fans, airflow from front to back (variable speed)	
Humidity	-				Operating: 10 - 90% RH, Storage: 10 - 95% RH (non condensing)	
Shock & Vibration	-				Built to meet ETS 300 019	
Safety Agency	-				UL60950-1, EN60950-1, CE Mark	
Input / Output Connector	-				Positronic PCIB24W9M400A1 (Mating #PCIB24W9F400A1)	
Front panel indicators	-				AC OK, DC OK, DC Fail	
Size (HxWxL)	mm				Stand alone: 41 x 127 x 290; Rack: 44 x 400 x 351	
Weight	g				2,000	
Warranty	yr				2 Years	

Note 1 Via Trim pin on output connector

Note 2 47-440Hz with reduced PFC (100-265VAC)



Model Selector

Front AC Input Panel Configuration	Output Voltage	Output Current	Max Power	I ² C Interface
FPS100012/P	12V	72A	864W	No
FPS100012/PS	12V	72A	864W	Yes
FPS100024/P	24V	40A	960W	No
FPS100024/PS	24V	40A	960W	Yes
FPS100032/P	32V	31A	992W	No
FPS100032/PS	32V	31A	992W	Yes
FPS100048/P	48V	21A	1008W	No
FPS100048/PS	48V	21A	1008W	Yes
FPSS1U/P	Rack (3 slot), contains two blanking panels			
FPST1U/P	Rack with 3 individual outputs (floating)			

Rear AC Input Panel Configuration	Output Voltage	Output Current	Max Power	I ² C Interface
FPS100012	12V	72A	864W	No
FPS100012/S	12V	72A	864W	Yes
FPS100024	24V	40A	960W	No
FPS100024/S	24V	40A	960W	Yes
FPS100032	32V	31A	992W	No
FPS100032/S	32V	31A	992W	Yes
FPS100048	48V	21A	1008W	No
FPS100048/S	48V	21A	1008W	Yes
FPSS1U	Rack (3 slot), contains two blanking panels			
FPST1U	Rack with 3 individual outputs (floating)			

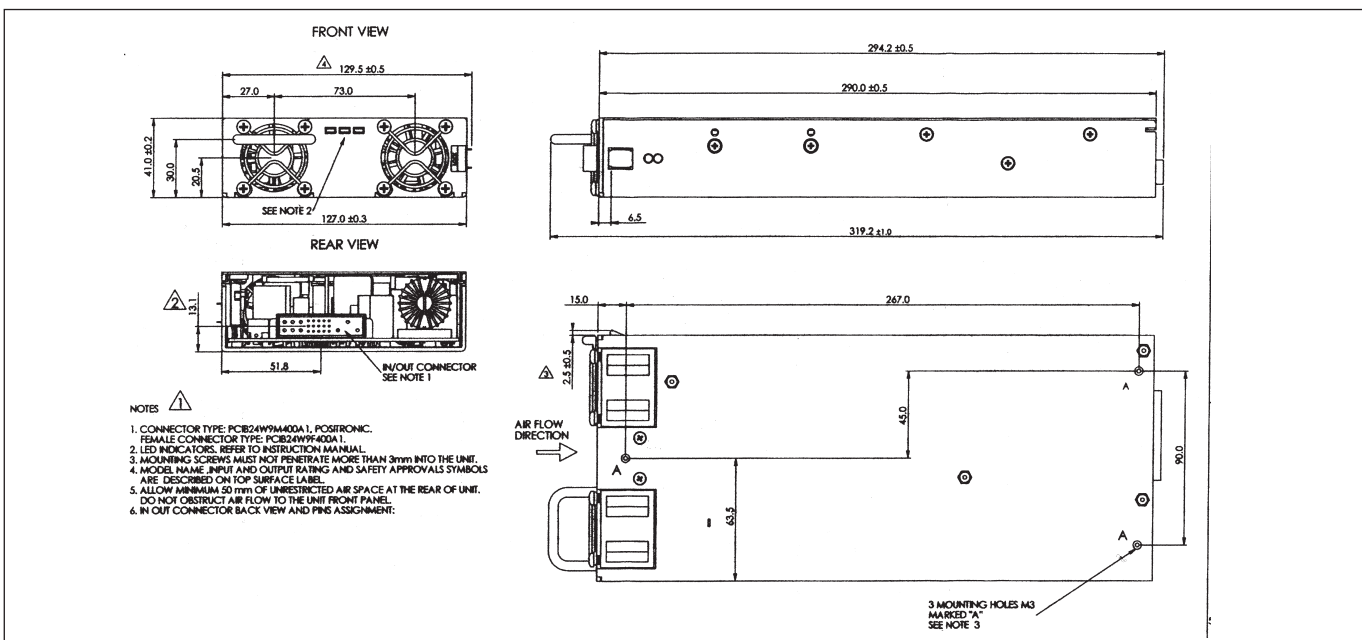
Options

Suffix	Description
/POE*	1500VAC Output to Ground Isolation (output noise 400mV)
*FPS100048 only	

Full System (3 Modules & FPS s1U rack)

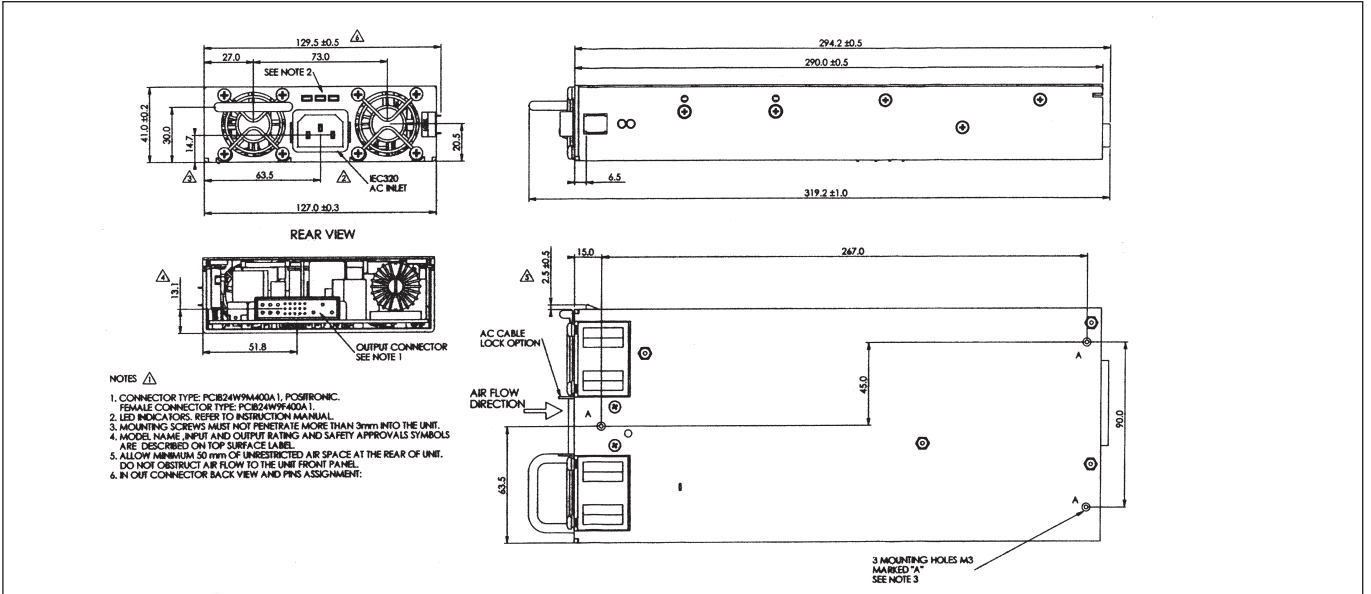
FPS3000 -	XX	/ X	
	12	BLANK	= Standard
	24	S	= I ² C
	32	P	= FRONT AC INPUT
	48		

Outline Drawing FPS1000 Series

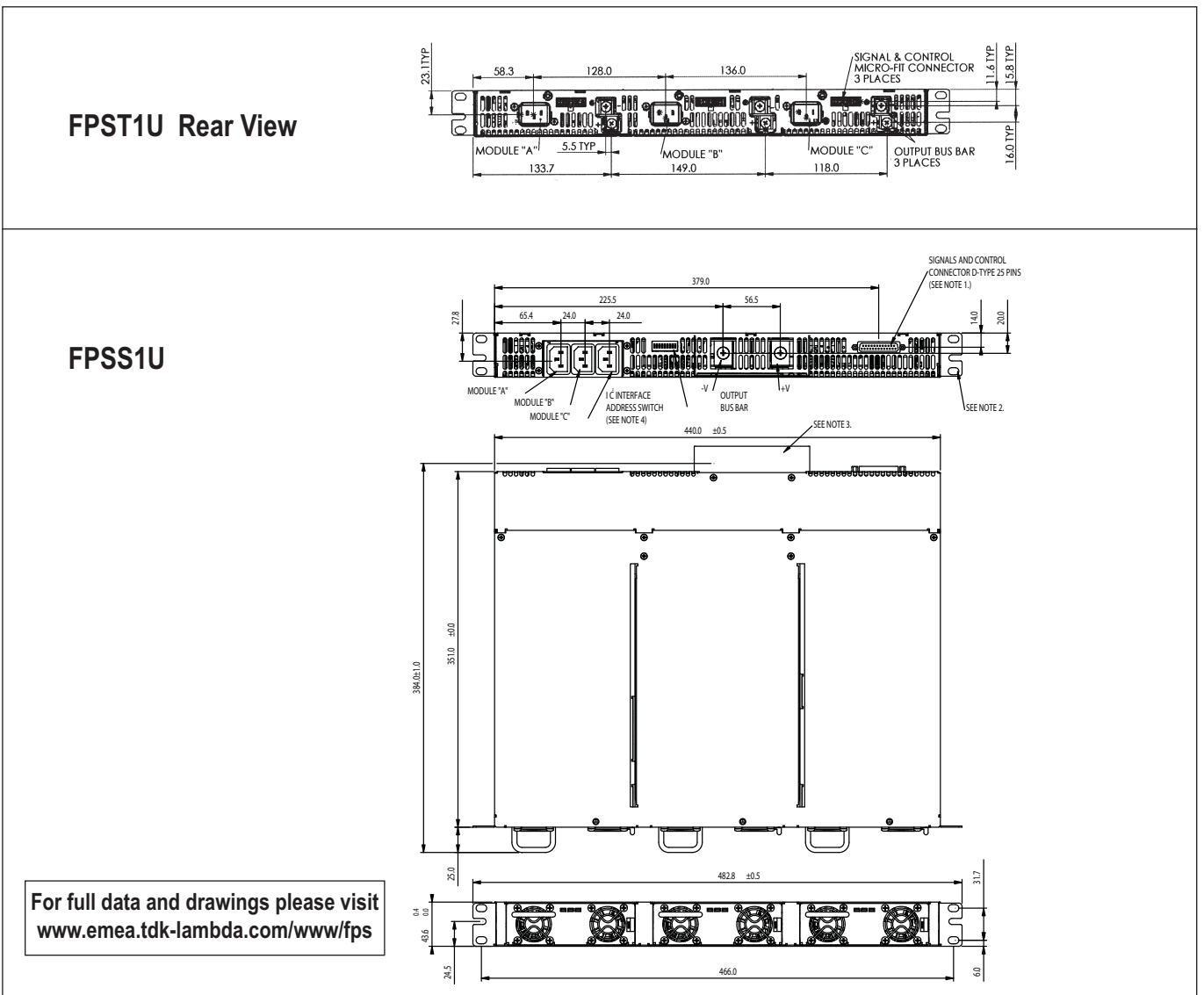




Outline Drawing FPS1000/P Series



Outline Drawing FPS Racks



For full data and drawings please visit www.emea.tdk-lambda.com/www/fps



TDK-LAMBDA EMEA

www.emea-tdk-lambda.com



TDK-Lambda France SAS
ZAC des Delaches
BP 1077-Gometz-le-Chatel
91940 LES ULIS
France
Tel: +33 1 60 12 71 65
Fax: +33 1 60 12 71 66
www.fr.tdk-lambda.com



TDK-Lambda Germany GmbH
Karl-Bold-Strasse 40
77855 Achern
Tel: +49 7841 666 0
Fax: +49 7841 5000
info.germany@de.tdk-lambda.com
www.emea.tdk-lambda.com



TDK-Lambda Italy S.r.l.
Via dei Lavoratori 128/130
20092 Cinisello Balsamo (MI)
Italy
Tel: +39 02 61 29 38 63
Fax: +39 02 61 29 09 00
info.italia@lambda-europe.com
www.it.tdk-lambda.com



TDK-Lambda Austria Sales Office
Aredstrasse 22
2544 Leobersdorf
Tel: +43 2256 655 84
Fax: +43 2256 645 12
info.germany@de.tdk-lambda.com
www.emea.tdk-lambda.com



TDK-Lambda Scandinavia Sales Office
PO Box 546
Rallarvägen 41
184 40 Åkersberga
Sweden
Tel: +46 854 084 990
Fax: +46 854 066 096
info.germany@de.tdk-lambda.com
www.emea.tdk-lambda.com



TDK-Lambda UK Ltd.
Kingsley Avenue
Ilfracombe
Devon EX34 8ES
United Kingdom
Tel: +44 (0) 12 71 85 66 66
Fax: +44 (0) 12 71 86 48 94
www.uk.tdk-lambda.com



Nemic Lambda Ltd.
Kibbutz Givat
Hashlosha 48800
Israel
Tel: +9 723 902 4333
Fax: +9 723 902 4777
www.nemic.co.il



TDK-Lambda Americas Inc.
Low Power
3055 Del Sol Blvd
San Diego CA 92154
USA
Tel: +1 800-LAMBDA-4 or 1-800-526-2324
Tel: +1 619-575-4400
Fax: +1 619-429-1011
www.us.tdk-lambda.com/lp/



TDK-Lambda Corporation
5F Dempa Bldg. 1-11-15
Higashi-Gotanda
Shinagawa-Ku
Tokyo 141-0022
Japan
Tel: +81 3 3447 4693
Fax: +81 3 3447 4750
www.tdk-lambda.com

High Power
405 Essex Road Neptune NJ 07753
USA
Tel: +1 732 922 9300
Fax: +1 732 922 1441
www.us.tdk-lambda.com/hp/

LOCAL DISTRIBUTION

