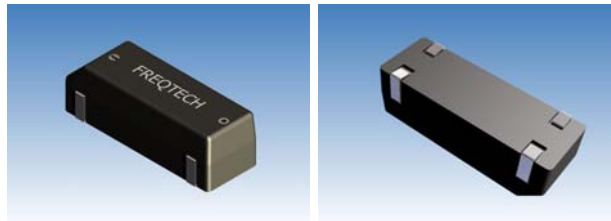


FT4A

Package: plastic
rohs compliant

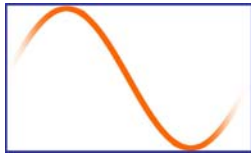


Electrical specifications

Parameter	Condition	Availability	Standard
Frequency range			32,768kHz
Frequency stability	@ +25°C		+/- 20 ppm
Temperature tolerance	over operating temperature		-0,042 ppm/(Δ°C) ²
Operating temperature range		-40 ~ +85 °C	-10 ~ +60 °C
Storage temperature range			-40 ~ +85 °C
Shunt capacitance			2pF
Motional capacitance			4fF max.
Load capacitance			12,5pF
Drive level			1μW
Aging	@ +25°C, per year	-5,0 ~ +5,0ppm	

Equivalent series resistance

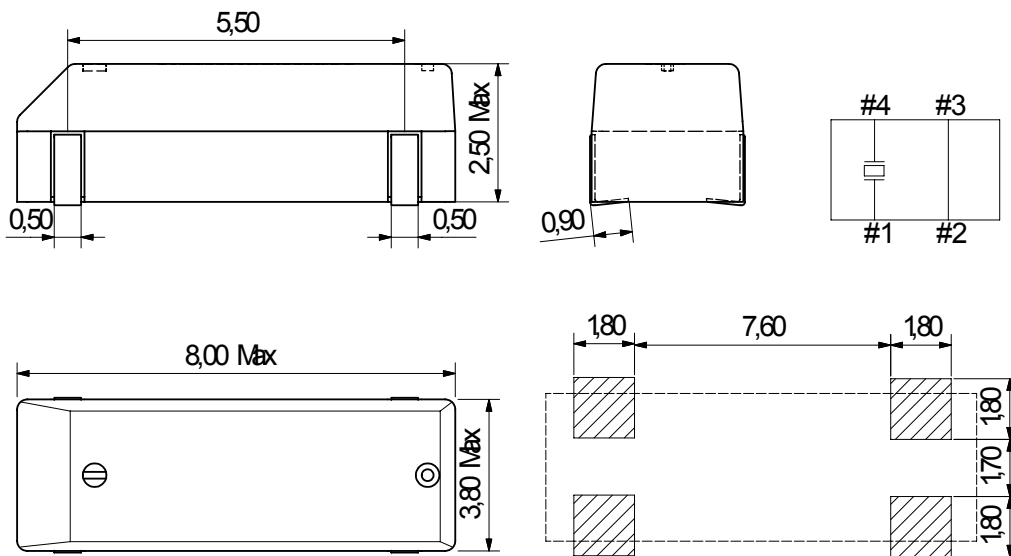
Frequency range (kHz)	Max. ESR (kΩ)
32,7680	50



FT4A

Package: plastic
rohs compliant

Mechanical dimensions (mm)

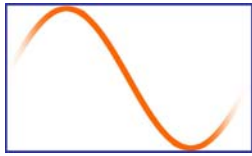


Ordering key

Type	- frequency	/ operating teperature
FT4A	value in kHz	16 = -10°C~+60°C
		27 = -20°C~+70°C
		48 = -40°C~+85°C

Ordering key example:

FT4A- 32,7680/27



FREQTECH[®]
your first and second source