

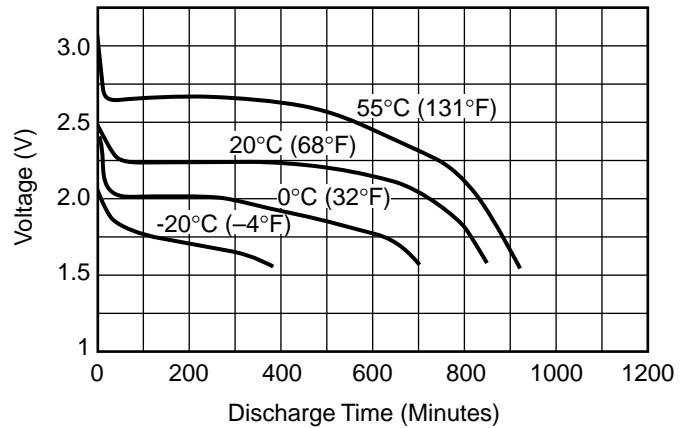
GP Batteries

Data Sheet

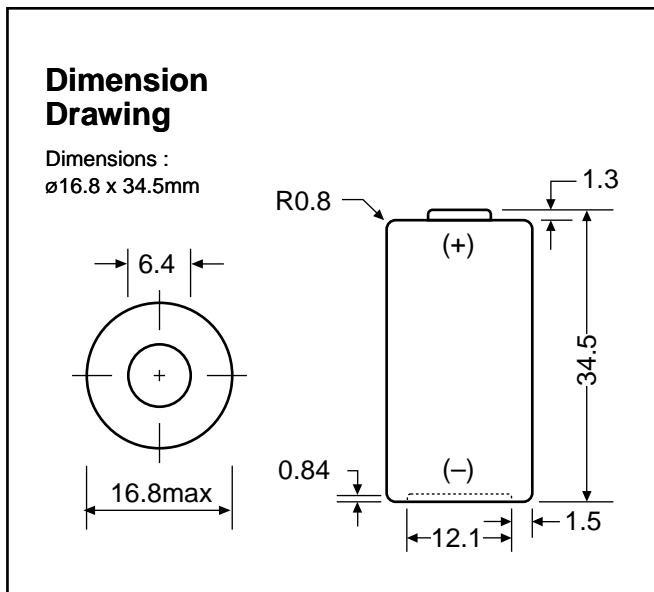
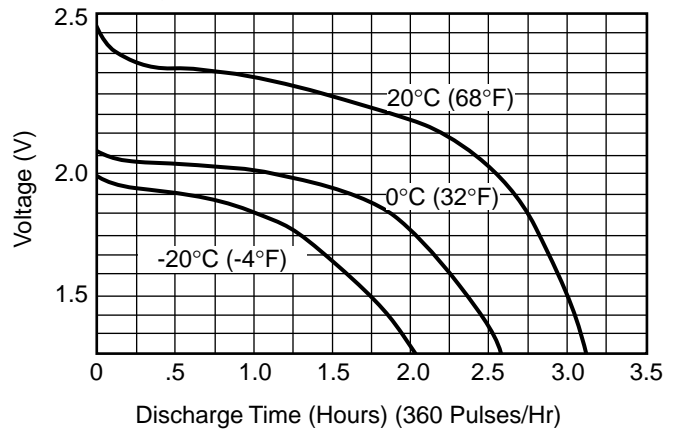
Model No.: GPCR123A

Description : Lithium Battery, 2/3A size
 Chemical system : Lithium Manganese Dioxide
 Nominal voltage : 3 Volts
 Nominal capacity : 1400mAh
 Dimensions : $\varnothing 16.8 \times 34.5$ mm
 Terminals : Flat, Recessed Negative Terminal
 Jacket : PVC Resin Label
 Shelf life : 5 years
 Average weight : App. 17 grams
 Application : Photo

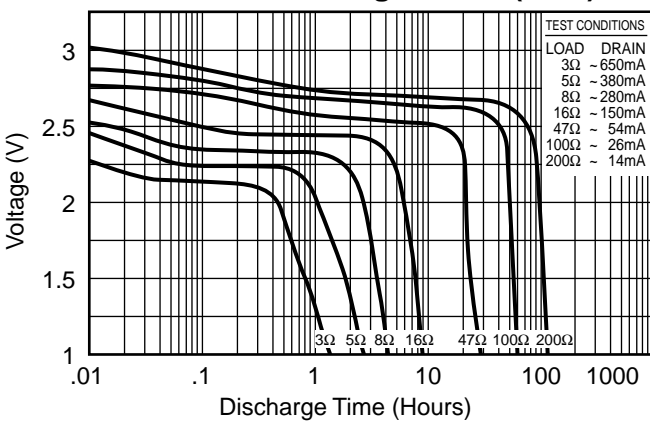
Discharge Characteristics
900mA, 3 seconds on / 27 seconds off



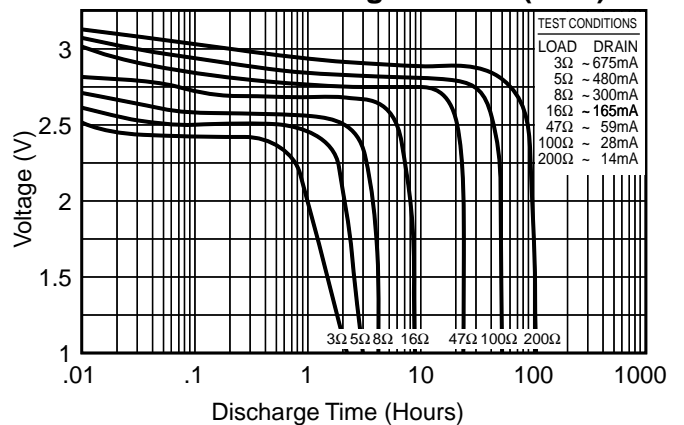
1.2A, 3 seconds on / 7 seconds off



Continuous discharge at 0°C (32°F)



Continuous discharge at 20°C (68°F)



Cross Reference:

Eveready Duracell
 EL123AP DL123A

