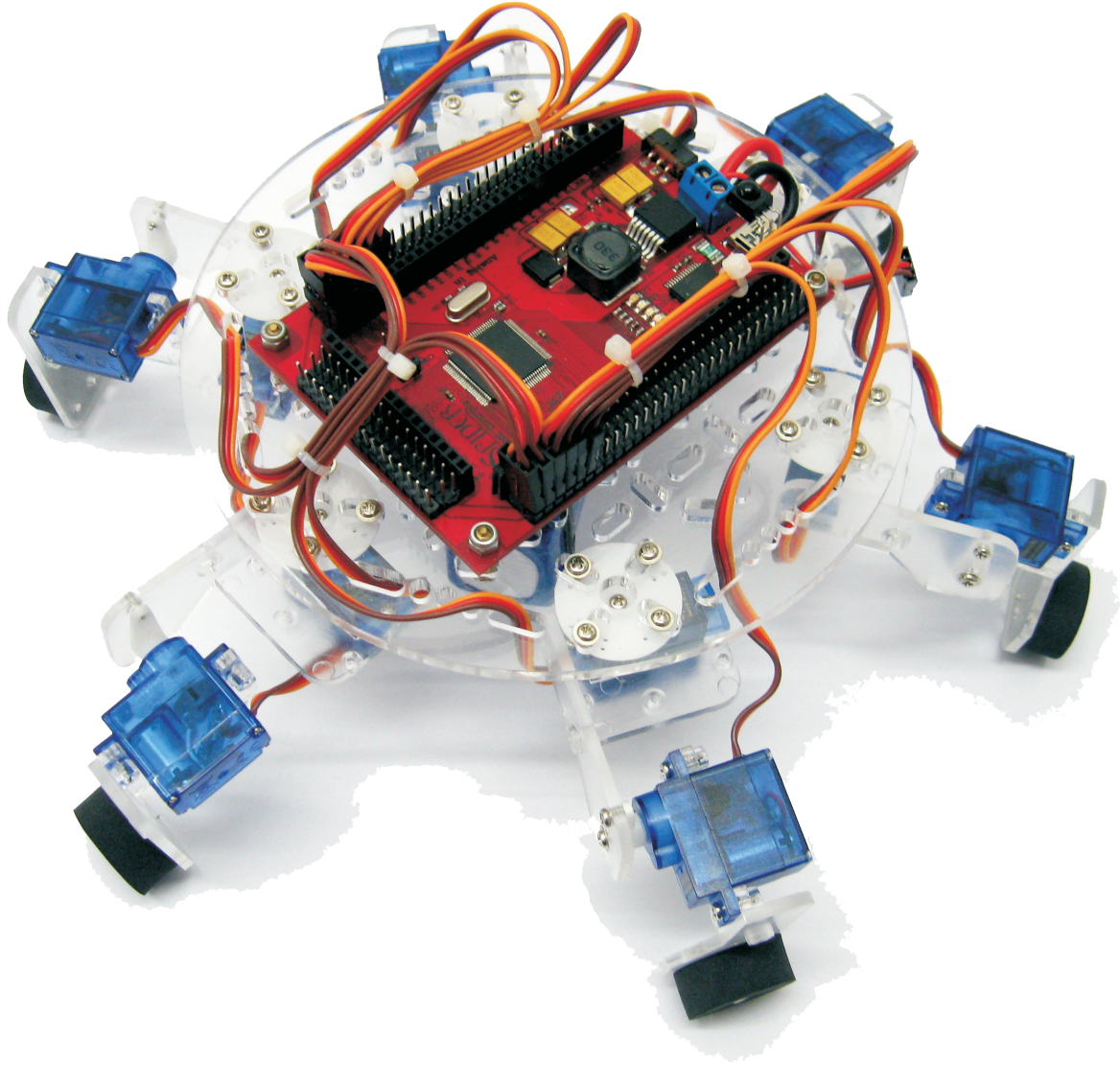


12 Servo Hexapod

ROBOT CHASSIS



RS024



The 12 DOF Hexapod robot chassis from DAGU is a simple, low cost robot chassis designed for students and novices. Simple sample code for Arduino compatible controllers allows the chassis to be driven in any direction using common TV remotes.

The kit includes:

- 1x laser cut, 4mm thick, acrylic base plate
- 12x ABS leg segments
- 6x Foam rubber feet
- 12x 9g miniature servos
- Screws needed for assembly

Recommended controller:

Although any controller can be used with this chassis we recommend the DAGU Spider controller. This controller eliminates the need for additional power supply or servo interface circuitry.

- Arduino Mega compatible with 6 timers, 128K FLASH, 8K SRAM and 4K EEPROM.
- Capable of driving up to 48 servos with all 70 I/O pins terminated with a 3 pin servo header.
- 3A, high efficiency DC-DC converter with 7V-32V input, 5V output.

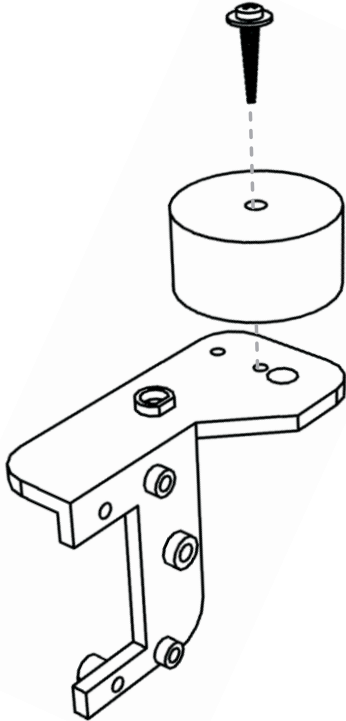


6 952581 600626

ASSEMBLY INSTRUCTIONS

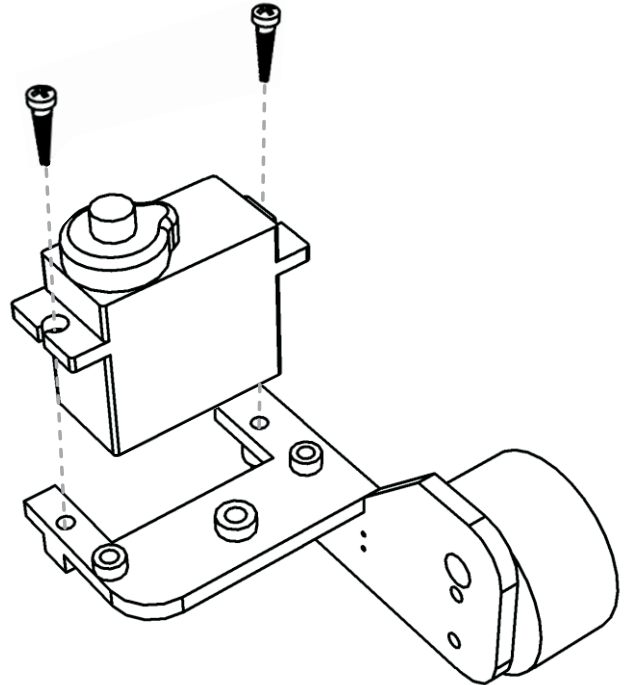
Step 1:

Mount the 6x foam rubber feet to leg segments as shown using 3mm x 12mm pan head self-tapping screws.



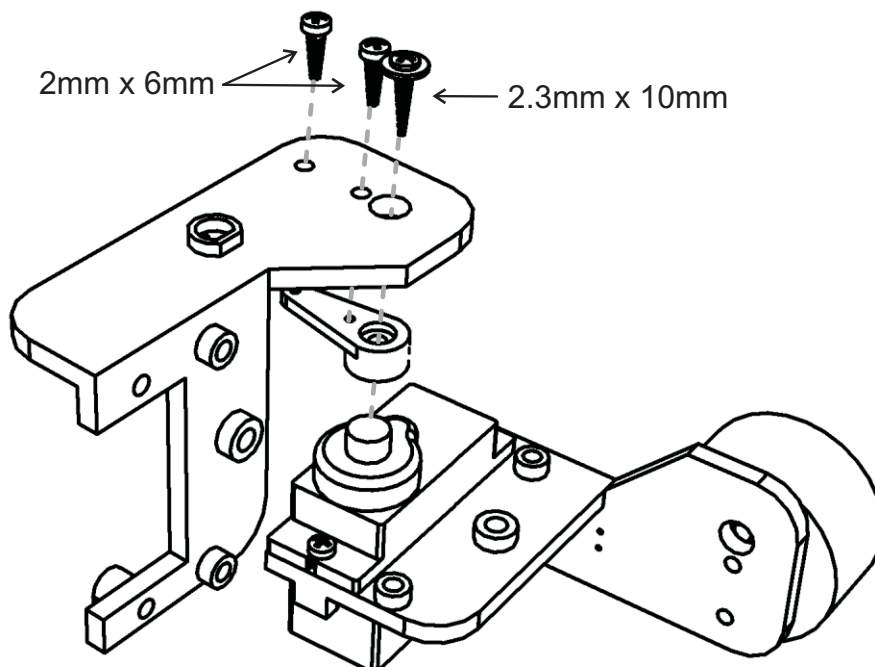
Step 2:

Mount a servo on each of the leg segments fitted with a foot as shown using 2.3mm x 8mm self-tapping screws.



Step 3:

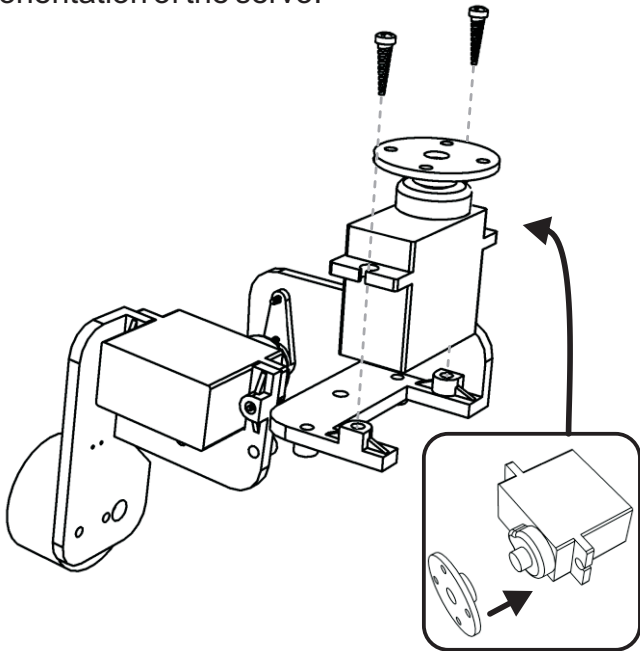
Mount a servo horn to six unused leg segments as shown using 2mm x 6mm self-tapping screws. Centre the servo and then fit the leg segment to the servo using a 2.3mm x 10mm pan head screw as shown. Gently turn the servo by hand to check the range of movement and adjust if necessary.



ASSEMBLY INSTRUCTIONS

Step 4:

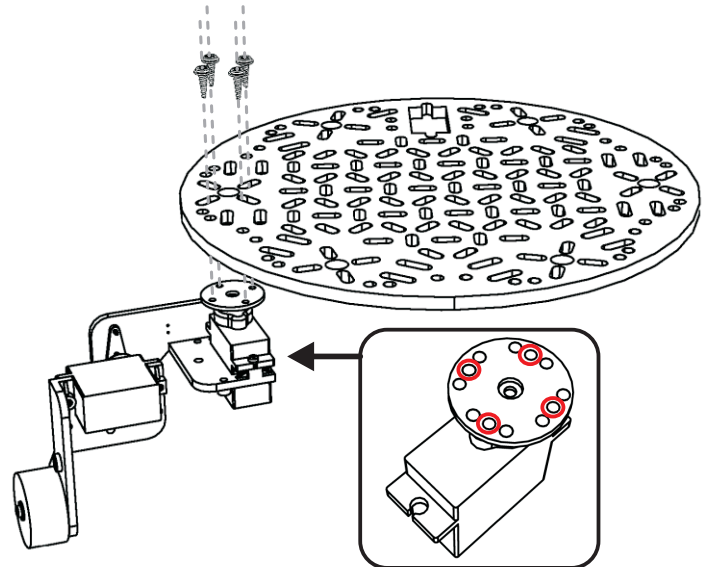
Mount six servos as shown in the diagram with 2.3mm x 8mm self-tapping screws. Note the orientation of the servo.



Fit a round servo horn to each of the six servos using a 2x6mm screw.

Step 5:

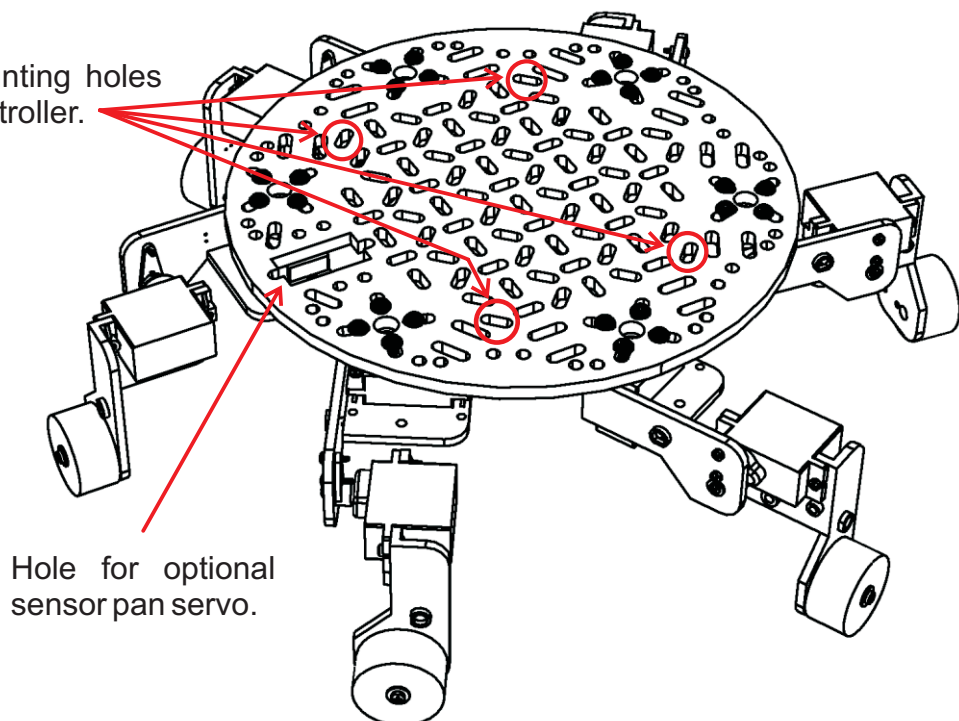
Center your servos and mount the legs onto the mounting plate using 2.3mm x 8mm pan head screws.



Step 6:

Once all your legs are mounted the chassis is finished. A rectangular hole in the base plate allows you to mount a DAGU pan / tilt kit for adding a small camera or range finding sensor.

Recommended mounting holes for DAGU Spider controller.



Hole for optional sensor pan servo.