

V I S I B L E L A S E R P R O D U C T S



(Laser Diode Module)

REV:C
DATE:2008/8/19

The HLDPM-655-(X) series laser diode module is wavelength 655nm, class II, III a, III b products with good heat consumption and low electrostatic discharge. Specially suitable for medical, lighting show, industrial and level tooling applications.

FEATURE:

- *Built in: input reverse protected and transient protected circuit.
automatic power control circuit with constant output.
- *Stable appearance size with black coating & low heat consumption.
- *Good design of anti-vibration , easily adapted to your applications.
- *Focus can be adjusted (option: focus be fixed HLDPM-655-xF).

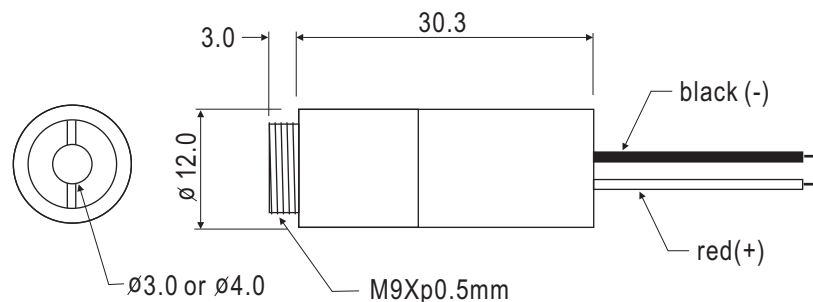
SPECIFICATIONS:

HLDPM12 - 655 - X
A B C

A: Outside diameter

A: Wavelength

B: Power



Device No	Power (mW)			Iop(mA) max	Vop (VDC)			topr
	min	typ	max		min	typ	max	
HLDPM12-655-1		0.9	0.98	50	2.5	3.0	4.0	45°C
HLDPM12-655-3	2.5	3.0	4.5	55	2.5	3.0	4.0	45°C
HLDPM12-655-5	6.0	6.5		60	2.5	3.0	4.0	45°C
HLDPM12-655-10		10.0		65	2.5	3.0	4.0	45°C
HLDPM12-655-15		10.0		75	2.5	3.0	4.0	45°C
HLDPM12-655-25		25.0		110	2.5	3.0	4.0	50°C
HLDPM12-655-40		40.0		120	2.5	3.0	4.0	45°C

Note: Specification subject to change without notice.

HUEY JANN ELECTRONICS INDUSTRY CO., LTD.