



Representative photograph, actual product appearance may vary.

Due to regional agency approval requirements, some products may not be available in your area. Please contact your regional Honeywell office regarding your product of choice.

HOA0901-012

HOA Series Infrared Transmissive Encoder Sensor, Inverting Logic Output, Two Mounting Tabs, Plastic Package

Features

- Dual channel IC
- Direct TTL interface
- Inverting logic output
- Resolution to 0.009 in [0.229 mm]
- Internal temperature compensation
- 0.126 in [3.2 mm] slot width
- Two mounting configurations

Description

The HOA0901 sensor consists of a dual channel IC detector and an IRED encased in a black thermoplastic housing. The device is typically used with an interrupter strip or disk (code wheel) to encode the rate and direction of mechanical motion. Applications include linear and rotary encoders; it is especially suited for the encoding function in an optical mouse. As the interruptive pattern moves, the detector generates two output signals which can be processed to provide speed and direction information.

The detector is a monolithic IC which consists of two narrow adjacent photodiodes, amplifiers, and Schmitt trigger output stages. The outputs are NPN collectors with internal 10 kOhm (nominal) pull-up resistors to Vcc which are capable of directly driving TTL loads. The IC design incorporates circuitry to compensate the sensitivity for the output power vs. temperature characteristic of the IRED. The sensing areas of the IC are each 0.008 in (0.203 mm) in width and 0.015 in (0.381 mm) in height with a 0.001 in (0.0254 mm) separation for a center-to-center spacing of 0.009 in (0.229 mm) and outside edge to edge distance of 0.017 in (0.432 mm).

Two package styles are available. HOA0901-011 is primarily intended for direct PCB mounting. HOA0901-012 has mounting tabs for chassis mounting. The HOA0901 series employs plastic molded components. For additional component information see SEP8506 and HLC2701.

Housing material is polycarbonate. Housings are soluble in chlorinated hydrocarbons and ketones. Recommended cleaning agents are methanol and isopropanol.



HOA0901-012

HOA Series Infrared Transmissive Encoder Sensor, Inverting Logic Output, Two Mounting Tabs, Plastic Package

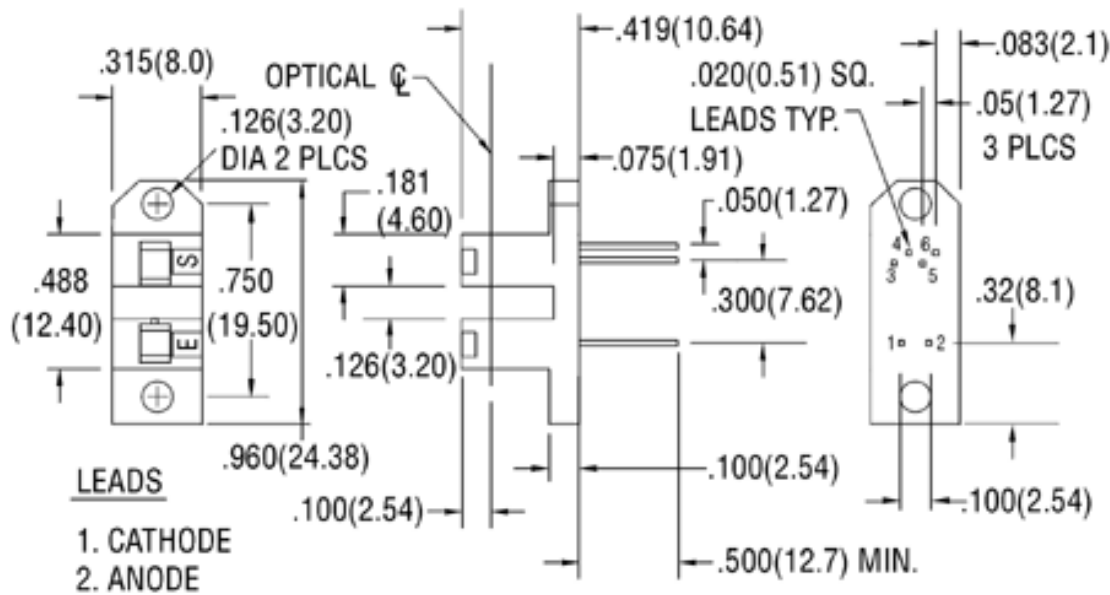
Product Specifications	
Product Type	IR Component
Turn-on Threshold Irradiance	0.05 mW/cm ² to 2.0 mW/cm ²
Output Option	Direction
Package Style	Chassis Mount
Package Components	Plastic
Continuous Forward Current	50 mA
Reverse Breakdown Voltage	3 V
Power Dissipation	100 mW
Operating Temperature Range	-40 °C to 85 °C [-40 °F to 185 °F]
Hysteresis (H)	28%
Operating Supply Voltage	4.5 V to 5.5 V
Supply Voltage	5.5 Vdc
High Level Output Voltage	2.4 V minimum
Low Level Output Voltage	0.4 V maximum
Internal Pull-up Resistor	5.0 kOhm min., 10.0 kOhm typ., 20.0 kOhm max.
Output Rise Time	100 ns
Output Fall Time	100 ns
Propagation Delay, Low-High,High-Low	5.0 μs
Duration of Output Short Vcc or Ground	1.0 second

Comment	The radiation source is IRED with a peak wavelength of 880 nm.
Availability	Global
Product Name	Encoder Sensor
Resolution	0,03 mm [0.009 in]

Honeywell

HOA0901-012

HOA Series Infrared Transmissive Encoder Sensor, Inverting Logic Output, Two Mounting Tabs, Plastic Package



Honeywell

HOA0901-012

HOA Series Infrared Transmissive Encoder Sensor, Inverting Logic Output, Two Mounting Tabs, Plastic Package

 WARNING

PERSONAL INJURY

DO NOT USE these products as safety or emergency stop devices, or in any other application where failure of the product could result in personal injury.

Failure to comply with these instructions could result in death or serious injury.

 WARNING

MISUSE OF DOCUMENTATION

- The information presented in this product sheet (or catalog) is for reference only. DO NOT USE this document as product installation information.
- Complete installation, operation and maintenance information is provided in the instructions supplied with each product.

Failure to comply with these instructions could result in death or serious injury.