



Representative photograph, actual product appearance may vary.

Due to regional agency approval requirements, some products may not be available in your area. Please contact your regional Honeywell office regarding your product of choice.

HOA2004-001

HOA Series Transmissive Optoschmitt Sensor, Transistor Output, Plastic Package

Features

- Direct TTL interface
- Buffer logic
- Side mount package
- 0.125 in [3.18 mm] slot width

Description

The HOA2004 consists of an infrared emitting diode facing an Optoschmitt detector encased in a black thermoplastic housing. The photodetector consists of a photodiode, amplifier, voltage regulator, Schmitt trigger and an NPN output transistor with 10 kOhm (nominal) pull-up resistor. The buffer logic provides a high output when the optical path is clear, and a low output when the path is interrupted. The side mounting package is useful in applications in which the interruptive element is parallel to the mounting plane. Both emitter and detector have a 0.020 in (0.508 mm) x 0.040 in (1.02 mm) vertical aperture. The narrow aperture is ideal for use in applications in which maximum position resolution is desired. The HOA2004 employs plastic molded components. For additional component information see SEP8506 and SDP8600.

Housing material is polyester. Housings are soluble in chlorinated hydrocarbons and ketones. Recommended cleaning agents are methanol and isopropanol.



HOA2004-001

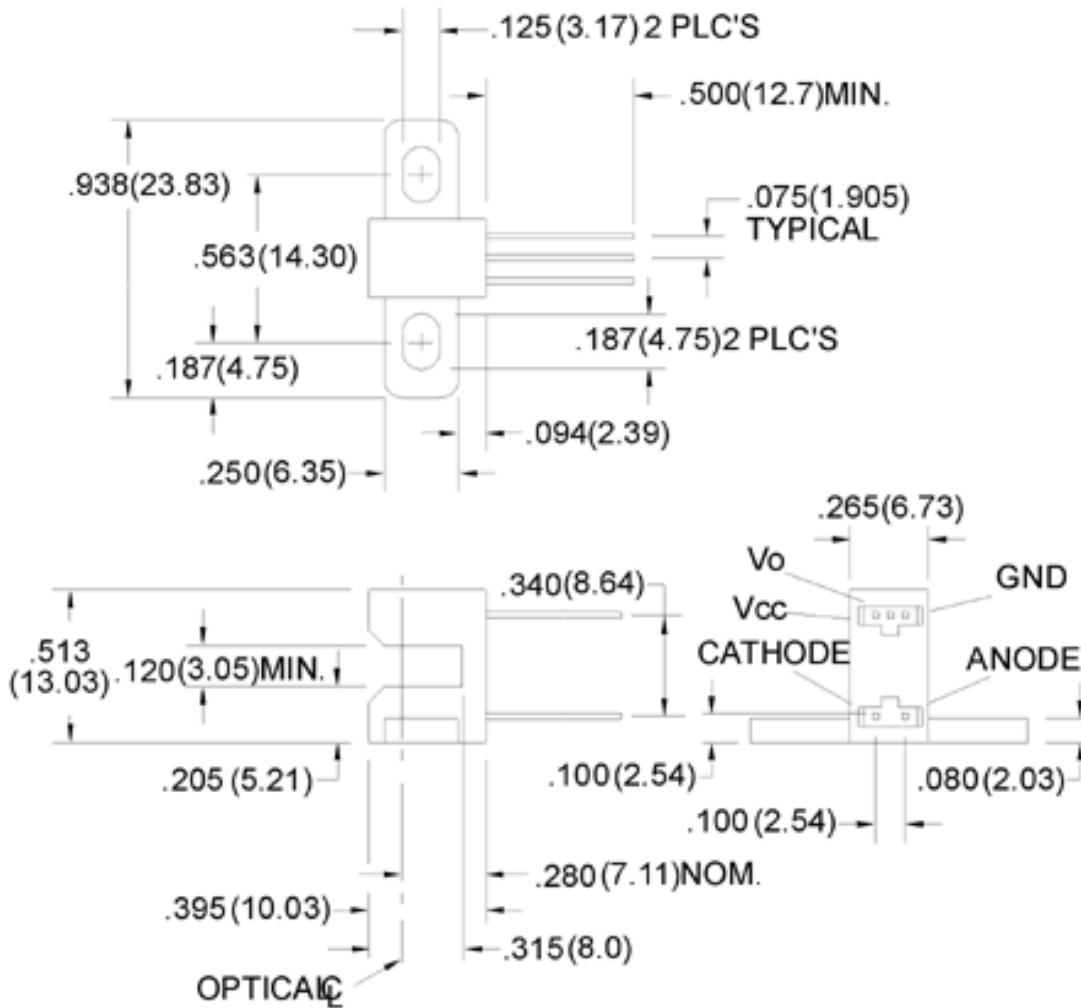
HOA Series Transmissive Optoschmitt Sensor, Transistor Output, Plastic Package

Product Specifications	
Product Type	IR Switch
Output	10 kOhm Pull-up
Output Logic	Buffer
Package Components	Plastic
Package Color	Black
Continuous Forward Current	50 mA
Forward Voltage	1.6 V
Reverse Breakdown Voltage	3 V
Reverse Current	10 μ A
Maximum Trigger Current	20 mA
Housing Material	Polyester
Power Dissipation	100 mW
Operating Temperature Range	-40 °C to 70 °C [-40 °F to 158 °F]
Hysteresis (H)	10%
Operating Supply Voltage	4.5 V to 10 V
Supply Voltage	12.0 Vdc
High Level Output Voltage	2.4 V minimum
High Level Supply Current	2.0 mA to 10 mA
Low Level Output Voltage	0.4 V maximum
Low Level Supply Current	4.0 mA to 12 mA
Output Rise Time	60 ns
Output Fall Time	15 ns
Output Sink Current	18 mA
Propagation Delay, Low-High,High-Low	5.0 μ s
Duration of Output Short Vcc or Ground	1.0 second
IRED Trigger Current	10 mA
Comment	Output is LO when incident light intensity is above the turn-on threshold level.
Availability	Global
Product Name	Optoschmitt Sensor
Sensor Aperture	1,02 mm x 0,51 mm [0.040 in x 0.020 in]
Slot Width	3,18 mm [0.125 in]



HOA2004-001

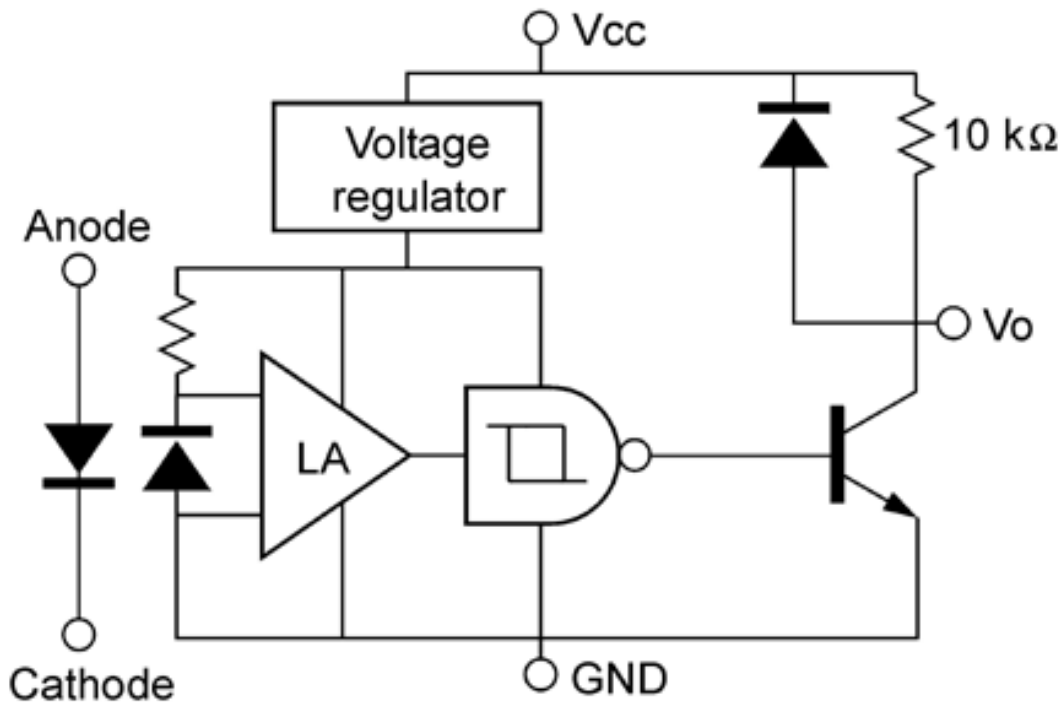
HOA Series Transmissive Optoschmitt Sensor, Transistor Output, Plastic Package



Honeywell

HOA2004-001

HOA Series Transmissive Optoschmitt Sensor, Transistor Output, Plastic Package



Honeywell

HOA2004-001

HOA Series Transmissive Optoschmitt Sensor, Transistor Output, Plastic Package

⚠ WARNING

PERSONAL INJURY

DO NOT USE these products as safety or emergency stop devices, or in any other application where failure of the product could result in personal injury.

Failure to comply with these instructions could result in death or serious injury.

 **WARNING**

MISUSE OF DOCUMENTATION

- The information presented in this product sheet (or catalog) is for reference only. **DO NOT USE** this document as product installation information.
- Complete installation, operation and maintenance information is provided in the instructions supplied with each product.

Failure to comply with these instructions could result in death or serious injury.

© Copyright Honeywell Inc. 1998-2006 All rights reserved.