



Mini Chip RGB Tube 24VDC adopts 24pcs Chip RGB SMD LED as its luminous body which is of high intensity and large beaming angle. The luminous body are set evenly on the PCB board, whose color is soft and well-mixed. Four wires come out from both ends with elegant male and female connectors.

The transparent PC housing can protect the PCB board and LEDs from being polluted by dust and damaged by something else. In this way, the whole product, which is strong and durable, can achieve waterproof rate IP44. The tube can be rotated at will to adjust direction of light with matched semicircular holder on both ends.

When controlled by DMX512 controlling system, it can realize all kinds of changing effects, such as multi-color jumping, gradual color changing, rainbow, etc. It also can be controlled by RGB Controller IMG-CT308 to realize whole color changing. It can be widely used for indoor decoration, such as cove lighting, edge lighting, small wall washing, etc.

Mini Chip RGB Tube 24VDC

Part No.:IMG-MT24RGB-S

Specification:

Size: $\Phi 16\text{mm} \times 520\text{mm}$

Weight: 72g

Beaming angle: $>120^\circ$

LED Spacing : 20 mm

Electric Specs:

IP Class: IP44

Input voltage: 24VDC

Power consumption: 1.44W*4

Power supply: Waterproof 30W-24V-1.25A;
60W-24V-2.5A; 150W-24V-6.25A
Non-waterproof 55W-24V-2.3A,
150W-24V-6.25A ; 300W-24V-12.5A

Maxium Length of One Loop: 12 meters



Green, Energy Saving

Low voltage, 24 VDC, high brightness

Conforming to International Standard

Absolutely safe and stable

Save 90% electricity compared to traditional lights

Shanghai Imagey Electronics Co., Ltd

Address: No. 1058 Deng Hui Road, Min Hang District, Shanghai, China (201109)

Tel: (86) 21-6490 8790 Fax: (86)21-6490 8780

Email: market@imagey.com [Http://www.imagey.com](http://www.imagey.com)

Tube Light Series

Longevity of Luminous Body:

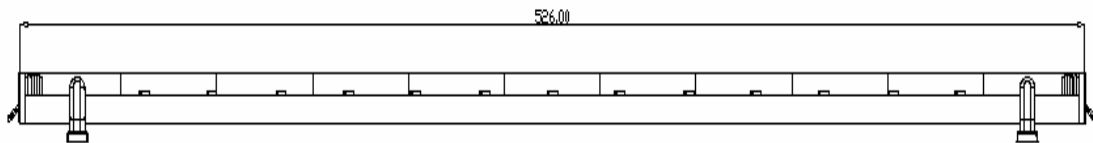
All LED lights adopt super bright LED as their luminous body. Theoretically, the longevity of LED could be 50,000-100,000 MTBF(Mean Time Between Failure: average fault-free time, the standard usually measured by manufacturer of traditional lights).Like traditional lighting products, the lumen of LED will also decrease as time goes on. LED lumen is influenced by environmental factors such as temperature, humidity, and ventilation condition. It also could be impacted by its design on heat sinking, current control, etc. To some extent, these factors are the main ones on LED longevity.

Diagram: (unit: mm)

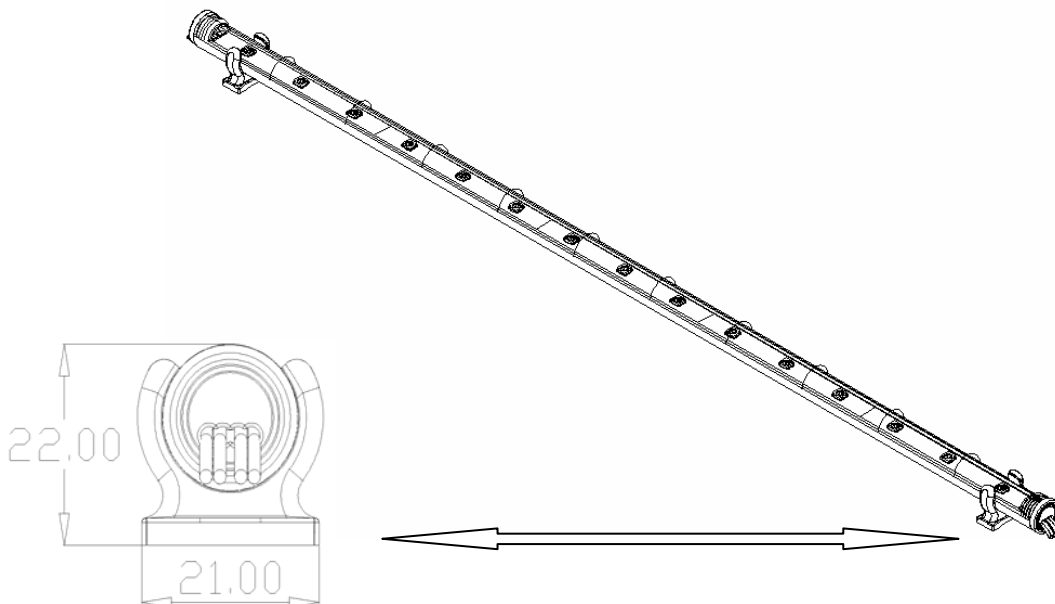
Top View



Side View

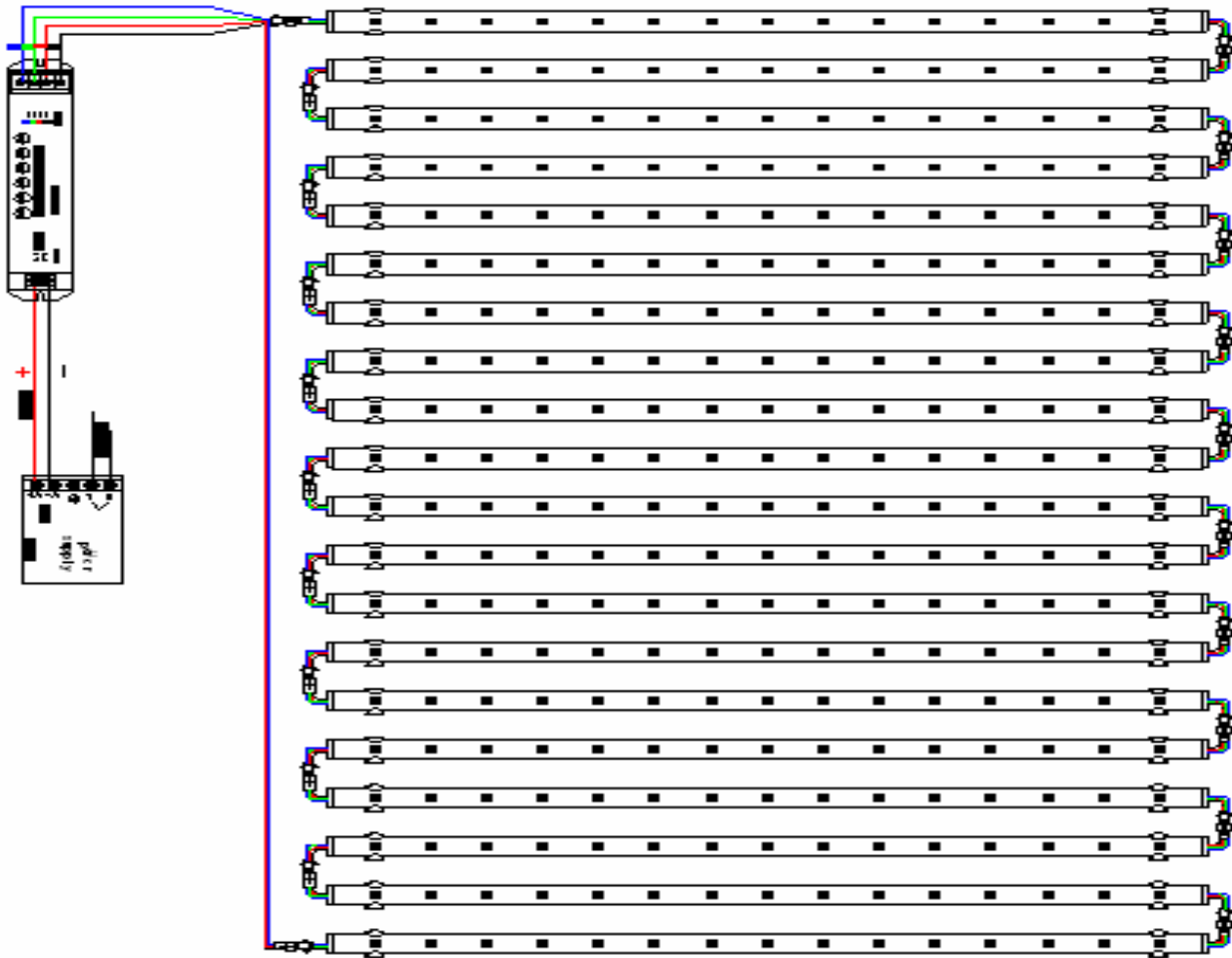


Top-Side View



Shanghai Imagey Electronics Co., Ltd
 Address: No. 1058 Deng Hui Road, Min Hang District, Shanghai, China (201109)
 Tel: (86) 21-6490 8790 Fax: (86)21-6490 8780
 Email: market@imagey.com [Http://www.imagey.com](http://www.imagey.com)

Connecting Diagram:



ATTENTION

To ensure the longevity and stability of Mini CHIP RGB Tube, please do not hit or beat it forcibly.



WARNING

- * Do not touch INPUT PORT when power is on.
- * Please leave 20% power free to protect the brightness of tube light from being influenced by environments.
- * Install this tube light at desired installation spot.
- * Please note the negative and positive polarity when you link wires of power supply to avoid short circuit.
- * Make sure the output voltage of power supply is of the same with the tube light's operating voltage.

Shanghai Imagey Electronics Co., Ltd
Address: No. 1058 Deng Hui Road, Min Hang District, Shanghai, China (201109)
Tel: (86) 21-6490 8790 Fax: (86)21-6490 8780
Email: market@imagey.com [Http://www.imagey.com](http://www.imagey.com)