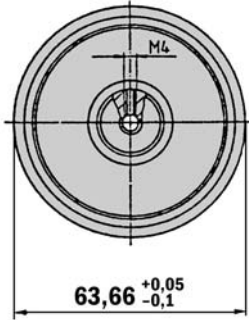


## Dimensional drawings and order information

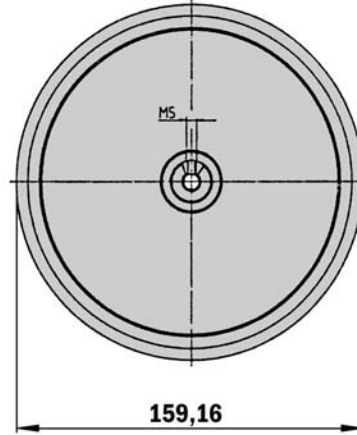
Measuring wheel for encoder shafts with diameter 10 mm, type material plastic (Hytrel), wheel material plastic with aluminium hub

Type	Order no.	Circumference
BEF-MR-010020	5 312 988	0.2 m



Measuring wheel for encoder shafts with diameter 10 mm, type material plastic (Hytrel), wheel material plastic with aluminium hub

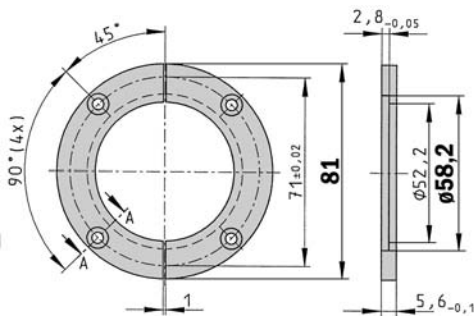
Type	Order no.	Circumference
BEF-MR-010050	5 312 989	0.5 m



## Servo clamps

Servo clamps half ring, Set (comprises 2 pieces) for servo flanges with spigot diameter 50 mm for ARS 60, DRS 60, DGS 60, DGS 65, DGS 66, ATM 60

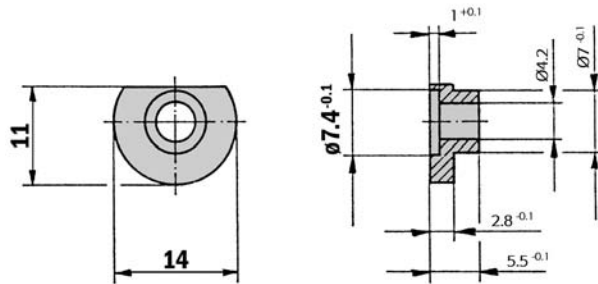
Type	Order no.
BEF-WG-SF050	2 029 165



General tolerances according to DIN ISO 2768-mk

Servo clamps small, Set (comprises 3 pieces) for servo flanges for ARS 60, DRS 60, DGS 60, DGS 65, DGS 66, ATM 60, DKS 40

Type	Order no.
BEF-WK-SF	2 029 166



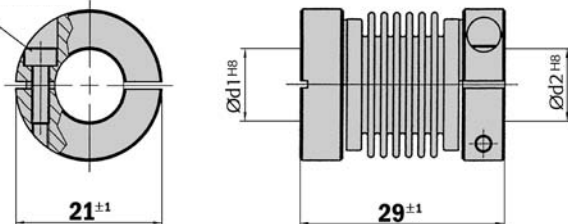
General tolerances according to DIN ISO 2768-mk

## Couplings

Bellows coupling, max. shaft offset radial  $\pm 0.3$  mm, axial 0.4 mm, angle  $\pm 4$  degrees, torsion spring stiffness 120 Nm/rad, bellows of stainless steel, hubs of aluminium. For ARS 60, DRS 60, DGS 60, DGS 65, DGS 66, ATM 60, ATM 90

Type	Order no.	Shaft diameter
KUP-0606-B	5 312 981	6 mm - 6 mm
KUP-0610-B	5 312 982	6 mm - 10 mm
KUP-1010-B	5 312 983	10 mm - 10 mm
KUP-1012-B	5 312 984	10 mm - 12 mm

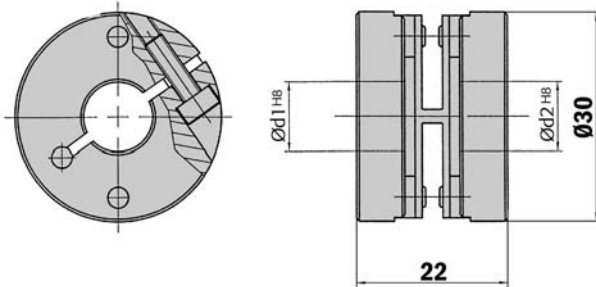
Cheese-head screw  
M2,5x8 DIN912 A2



**Dimensional drawings and order information**

**Spring-disc coupling, max. shaft offset radial  $\pm 0.3$  mm, axial 0.4 mm, angle  $\pm 2.5$  degrees, torsion spring stiffness 50 Nm/rad, flange of stainless steel, spring-discs of glass-fibre-reinforced plastic. For ARS 60, DRS 60, DGS 60, DGS 65, DGS 66, ATM 60, ATM 90**

Type	Order no.	Shaft diameter
KUP-0610-F	5 312 985	6 mm - 10 mm
KUP-1010-F	5 312 986	10 mm - 10 mm

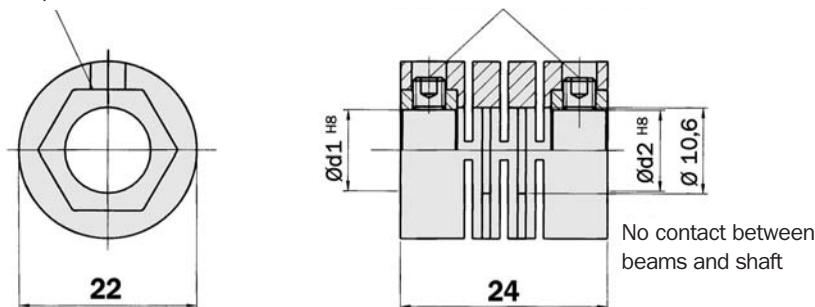


General tolerances according to DIN ISO 2768-mk

**Beam coupling max. shaft displacement radially  $\pm 0.3$  mm, axially  $\pm 0.2$  mm, angular  $\pm 3$  degrees, torsional rigidity 38 Nm/rad, body: fibre glass reinforced polyamide, hubs made of brass for DKS 40**

Type	Order no.	Type shaft diameter
KUP-0608-S	5 314 179	6 mm ... 8 mm
KUP-0808-S	5 314 177	8 mm ... 8 mm
KUP-0810-S	5 314 178	8 mm ... 10 mm

Shaft clamped around its circumference Cheese-head screw M 4 x 4 DIN916



**Collets**

Collets for blind hollow shaft for ARS 60, DRS 60, ATM 60		
Type	Order no.	Shaft diameter
SPZ-006-AD-A	2 029 174	6 mm
SPZ-1E4-AD-A	2 029 175	1/4"
SPZ-008-AD-A	2 029 176	8 mm
SPZ-3E8-AD-A	2 029 177	3/8"
SPZ-010-AD-A	2 029 178	10 mm
SPZ-012-AD-A	2 029 179	12 mm
SPZ-1E2-AD-A	2 029 180	1/2"

Collets for through hollow shaft for ARS 60, DRS 60		
Type	Order no.	Shaft diameter
SPZ-006-AD-D	2 029 192	6 mm
SPZ-1E4-AD-D	2 029 193	1/4"
SPZ-008-AD-D	2 029 194	8 mm
SPZ-3E8-AD-D	2 029 195	3/8"
SPZ-010-AD-D	2 029 196	10 mm
SPZ-012-AD-D	2 029 197	12 mm
SPZ-1E2-AD-D	2 029 198	1/2"

Collets for DGS65 blind hollow shaft encoder		
Type	Order no.	Shaft diameter
SPZ-006-DD65-A	2 029 181	6 mm
SPZ-008-DD65-A	2 029 182	8 mm
SPZ-010-DD65-A	2 029 183	10 mm
SPZ-011-DD65-A	2 019 043	11 mm
SPZ-012-DD65-A	2 029 184	12 mm
SPZ-3E8-DD65-A	2 039 227	3/8"

Collets for DGS66 through hollow shaft encoder		
Type	Order no.	Shaft diameter
SPZ-006-DD66-A	2 029 185	6 mm
SPZ-008-DD66-A	2 029 186	8 mm
SPZ-010-DD66-A	2 029 187	10 mm
SPZ-012-DD66-A	2 029 188	12 mm
SPZ-1E2-DD66-A	2 029 189	1/2"
SPZ-014-DD66-A	2 029 190	14 mm
SPZ-015-DD66-A	2 029 191	15 mm