

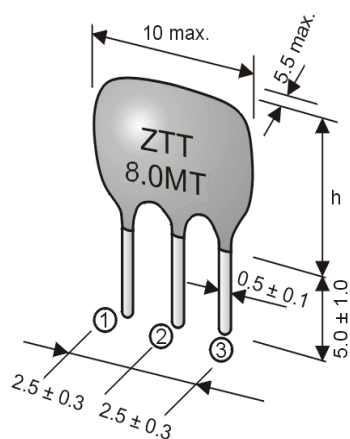
## CERAMIC RESONATOR

KX-ZTT series

Built-in capacitor types

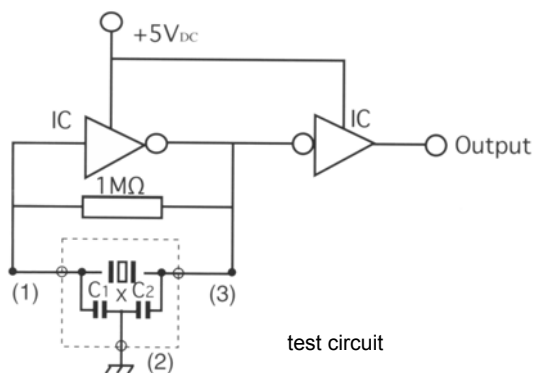
model	KX-ZTT MT
Frequency range	8,0 ~ 13,0 MHz
internal capacitance C <sub>1</sub> , C <sub>2</sub>	22 pF
frequency tolerance at +25°C	± 0,5%
frequency stability at -20° ~ +80°C	± 0,3%
aging for 10 years	± 0,3%
resonant resistance max.	30 Ohm
test circuit IC	1/6 CD 4069 UBEX2
height (h) max.	10,0 mm
RoHS *	started from date code May, 2005
packing unit	500 pcs.
part no.	12.99500 ~ 12.99900

\* Please note for Ceramic Resonators our "Precautions for Handling"



**CONNECTION**

- ① Input
- ② Ground
- ③ Output



test circuit