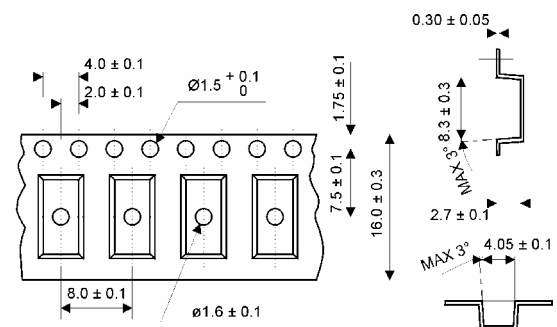
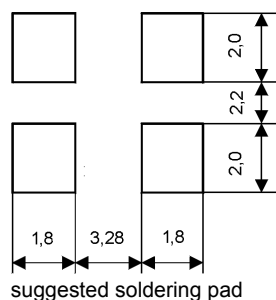
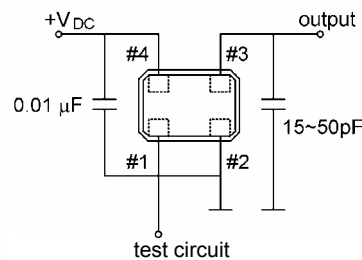
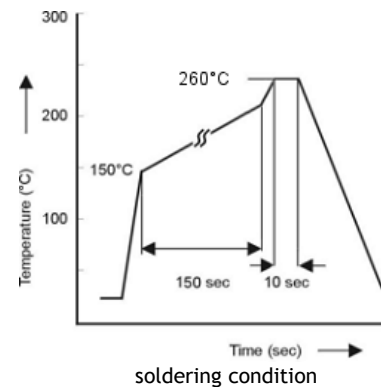
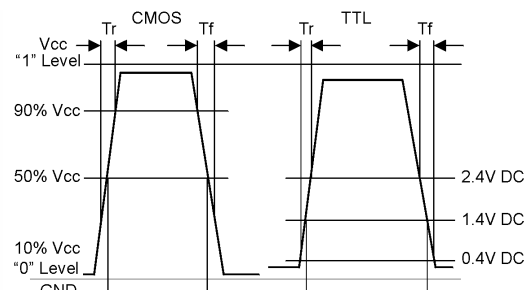
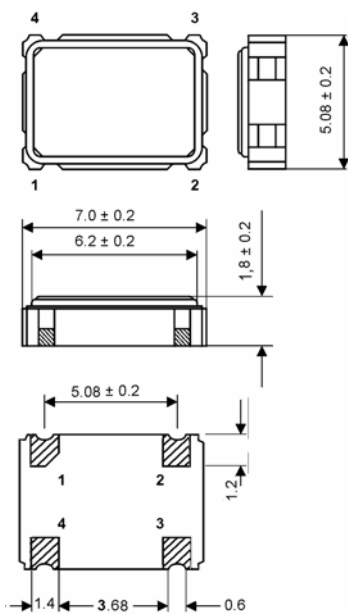


Clock Oscillator SMD-version

+1,8 / +2,5 / +3,0 / +3,3V

model	KXO-V97
frequency range	80,1 ~ 160,0 MHz
frequency stability at -20° ~ +70° C at -40° ~ +85° C	± 50 ppm ± 100 ppm
operating temperature	standard -20° ~ +70° C available -40° ~ +85° C (=KXO-V97T)
storage temperature	-40° ~ +85° C
symmetry	50% ± 10% at ½ Vcc level
rise & fall time max.	2,5 ns
"0" level max.	+ 0,4V
"1" level min.	Vcc -0,5V
input voltage Vcc	standard + 3,3V ± 10% available +1,8V ± 5% / +2,5V ± 5% / +3,0V ±10%
input current max.	40 mA
output load	15 pF
start up time max.	4 ms
tristate funcion	yes
disable delay time	100 ns max.
enable delay time	4 ms max.
random jitter	7ps max.
peak to peak jitter	40ps max.
contents of reel	1000 pcs.
RoHS	since production start
part no.	12.94200 ~ 12.94599



PIN	CONNECTION
1	"L" (OV) "H" or OPEN
2	GND
3	Z OUTPUT
4	Vcc

Z: high impedance

reel diameter 330 mm