

BATTERY MANUFACTURER  
WORLDWIDE TECH SUPPORT





# Company Introduction

- EEMB is a professional manufacturer of primary & rechargeable lithium battery: Li-SOCl<sub>2</sub>, Li-MnO<sub>2</sub>, Li-SO<sub>2</sub>, Li-ion, Li-Polymer battery, Ni-MH battery, Super Capacitor and Solar Panel.
- EEMB emphasizes the application of the latest technology and systematic management and is dedicated to providing products and services up to and beyond customers' expectations in a timely and reliable manner.
- EEMB is ISO9001 certified, the products are UL, UN, ROHS recognized.
- Founded in 1995, EEMB has been approved as qualified supplier by many international brand-name enterprises.
- EEMB battery is widely applied in power tools, toys, home appliances, OA equipments, lighting, communication system, medical instruments, military equipments, and etc.
- For customers' convenience, battery are available with different battery holders, Terminals, packs.
- EEMB battery is your best choice for both performance and cost.



# Contents

Li-SOCl <sub>2</sub> Battery.....	1-2
(ER/TL/LS/SL/XL/SB)	
Li-MnO <sub>2</sub> Battery.....	3-5
(CR/LM/DL)	
Li-SO <sub>2</sub> Battery.....	6
Li-Polymer Battery.....	7-12
(LP/PLF/LPP/LPF/UBC/UP/ICP)	
Li-ion Battery.....	13-14
Ni-MH Battery.....	15-16
Solar Panel.....	17-18
Super Capacitor.....	19
Battery Pack.....	20
Available Terminals.....	21-23
Battery Holder.....	24



# Li-SOCl<sub>2</sub> Battery *Lithium Thionyl Chloride Battery*



## Primary

### Energy Type (Cylindrical)

Model	Size	Nominal Voltage (V)	Nominal Capacity (mAh)	Standard Discharge Current (mA)	Max. Discharge Current (mA)		Diameter (mm)	Height (mm)	Approx. Weight(g)
					Conts.	Pulse			
ER10250	—	3.6	400	0.5	5	10	10.2	25.7	3.8
ER10450	AAA	3.6	700	1.0	5	30	10.2	46.2	8.0
ER13150	—	3.6	450	0.5	10	30	13.0	15.0	6.0
ER13170	—	3.6	450	0.5	10	30	13.0	17.5	6.0
ER14250	1/2AA	3.6	1200	0.5	40	80	14.5	25.2	11.0
ER14335	2/3AA	3.6	1650	1.3	75	150	14.5	33.5	13.0
ER14505	AA	3.6	2400	2.0	100	200	14.5	50.5	22.0
ER17335	2/3A	3.6	2100	2.0	100	200	17.0	33.5	21.0
ER17505	A	3.6	3400	2.0	100	200	17.5	50.5	25.0
ER18505	—	3.6	4000	2.0	120	200	18.8	50.5	30.0
ER20505	—	3.6	4200	2.0	120	250	20.0	50.5	33.0
ER26500	C	3.6	9000	2.0	200	400	26.2	50.0	53.0
ER34615	D	3.6	19000	2.0	230	500	34.0	61.5	115.0
ER341245	DD	3.6	36000	2.0	450	1000	34.0	124.5	200.0
ER9V	—	10.8	1200	1.0	35	100	16.9 x 26.0 x 48.8		40.0

### Energy Type (Button)

ER2450	—	3.6	500	0.5	4	10	24.5	5.0	10.0
ER34070	1/10D	3.6	1000	1.0	10	20	32.9	7.0	17.0
ER34100	1/6D	3.6	1700	1.0	15	20	32.9	10.0	22.0

### Computer Back-up

ER14250-CB	1/2AA	3.6	1200	0.5	40	80	16.7	28.5	11.0
ER14505-CB	AA	3.6	2400	2.0	100	200	16.6	54.5	22.0
ER26500-CB	C	3.6	9000	2.0	200	400	30.0 x 30.0 x 56.0		55.0

#### Features:

- Wide Temperature Range from -55°C to +85°C.
- Superior Shelf Life and Reliability: over 10 years at room temperature and self-discharge rate is less than 1% of its nominal capacity per year.
- Energy type is bobbin structure and best suit for low current discharges. It may require depassivation before medium currents can be delivered.

# Li-SOCl<sub>2</sub> Battery *Lithium Thionyl Chloride Battery*



## Primary

### High Power

Model	Size	Nominal Voltage (V)	Nominal Capacity (mAh)	Standard Discharge Current (mA)	Max. Discharge Current (mA)		Diameter (mm)	Height (mm)	Approx. Weight(g)
					Conts.	Pulse			
ER14250M	1/2AA	3.6	750	4.0	120	250	14.5	25.2	10.0
ER14335M	2/3AA	3.6	1200	4.0	300	500	14.5	33.5	13.0
ER14505M	AA	3.6	1800	10.0	500	1000	14.5	50.5	22.0
ER17335M	2/3A	3.6	1700	10.0	500	1000	17.5	33.5	21.0
ER18505M	A	3.6	3200	10.0	1000	2000	18.8	50.5	30.0
ER20505M	—	3.6	3600	10.0	1000	2000	20.0	50.5	35.0
ER26500M	C	3.6	6500	10.0	1000	2000	26.2	50.0	53.0
ER34615M	D	3.6	14000	10.0	2000	3000	34.0	61.5	118.0

#### Features:

- Wide Temperature Range from -55°C to +85°C.
- Superior Shelf Life and Reliability: over 10 years at room temperature and self-discharge rate is less than 1% of its nominal capacity per year.
- High Power type is spiral structure and best suit for high current discharge for both continuous & pulse currents. It may require depassivation before medium currents can be delivered.

### High Temperature

Model	Size	Nominal Voltage (V)	Nominal Capacity (mAh)	Standard Discharge Current (mA)	Max. Discharge Current (mA)	Diameter (mm)	Height (mm)	Approx. Weight(g)
ER14250S	1/2AA	3.6	500	50	50	14.5	25.0	10.0
ER14505S	AA	3.6	1600	100	100	14.5	50.5	19.0
ER17335S	2/3A	3.6	1500	100	500	17.5	33.5	22.0
ER26500S	C	3.6	4800	35	100	26.2	50.0	60.0
ER34615S	D	3.6	10500	35	200	34.0	61.5	110.0
ER251020S	CC	3.6	1000	200	500	25.0	102.0	102.0
ER341245S	DD	3.6	21000	200	1000	34.0	124.5	200.0

#### Features:

- Extension of temperature range up to +150°C.
- Smaller in capacity.
- Superior shelf life and high reliability.

# Li-MnO<sub>2</sub> Battery *Lithium Manganese Dioxide Battery*



**Primary**

## High Power Spiral Structure Laser-Sealing

Model	Size	Nominal Voltage (V)	Nominal Capacity (mAh)	Standard Discharge Current (mA)	Max. Discharge Current (mA)		Diameter (mm)	Height (mm)	Approx. Weight(g)
					Conts.	Pulse			
CR14250SL	1/2AA	3.0	650	1.0	800	1500	14.5	25	10.0
CR14335SL	2/3AA	3.0	900	1.0	1000	2000	14.5	33.5	14.0
CR14505SL	AA	3.0	1500	1.0	2000	3000	14.5	50.5	21.0
CR2SL	–	3.0	800	5.0	1000	2000	15.5	27	13.0
CR123ASL	–	3.0	1500	1.0	1000	3000	17.0	34.5	20.0
CR17285SL	–	3.0	1000	10.0	800	1500	17.0	28.5	16.0
CR17335SL	2/3A	3.0	1500	1.0	1000	3000	17.0	33.5	20.0
CR17450SL	–	3.0	2200	1.0	1500	3500	17.0	45	26.0
CR17505SL	A	3.0	2500	10.0	1500	3500	17.0	50.5	30.0
CR18505SL	–	3.0	2800	1.0	2000	3000	18.0	50.5	35.0
CR20505SL	–	3.0	2800	10.0	2000	3000	20.0	50.0	35.0
CR26500SL	C	3.0	5000	10.0	2000	3000	26.0	50.0	62.0
CR26600SL	–	3.0	6000	10.0	1500	3000	26.0	60.0	78.0
CR34615SL	D	3.0	10000	10.0	2000	3000	34.0	61.5	125.0
2CR5SL	–	6.0	1500	1.0	1500	3500	34.0X17.0X45.0		43.0
CR-P2SL	–	6.0	1500	1.0	1500	3500	35.8X19.5X34.8		42.0

### Features:

- High Power Cylindrical Type; Spiral Structure, Laser-Sealing.
- Wide Temperature Range from -40°C to +70°C ; High Energy Density.
- Long Shelf Life: over 10 years at room temperature and self-discharge rate is less than 1% of its nominal capacity per year.
- The battery is spirally wound. Best suited for high current discharge for both continuous and pulse currents.



# Li-MnO<sub>2</sub> Battery *Lithium Thionyl Chloride Battery*



## Primary

### High Capacity Type Bobbin Structure Laser-Sealing

Model	Size	Nominal Voltage (V)	Nominal Capacity (mAh)	Standard Discharge Current (mA)	Max. Discharge Current (mA)		Diameter (mm)	Height (mm)	Approx. Weight(g)
					Conts.	Pulse			
CR10450BL	—	3.0	850	0.5	10	100	10	45	10.0
CR14250BL	1/2AA	3.0	900	0.5	7	70	14.5	25	11.0
CR14335BL	2/3AA	3.0	1100	0.5	8	80	14.5	33.5	16.0
CR14505BL	AA	3.0	1800	0.5	10	100	14.5	50.5	22.0
CR17335BL	2/3A	3.0	1800	1.0	10	100	17.0	33.5	22.0
CR17450BL	—	3.0	2400	1.0	15	150	17.0	45	28.0

#### Features:

- Cylindrical High Capacity Type; Bobbin Structure, Laser-Sealing.
- Wide Temperature Range from -40°C to +70°C ; High Energy Density.
- Long Shelf Life: over 10 years at room temperature and self-discharge rate is less than 1% of its nominal capacity per year.
- The battery is bobbin type and best suited for long-term use with low current.

### High Power Type Spiral Structure Crimp-Sealing

Model	Size	Nominal Voltage (V)	Nominal Capacity (mAh)	Standard Discharge Current (mA)	Max. Discharge Current (mA)		Diameter (mm)	Height (mm)	Approx. Weight(g)
					Conts.	Pulse			
CR425	—	3.0	25	0.5	3	15	4.1	25.0	0.7
CR435	—	3.0	50	1.0	5	25	4.1	35.0	0.9
CR1/3N	1/3N	3.0	160	1.0	5	80	11.5	10.5	3.3
2CR1/3N	—	6.0	160	1.0	5	80	12.2	24.7	8.0
CR14250SC	1/2AA	3.0	650	20.0	800	1500	14.0	25.0	10.0
CR14505SC	AA	3.0	1500	20.0	2000	2500	14.5	50.5	15.0
CR2	—	3.0	750	10.0	800	1500	15.3	26.9	11.0
CR123A	—	3.0	1300	10.0	1000	3000	16.7	34.2	17.0
CR17450SC	—	3.0	2200	20.0	1000	3000	17.0	45.0	24.0
2CR5	—	6.0	1300	10.0	1000	3000	34.0 x 17.0 x 45.0		43.0
CR-P2	—	6.0	1300	10.0	1000	3000	35.0 x 19.5 x 36.0		41.0
CR-V3	—	3.0	2700	20.0	2000	2500	28.6 x 14.4 x 52.2		35.0

#### Features:

- High Power Cylindrical Type.
- Spiral Structure, Crimp Sealing.
- Wide Temperature Range from -20°C to +60°C.
- The battery is spirally wound and best suited for high current discharge for both continuous and pulse current.

# Li-MnO<sub>2</sub> Battery *Lithium Manganese Dioxide Battery*



## Primary

### Button Type

Model	Nominal Voltage (V)	Nominal Capacity (mAh)	Standard Discharge Current (mA)	Max. Discharge Current (mA)		Diameter (mm)	Height (mm)	Approx. Weight(g)
				Conts.	Pulse			
CR1025	3.0	30	0.1	0.5	5	10.0	2.5	0.6
CR1216	3.0	25	0.2	1.0	5	12.5	1.6	0.7
CR1220	3.0	40	0.2	1.0	5	12.5	2.0	0.8
CR1225	3.0	50	0.2	1.0	5	12.5	2.5	1.0
CR1616	3.0	50	0.2	2.0	10	16.0	1.6	1.2
CR1620	3.0	70	0.2	2.0	10	16.0	2.0	1.3
CR1632	3.0	120	0.4	2.0	10	16.0	3.2	1.6
CR2016	3.0	75	0.4	2.0	10	20.0	1.6	1.7
CR2025	3.0	150	0.4	3.0	15	20.0	2.5	2.4
CR2032	3.0	210	0.4	3.0	15	20.0	3.2	3.0
CR2330	3.0	260	0.5	3.0	20	23.0	3.0	4.0
CR2354	3.0	500	0.5	3.0	20	23.0	5.4	5.7
CR2430	3.0	270	0.5	3.0	20	24.5	3.0	4.3
CR2450	3.0	550	0.5	3.0	20	24.5	5.0	6.2
CR2477	3.0	850	0.4	2.0	10	24.5	7.7	8.4
CR2477T	3.0	1000	1.0	5.0	30	24.5	7.7	9.5
CR3032	3.0	500	0.4	5.0	25	30.0	3.2	6.8

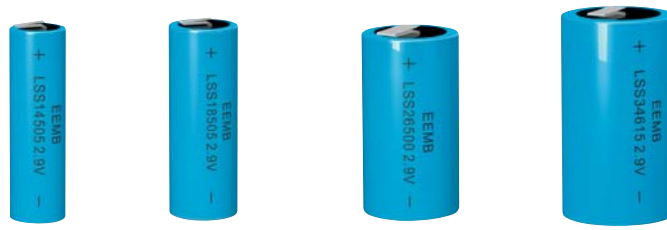
### Features:

- Low Self-discharge Rate: less than 2% of the nominal capacity per year at room temperature.
- Long Shelf-Life and High Reliability.
- Wide Operation Temperature Range from -20°C to +60°C





# Li-SO<sub>2</sub> Battery *Lithium Sulfur Dioxide Battery*



**Primary**

## Cylindrical Type

Model	Size	Nominal Voltage (V)	Nominal Capacity (mAh)	Standard Discharge Current (mA)	Max. Discharge Current (mA)		Diameter (mm)	Height (mm)	Approx. Weight(g)
					Conts.	Pulse			
LSS14505	AA	2.9	1100	3	100	200	14.5	52.0	20
LSS18505	AA	2.9	2000	40	1500	2500	18.8	50.5	28
LSS26500	C	2.9	3500	30	1000	2000	26.2	50.0	50
LSS34615	D	2.9	8000	50	2000	5000	34.2	61.5	90

### Features:

- Wide Current and Operation Temperature Range from -54°C to +71°C.
- Low Self-discharge: Less than 3% of capacity loss per year of storage at room temperature.



# Li-Polymer Battery Lithium Polymer Battery



**Rechargeable**

## Standard Version

Model	Nominal Voltage (V)	Nominal Capacity(mAh)		Diameter (mm)			Approx. Weight(g)
		Typical	Minimum	Thickness	Width	Height	
LP531124	3.7	85	80	5.3	11	24	2.0
LP651130	3.7	150	140	6.5	11	30	3.5
LP501221	3.7	80	75	5.0	12	21	1.9
LP651230	3.7	170	150	6.5	12	30	3.6
LP501235	3.7	155	150	5.0	12	35	3.6
LP401250	3.7	180	170	4.0	12	50	4.5
LP501321	3.7	80	75	5.0	13	21	1.9
LP451418	3.7	68	60	4.5	14	18	1.65
LP401429	3.7	130	120	4.0	14	29	3.0
LP501438	3.7	210	200	5.0	14	38	4.5
LP501448	3.7	280	260	5.0	14	48	6.0
LP501622	3.7	100	95	5.0	16	22	2.5
LP401630	3.7	140	130	4.0	16	30	3.5
LP451636	3.7	190	180	4.5	16	36	4.5
LP651647	3.7	420	400	6.5	16	47	8.5
LP601653	3.7	440	420	6.0	16	53	9.0
LP501697	3.7	700	650	5.0	16	97	14.0
LP301730	3.7	100	90	3.0	17	30	2.5
LP401734	3.7	170	160	4.0	17	34	4.0
LP401736	3.7	190	180	4.0	17	36	4.5
LP351745	3.7	200	190	3.5	17	45	4.5
LP581753	3.7	470	450	5.8	17	53	9.5
LP451834	3.7	235	230	4.5	18	34	5.0
LP401845	3.7	270	250	4.0	18	45	6.0
LP481922	3.7	135	125	4.8	19	22	3.0
LP601930	3.7	290	270	6.0	19	30	6.0
LP521948	3.7	420	400	5.2	19	48	8.6
LP302016	3.7	35	30	3.0	20	16	1.3
LP602024	3.7	210	200	6.0	20	24	4.5
LP502025	3.7	190	180	5.0	20	25	4.2
LP502030	3.7	250	230	5.0	20	30	5.4
LP552035	3.7	340	320	5.5	20	35	7.0
LP552036	3.7	360	340	5.5	20	36	7.0
LP852040	3.7	620	580	8.5	20	40	12.0
LP452050	3.7	400	380	4.5	20	50	8.0

※ The thickness can be adjusted while the length and width of the battery keeps the same.

# Li-Polymer Battery *Lithium Polymer Battery*

Model	Nominal Voltage (V)	Nominal Capacity(mAh)		Diameter (mm)			Approx. Weight(g)
		Typical	Minimum	Thickness	Width	Height	
LP402055	3.7	390	360	4.0	20	55	8.6
LP2820120	3.7	560	530	2.8	20	120	13.0
LP352131	3.7	180	170	3.5	21	31	4.0
LP422139	3.7	300	270	4.2	21	39	7.2
LP642142	3.7	530	500	6.4	21	42	10.5
LP602225	3.7	210	190	6.0	22	25	4.8
LP202235	3.7	100	95	2.0	22	35	2.8
LP452235	3.7	280	260	4.5	22	35	6.0
LP502240	3.7	400	370	5.0	22	40	6.5
LP402245	3.7	330	300	4.0	22	45	6.0
LP402248	3.7	380	360	4.0	22	48	8.0
LP502253	3.7	560	530	5.0	22	53	11.5
LP502331	3.7	280	260	5.0	23	31	5.5
LP382338	3.7	280	260	3.8	23	38	6.0
LP392339	3.7	300	270	3.9	23	39	6.7
LP442426	3.7	210	200	4.4	24	26	4.5
LP402431	3.7	230	220	4.0	24	31	5.0
LP502438	3.7	420	400	5.0	24	38	8.5
LP402445	3.7	400	380	4.0	24	45	7.5
LP302447	3.7	270	250	3.0	24	47	6.5
LP502448	3.7	550	520	5.0	24	48	11.0
LP402535	3.7	320	300	4.0	25	35	6.0
LP502540	3.7	480	450	5.0	25	40	9.5
LP402543	3.7	400	380	4.0	25	43	7.8
LP602548	3.7	700	650	6.0	25	48	13.5
LP502630	3.7	330	300	5.0	26	30	7.0
LP552647	3.7	650	600	5.5	26	47	12.5
LP402648	3.7	450	420	4.0	26	48	9.0
LP422726	3.7	240	220	4.2	27	26	5.0
LP422730	3.7	280	260	4.2	27	30	6.0
LP882940	3.7	1000	950	8.8	29	40	19.5
LP372945	3.7	420	380	3.7	29	45	8.5
LP452948	3.7	600	570	4.5	29	48	12.5
LP403026	3.7	260	240	4.0	30	26	5.3
LP503030	3.7	430	400	5.0	30	30	9.0
LP503040	3.7	580	540	5.0	30	40	11.0
LP433041	3.7	500	470	4.3	30	41	10.5
LP503042	3.7	600	570	5.0	30	42	12.0
LP453043	3.7	560	530	4.5	30	43	11.5
LP403048	3.7	560	530	4.0	30	48	11.5
LP433050	3.7	650	600	4.3	30	50	13.5
LP423058	3.7	920	870	4.2	30	58	15.0
LP503090	3.7	1400	1300	5.0	30	90	28.0
LP603162	3.7	1200	1100	6.0	31	62	23.0

※ The thickness can be adjusted while the length and width of the battery keeps the same.

# Li-Polymer Battery *Lithium Polymer Battery*

Model	Nominal Voltage (V)	Nominal Capacity(mAh)		Diameter (mm)			Approx. Weight(g)
		Typical	Minimum	Thickness	Width	Height	
LP303248	3.7	400	380	3.0	32	48	8.5
LP523250	3.7	820	770	5.2	32	50	16.5
LP853259	3.7	1750	1650	8.5	32	59	32.5
LP443340	3.7	550	500	4.4	33	40	10.5
LP433343	3.7	580	550	4.3	33	43	11.5
LP373434	3.7	360	330	3.7	34	34	7.5
LP323436	3.7	330	300	3.2	34	36	7.4
LP403440	3.7	500	470	4.0	34	40	10.5
LP503440	3.7	680	640	5.0	34	40	13.0
LP583443	3.7	800	750	5.8	34	43	15.0
LP403445	3.7	580	550	4.0	34	45	11.5
LP513446	3.7	800	760	5.1	34	46	16.0
LP603448	3.7	1000	950	6.0	34	48	19.5
LP603449	3.7	1100	1050	6.0	34	49	21
LP503450	3.7	900	850	5.0	34	50	17
LP653452	3.7	1150	1100	6.5	34	52	21
LP553454	3.7	1050	1000	5.5	34	54	19.5
LP603455	3.7	1150	1050	6.0	34	55	20
LP903462	3.7	2050	1950	9.0	34	62	38.0
LP503466	3.7	1200	1100	5.0	34	66	22.5
LP423480	3.7	1100	1000	4.2	34	80	23.0
LP753543	3.7	1200	1080	7.5	35	43	23.9
LP453548	3.7	730	690	4.5	35	48	14.5
LP383560	3.7	850	800	3.8	35	60	16.0
LP503562	3.7	1100	1000	5.0	35	62	20.0
LP7035135	3.7	3800	3600	7.0	35	135	71.0
LP473637	3.7	580	550	4.7	36	37	11.5
LP483648	3.7	800	750	4.8	36	48	16.0
LP603650	3.7	1100	1050	6.0	36	50	22.0
LP353654	3.7	700	650	3.5	36	54	13.5
LP493743	3.7	800	750	4.9	37	43	14.5
LP503754	3.7	1000	950	5.0	37	54	23.0
LP503759	3.7	1200	1100	5.0	37	59	23.5
LP503870	3.7	1500	1400	5.0	38	70	28.0
LP613938	3.7	900	850	6.1	39	38	17.5
LP404050	3.7	800	750	4.0	40	50	16.0
LP404052	3.7	820	780	4.0	40	52	16.0
LP4240160	3.7	3000	2800	4.2	40	160	59.0
LP504131	3.7	600	570	5.0	41	31	12.5
LP574152	3.7	1250	1150	5.7	41	52	24.0
LP404261	3.7	1000	950	4.0	42	61	20.0
LP604271	3.7	2000	1850	6.0	42	71	37.5
LP404343	3.7	730	690	4.0	43	43	15.0
LP304350	3.7	600	550	3.0	43	50	11.5

※ The thickness can be adjusted while the length and width of the battery keeps the same.

# Li-Polymer Battery *Lithium Polymer Battery*

Model	Nominal Voltage (V)	Nominal Capacity(mAh)		Diameter (mm)			Approx. Weight(g)
		Typical	Minimum	Thickness	Width	Height	
LP374368	3.7	1050	1000	3.7	43	68	22.0
LP404374	3.7	1300	1200	4.0	43	74	25.0
LP504388	3.7	2000	1900	5.0	43	88	37.5
LP584453	3.7	1400	1300	5.8	44	53	25.0
LP7044125	3.7	4200	4000	7.0	44	125	80.5
LP474549	3.7	1100	1000	4.7	45	49	22.0
LP4545135	3.7	2800	2700	4.5	45	135	54.0
LP384765	3.7	1150	1050	3.8	47	65	22.5
LP3048166	3.7	2400	2300	3.0	48	166	50.0
LP404951	3.7	1000	950	4.0	49	51	19.5
LP454965	3.7	1500	1400	4.5	49	65	29.5
LP475067	3.7	1700	1600	4.7	50	67	32.0
LP505085	3.7	2300	2100	5.0	50	85	44.0
LP6550135	3.7	4700	4400	6.5	5.0	135	93.0
LP6050145	3.7	4300	4000	6.0	50	145	86.0
LP435168	3.7	1650	1550	4.3	51	68	30.5
LP9051109	3.7	5500	5200	9.0	51	109	102.0
LP9551119	3.7	6800	6500	9.5	51	119	125.0
LP555255	3.7	1650	1550	5.5	52	55	31.5
LP555272	3.7	2100	2000	5.5	52	72	42.5
LP505367	3.7	1850	1750	5.0	53	67	36.0
LP405385	3.7	2000	1900	4.0	53	85	38.0
LP435464	3.7	1650	1550	4.3	54	64	31.0
LP305560	3.7	820	720	3.0	55	60	17.5
LP925572	3.7	4000	3800	9.2	55	72	72.0
LP575576	3.7	2500	2400	5.7	55	76	47.5
LP505590	3.7	2800	2600	5.0	55	90	52.0
LP555597	3.7	3000	2850	5.5	55	97	60.0
LP745680	3.7	3800	3600	7.4	56	80	68
LP405776	3.7	1700	1600	4.0	57	76	35.0
LP5058110	3.7	3500	3300	5.0	58	110	66.5
LP6559135	3.7	5300	5000	6.5	59	135	108.5
LP886047	3.7	2650	2450	8.8	60	47	49.5
LP326167	3.7	1300	1200	3.2	61	67	26.0
LP656194	3.7	4000	3800	6.5	61	94	78.5
LP3061124	3.7	2300	2200	3.0	61	124	48.0
LP4365100	3.7	2800	2600	4.3	65	100	57.0
LP706656	3.7	2700	2600	7.0	66	56	52.0
LP4068114	3.7	3100	2945	4.0	68	114	65.0
LP507062	3.7	2100	2000	5.0	70	62	44.5
LP50100100	3.7	4800	4500	5.0	100	100	100.0
LP35103122	3.7	3800	3500	3.5	103	122	86.0

※ The thickness can be adjusted while the length and width of the battery keeps the same.

## Features:

- Design Flexibility;High Energy Density.
- Long Life Cycle;Enhanced Safety.
- Environmental-Friendly.

# Li-Polymer Battery Lithium Polymer Battery



**Rechargeable**

## High Rate Discharge Version

Model	Nominal Voltage (V)	Nominal Capacity(mAh)		Diameter (mm)			Approx. Weight(g)
		Typical	Minimum	Thickness	Width	Height	
<b>5C-10C Continuous Discharge</b>							
LP251124HA	3.7	22	20	2.5	11	24	1.05
LP531130HA	3.7	120	110	5.3	11	30	2.8
LP302030HA	3.7	100	90	3.0	20	30	3.0
LP452030HA	3.7	160	150	4.5	20	30	4.5
LP562447HA	3.7	450	400	5.6	24	47	11.5
LP353048HA	3.7	270	250	3.5	30	48	7.0
LP403048HA	3.7	400	380	4.0	30	48	10.0
LP423048HA	3.7	430	400	4.2	30	48	28.5
LP503048HA	3.7	550	500	5.0	30	48	13.5
LP703048HA	3.7	800	700	7.0	30	48	19.0
LP883090HA	3.7	2000	1800	8.8	30	90	45.5
LP553448HA	3.7	700	650	5.5	34	48	17.0
LP503450HA	3.7	730	670	5.0	34	50	16.5
LP603450HA	3.7	880	800	6.0	34	50	13.5
LP803454HA	3.7	1150	1050	8.0	34	54	27.5
LP953466HA	3.7	1850	1700	9.5	34	66	43.0
LP603496HA	3.7	1500	1400	6.0	34	96	39.0
LP753496HA	3.7	2000	1900	7.5	34	96	47.5
LP803560HA	3.7	1250	1150	8.0	35	60	30.5
LP6035135HA	3.7	2200	2000	6.0	35	135	57.0
LP503759HA	3.7	850	800	5.0	37	59	22.0
LP454374HA	3.7	1050	1000	4.5	43	74	28.0
LP5644125HA	3.7	2600	2400	5.6	44	125	64.0
LP555590HA	3.7	2300	2100	5.5	55	90	54.5
<b>10C-15C Continuous Discharge</b>							
LP452030HB	3.7	140	130	4.5	20	30	4.5
LP353048HB	3.7	330	300	3.5	30	48	9.0
LP703090HB	3.7	1400	1300	7.0	30	90	35.5
LP533259HB	3.7	740	710	5.3	32	59	19.0
LP503460HB	3.7	800	740	5.0	34	60	21.5
LP703466HB	3.7	1250	1200	7.0	34	66	31.0
LP703480HB	3.7	1500	1400	7.0	34	80	38.0
LP853496HB	3.7	2200	2000	8.5	34	96	52.5
LP803560HB	3.7	1250	1150	8.0	35	60	31.5

※ The thickness can be adjusted while the length and width of the battery keeps the same.

# Li-Polymer Battery *Lithium Polymer Battery*

Model	Nominal Voltage (V)	Nominal Capacity(mAh)		Diameter (mm)			Approx. Weight(g)
		Typical	Minimum	Thickness	Width	Height	
<b>10C-15C Continuous Discharge</b>							
LP6035135HB	3.7	2100	2000	6.0	35	135	55.9
LP583648HB	3.7	700	650	5.8	36	48	17.0
LP854374HB	3.7	2100	2000	8.5	43	74	51.5
<b>15C-20C Continuous Discharge</b>							
LP453048HC	3.7	430	400	4.5	30	48	12.0
LP923080HC	3.7	1500	1400	9.2	30	80	40.0
LP753090HC	3.7	1500	1400	7.5	30	90	40.0
LP553460HC	3.7	800	740	5.5	34	60	24.0
LP753466HC	3.7	1200	1100	7.5	34	66	32.5
LP903480HC	3.7	1800	1700	9.0	34	80	49.5
LP853496HC	3.7	2100	2000	8.5	34	96	58.5
LP683560HC	3.7	1000	950	6.8	35	60	27.5
LP7035135HC	3.7	2500	2300	7.0	35	135	67.5
LP854374HC	3.7	2100	2000	8.5	43	74	55.0
<b>20C Continuous Discharge</b>							
LP583460HD	3.7	800	750	5.8	34	60	24.0
LP753496HD	3.7	1800	1700	7.5	34	96	50.0
LP683560HD	3.7	1000	950	6.8	35	60	30.0
LP8544125HD	3.7	3200	3000	8.5	44	125	98.0
LP605590HD	3.7	2100	2000	6.0	55	90	67.0

## Lithium Iron Phosphate Battery (LiFePO4 Battery)

Model	Voltage	Capacity	Dimension (mm)			Weight (g)
			Thickness	Width	Height	
LP606512HE	3.2V	3000	6	65	125	90
2S-LP653659HE	6.4V	800	14.5	37	66	56
2S-LP702045HE	6.4V	300	14	29	49	26
3S-LP702045	9.6V	300	20	23	50	30
3S-LP403790HE	9.6V	700	12.5	38	95	74
4S-LP903465HE	12.8V	1100	37	35	71	144
8S-LP13065125HE	24V	8Ah	110	68	128	1580
12S-LP16065125HE	36V	10Ah	200	68	128	2850
16S-LP18075167HE	48V	20Ah	300	78	170	7540

※ The thickness can be adjusted while the length and width of the battery keeps the same.

### Features:

- 1C=1 Capacity
- Customized designs are available upon requests.
- The above information are subject to change without prior notice.
- For more models of Li-Polymer battery, please consult EEMB sales.



# Li-ion Battery Lithium ion Battery



## Rechargeable

### Prismatic Type

Model	Nominal Voltage (V)	Nominal Capacity (mAh)	Impedance (mΩ)	Dimension(mm)			Approx. Weight(g)
				Thickness	Width	Height	
LIR043040A	3.7	450	≤60	4.3	30.0	40.0	12.0
LIR043048A	3.7	680	≤60	4.5	30.0	47.8	15.8
LIR043450A	3.7	750	≤50	4.4	34.0	50.0	17.5
LIR043448A	3.7	700	≤50	4.4	34.0	48.0	15.0
LIR053040A	3.7	550	≤60	5.3	30.2	40.0	13.6
LIR053048A	3.7	800	≤50	5.4	30.2	48.0	17.9
LIR053436A	3.7	650	≤60	5.2	34.0	35.7	13.6
LIR053445A	3.7	820	≤50	5.3	34.0	45.0	19.0
LIR053450A	3.7	900	≤50	5.3	34.0	49.5	19.8
LIR063048A	3.7	900	≤50	6.3	29.8	48.0	19.2
LIR063448A	3.7	950	≤50	6.4	34.2	48.0	23.2
LIR063450A	3.7	1050	≤50	6.4	34.2	50.0	23.8
LIR063465A	3.7	1250	≤50	6.4	34.0	65.0	34.0
LIR073448A	3.7	1100	≤50	7.5	34.0	48.0	27.3
LIR083448A	3.7	1200	≤50	8.3	34.0	47.8	28.0
LIR103450A	3.7	1800	≤50	10.4	34.0	50.0	41.2

#### Features:

- High Energy Density.
- Long Shelf-Life and Low Self-Discharge Rate.
- Excellent Cycle Life. No Memory Effect: 500 charge and discharge cycles can be expected under normal use.
- Environmental-friendly.





# Li-ion Battery Lithium ion Battery



## Rechargeable

### Button Type

Model	Nominal Voltage (V)	Nominal Capacity (mAh)	Recommended Current(mA)		Dimension (mm)		Approx. Weight(g)
			Conts.	Pulse	Width	Height	
LIR1130	3.6	8 2	1CmA	2CmA	11.0	3.0	0.8
LIR1620	3.6	20 5			16.0	2.0	1.1
LIR1632	3.6	30 5			16.0	3.2	1.3
LIR2016	3.6	20 5			20.0	1.6	1.9
LIR2025	3.6	25 5			20.0	2.5	2.5
LIR2032	3.6	45 5			20.0	3.2	3.1
LIR2430	3.6	70 5			24.0	3.0	4.2
LIR2440	3.6	75 5			24.5	4.0	4.4
LIR2450	3.6	120 10			24.0	5.0	5.2
LIR2477	3.6	190 10			24.0	7.7	7.0
LIR3032	3.6	120 10			30.0	3.2	6.2
LIR3048	3.6	200 10			30.0	4.8	7.3

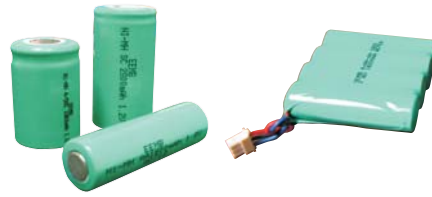
### Cylindrical Type

Model	Nominal Voltage (V)	Nominal Capacity (mAh)	Impedance (mΩ)	Dimension (mm)		Approx. Weight(g)
				Diameter	Height	
LIR14500	3.7	800	≤80	14.1	48.5	20.0
LIR17500	3.7	1100	≤80	16.8	49.5	29.0
LIR17670	3.7	1500	≤80	17.0	67.0	36.0
LIR18500	3.7	1300	≤80	18.2	48.5	33.0
LIR18500	3.7	1400	≤80	18.2	48.5	33.0
LIR18650	3.7	1800	≤80	18.2	64.5	45.0
LIR18650	3.7	2000	≤80	18.2	64.5	45.0
LIR18650	3.7	2100	≤80	18.2	64.5	45.0

**Note:**

- \*1C= 1 Capacity
- \*For more models of Li-ion battery, please consult EEMB sales.

# Ni-MH Battery Nickel Metal Hydride Battery



**Rechargeable**

## Cylindrical Type

Model	Size	Nominal Voltage (V)	Nominal Capacity (mAh)	Standard Charge		Fast Charge		Diameter (mm)	Height (mm)	Approx. Weight(g)
				Current (mA)	Time (hrs)	Current (mA)	Time (mins)			
NH-1/3AAA120	1/3AAA	1.2	120	12	14-16	60	138	10.1	15	3.3
NH-1/3AAA180	1/3AAA	1.2	180	18	14-16	90	138	10.1	15	4
NH-2/3AAA300	2/3AAA	1.2	300	30	16	300	75	10.1	28.5	8
NH-4/5AAA450	4/5AAA	1.2	450	45	16	450	75	10.1	35.7	10
NH-AAA400	AAA	1.2	400	40	16	400	75	10.1	43.1	8
NH-AAA600	AAA	1.2	600	60	16	600	75	10.1	43.1	12
NH-AAA700	AAA	1.2	700	70	16	700	75	10.1	43.1	13
NH-AAA800	AAA	1.2	800	80	16	400	150	10.1	43.1	13
NH-AAA850-T	AAA	1.2	850	85	16	425	150	10.1	44.2	13
NH-1/2AA600	1/2AA	1.2	600	60	16	600	75	14.1	23.8	13
NH-2/3AA600	2/3AA	1.2	600	60	16	600	75	14.1	29.0	14
NH-4/5AA700	4/5AA	1.2	700	70	16	700	75	14.1	42.8	14
NH-4/5AA1100	4/5AA	1.2	1100	110	16	1100	75	14.1	42.8	21
NH-4/5AA1500	4/5AA	1.2	1500	150	16	1500	75	14.1	42.8	29
NH-AA1000	AA	1.2	1000	100	16	1000	75	14.0	48.5	24
NH-AA1800	AA	1.2	1800	180	16	900	150	14.0	48.5	28
NH-AA2200	AA	1.2	2200	220	16	1100	150	14.0	48.5	31
NH-AA2300-T	AA	1.2	2300	230	16	1150	150	14.2	50	31
NH-AA2500-T	AA	1.2	2500	250	16	500	420	14.2	50	32
NH-1/3A450	1/3A	1.2	450	45	16	450	75	16.5	16.3	12
NH-4/5A1800	4/5A	1.2	1800	180	16	1800	75	16.5	42	32
NH-A1800	A	1.2	1800	180	16	1800	150	16.5	48.6	32
NH-A2200	A	1.2	2200	220	16	1100	150	16.5	48.6	38
NH-4/3A2400	4/3A	1.2	2400	240	16	1200	144	16.5	66.7	32
NH-4/3A2800	4/3A	1.2	2800	280	16	1400	144	16.5	66.7	37
NH-4/3A3300	4/3A	1.2	3300	330	16	1650	144	16.5	66.7	44
NH-4/3A3700	4/3A	1.2	3700	370	16	1850	144	16.5	66.7	47
NH-4/3A3800	4/3A	1.2	3800	380	16	1900	144	16.5	66.7	48
NH-SC2200	SC	1.2	2200	220	16	1100	150	22.9	42.5	51
NH-SC2500	SC	1.2	2500	250	16	1250	150	22.9	42.5	58
NH-SC2800	SC	1.2	2800	280	16	1400	150	22.1	42.5	59
NH-SC3000	SC	1.2	3000	300	16	1500	150	22.1	42.5	60
NH-SC3300	SC	1.2	3300	330	16	1650	150	22.1	42.5	62
NH-SC3500	SC	1.2	3500	350	16	1750	150	22.1	42.5	66
NH-C1800	C	1.2	1800	180	16	900	150	25.2	49.5	42

# Ni-MH Battery Nickel Metal Hydride Battery

Model	Size	Nominal Voltage (V)	Nominal Capacity (mAh)	Standard Charge		Fast Charge		Diameter (mm)	Height (mm)	Approx. Weight(g)
				Current (mA)	Time (hrs)	Current (mA)	Time (mins)			
NH-C2800	C	1.2	2800	280	16	1400	150	25.2	49.5	55
NH-C3000	C	1.2	3000	300	16	1500	150	25.2	49.5	57
NH-C3500	C	1.2	3500	350	16	1750	150	25.2	49.5	66
NH-C4000	C	1.2	4000	400	16	2000	150	25.2	49.5	73
NH-C4500-T	C	1.2	4500	450	16	2250	150	25.2	50.5	80
NH-D2000	D	1.2	2000	200	16	1000	150	32.2	61.2	76
NH-D5000	D	1.2	5000	500	16	2500	150	32.2	61.2	120
NH-D8000	D	1.2	8000	800	16	4000	150	32.2	61.2	170
NH-D9000-T	D	1.2	9000	900	16	4500	150	32.2	61.2	175
NH-F13000	F	1.2	13000	1300	16	2600	390	32.2	88.6	220

## Prismatic Type

Model	Nominal Voltage (V)	Nominal Capacity (mAh)	Standard Charge		Fast Charge		Length (mm)	Wide (mm)	Thickness (mm)	Approx. Weight(g)
			Current (mA)	Time (hrs)	Current (mA)	Time (mins)				
NH-9V160	8.4	160	16	15	32	360-420	26.5	17.5	48.5	42
NH-9V180	8.4	180	18	16	36	360-420	26.5	17.5	48.5	42
NH-9V200	8.4	200	20	16	40	360-420	26.5	17.5	48.5	42

### Features:

- Superior high rate: discharge rate up to 3C.
- Wide operational temperature range from -10°C to +50°C.
- Service-life of 500 charge-discharge cycles is extremely economical.
- Quick charging in about one hour is possible with a specially designed Ni-MH exclusive charger.
- For more models of Ni-MH battery, please consult EEMB sales.



# Solar Panel



Solar Panel							
Model	Max.Power (Pm)	Max.Power Voltage (Vmp)	Max.Power Current (Imp)	Open Circuit Voltage (Voc)	Short Circuit Current (A)	Dimension (mm)	Cells
ESP005	5	17	0.3	21	0.33	240*290*25	36
ESP008	8	17.5	0.47	21	0.53	329*290*25	36
ESP010	10	17.5	0.57	21	0.66	329*290*25	36
ESP012	12	17.5	0.69	21	0.76	430*300*25	36
ESP015	15	17.5	0.86	21	1.0	400*350*25	36
ESP020	20	17.5	1.1	21	1.3	541*422*25	36
ESP020S	20	17.5	1.1	21	1.3	610*291*25	36
ESP025	25	17.5	1.4	21	1.6	541*422*25	36
ESP030S	30	17.2	1.75	21.6	1.95	413*676*30	36
ESP030	30	17.5	1.7	21	2.0	610*541*25	36
ESP035	35	17.5	2.0	21	2.3	610*541*25	36
ESP040	40	17.5	2.3	22	2.5	610*541*35	36
ESP045	45	17.5	2.6	21	3.0	800*541*35	36
ESP050	50	17.5	2.9	22	3.1	800*541*35	36
ESP055	55	17.5	3.1	21	3.6	1172*541*35	36
ESP060	60	17.5	3.4	22	3.8	1172*541*35	36
ESP065	65	17.5	3.7	22	4.1	1172*541*35	36
ESP070	70	17.5	4.0	22	4.4	1172*541*35	36
ESP075	75	17.5	4.3	22	4.7	1172*541*35	36
ESP080	80	17.5	4.6	22	5.1	1172*541*35	36
ESP085	85	17.5	4.9	22	5.3	1172*541*35	36
ESP090	90	17.5	5.14	21.5	5.66	1198*548*40	36
ESP100	100	17.5	5.71	21.5	6.29	1454*670*40	36
ESP110	110	17.5	6.3	22	7.0	1470*380*50	36
ESP110S	110	17.5	6.3	22	7.0	1447*663*50	36
ESP120	110	17.5	6.9	22	7.6	1470*680*50	36
ESP120S	120	35	3.4	44	3.8	1580*810*48	72
ESP125	125	17.5	7.14	21.5	7.86	1454*670*40	36
ESP130	130	35	3.7	44	4.1	1580*810*48	72
ESP140	140	35	4.0	44	4.4	1580*810*48	72
ESP150	150	35	4.3	44	4.7	1580*810*48	72
ESP160S	160	23	7.0	29	7.7	1310*990*48	72
ESP160	160	35	4.6	44	5.1	1580*810*48	72
ESP165	165	17.5	9.43	21.5	10.37	1317*993*40	36
ESP170S	170	23	7.4	29	8.1	1310*990*48	72

# Solar Panel

Model	Max.Power (Pm)	Max.Power Voltage (Vmp)	Max.Power Current (Imp)	Open Circuit Voltage (Voc)	Short Circuit Current (A)	Dimension (mm)	Cells
ESP170	170	35	4.9	44	5.3	1580*810*48	72
ESP190	190	26.1	7.3	32.4	8.1	1494*996*50	54
ESP200	200	26.6	7.52	33.2	7.72	1494*996*42	54
ESP210	210	35	6.0	42.5	6.21	1505*990*46	72
ESP270	270	34.8	7.75	43.2	8.6	1968*996*50	72

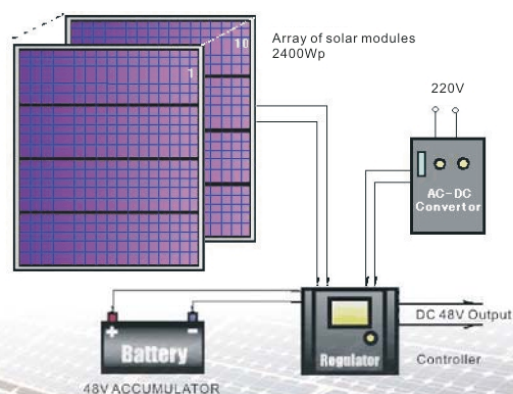
## Solar System

TYPE	ET-200	ET-500	ET-1K	ET-2K
Rated Output Power	>200Wp	>500Wp	>1000Wp	>2000Wp
Rated Working Voltage	48VDC	48VDC	48VDC	48VDC
Rated Working Current	4.1A	10.4A	21A	42A
Working time without Sunshine	72H	72H	72H	72H
Controller	10A/48V	20A/48V	50A/48V	60A/48V
48V Accumulator	0.375VAH	0.75VAH	1.5VAH	3.0VAH
The square of solar panels	5-12M <sup>2</sup>	12.5-25M <sup>2</sup>	25-50M <sup>2</sup>	50-120M <sup>2</sup>
Max.Solar Power	600Wp	1500Wp	3000Wp	6000Wp
Max.Solar current	12.5A	31.25A	62.50A	125A
Wind resistance level	12	12	12	12
Ambient Temperature °C	-40--+70	-40--+70	-40--+70	-40--+70
Ambient Humidity	10%-90%	10%-90%	10%-90%	10%-90%

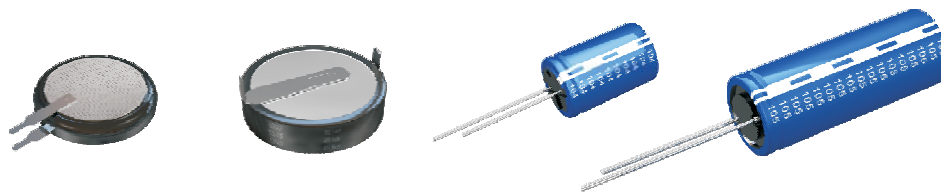
※ The working time without sunshine can be adjusted by increasing or decreasing the capacity of the accumulators

### Features:

- High Safety and Reliability.
- Cost Effective use.
- No noise, No pollution.
- Long Working Life.
- Minimum maintenance required over long operational life.
- Flexible Design.



# Super Capacitor



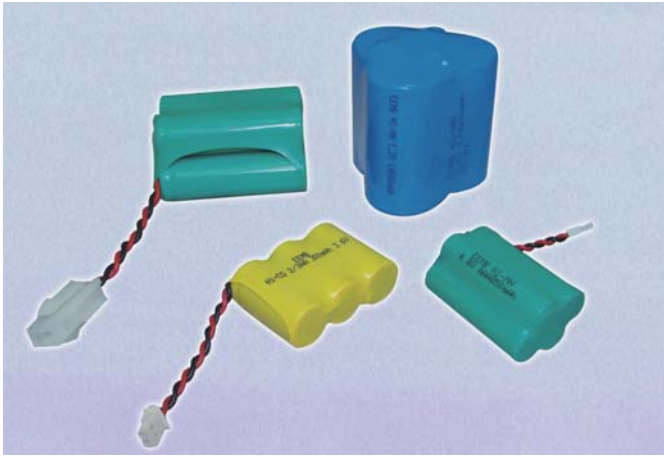
Button Type					
Model	Nominal Voltage (V)	Nominal Capacity (F)	Impedance (mΩ)	Dimension (mm)	Height (mm)
SC1920	2.7	2.0	12	19.0	2.4
SC621	2.7	0.3	65	7.1	2.5
SC920	2.7	0.5	40	9.7	2.5
SC927	2.7	0.7	40	9.7	2.7
SC2430	2.7	8.0	8	24.8	35
SC1220	2.7	1.0	30	12.8	2.4
SC2I1920	5.5	1.0	25	18.8	4.3
SC2I621	5.5	0.15	150	7.0	4.7
SC2I920	5.5	0.22	85	9.6	4.2
SC2I927	5.5	0.33	85	9.7	5.3
SC2I2430	5.5	4.0	16	24.7	6.7
SC2I1220	5.5	0.47	65	12.7	4.1
Cylindrical Type					
SC0813	2.7	1.0	450	8.0	13.0
SC0820	2.7	2.0	300	8.0	20.0
SC0820L	2.7	3.0	220	8.0	20.0
SC1020	2.7	3.3	200	10.0	20.0
SC1321	2.7	4.7	150	13.0	21.0
SC1321-L	2.7	8.0	90	13.0	21.0
SC1327	2.7	10.0	70	13.0	27.0
SC1627	2.7	20.0	40	16.0	27.0
SC1632	2.7	30.0	30	16.0	32.0
SC1841	2.7	50.0	50	18.0	41.0
SC2242	2.7	60.0	60	22.0	42.0
SC2245	2.7	80.0	80	22.0	45.0
SC2254	2.7	90.0	90	22.0	54.0
SC2254-L	2.7	120.0	120	22.0	54.0
SC2560	2.7	150.0	150	25.0	60.0
SC3561	2.7	200.0	200	35.0	61.0

## Features:

- Light weight. High Energy Density.
- Excellent charge and discharge characteristics.
- Super long working life.
- Low equivalent resistance in series.
- Wide temperature range -25°C to +70°C.
- Environmental-Friendly.

# Battery Pack

For Cylindrical Batteries

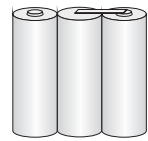


Remark: Custom-design is available

Code:A



Code:A



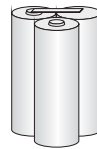
Code:G



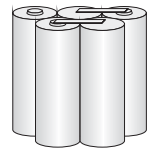
Code:S



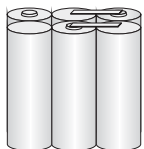
Code:T



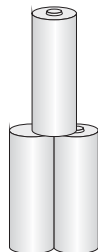
Code:W



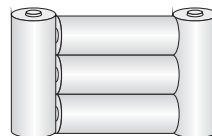
Code:Y



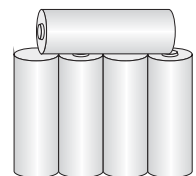
Code:E



Code:U

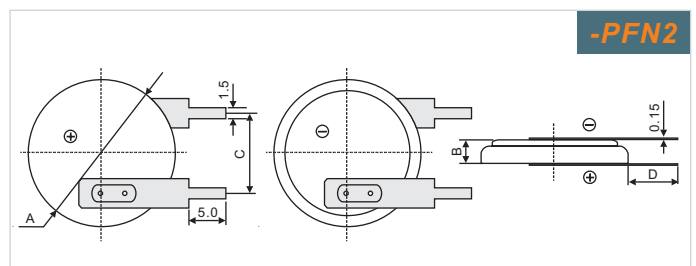
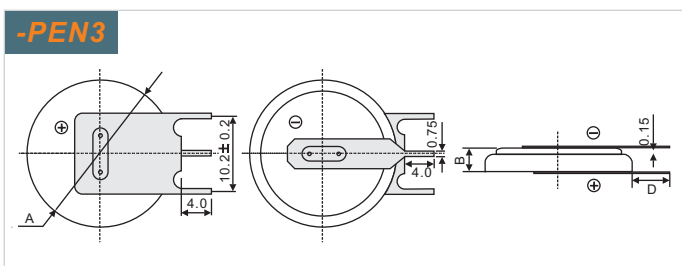
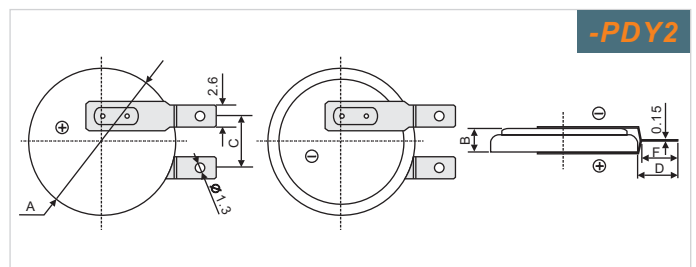
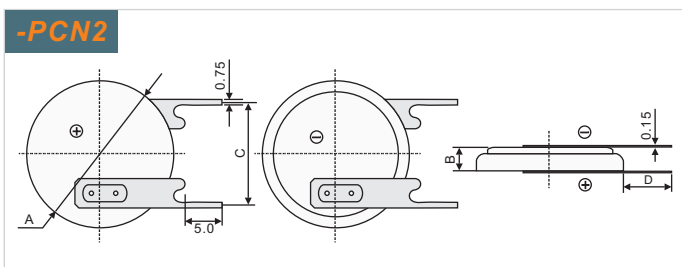
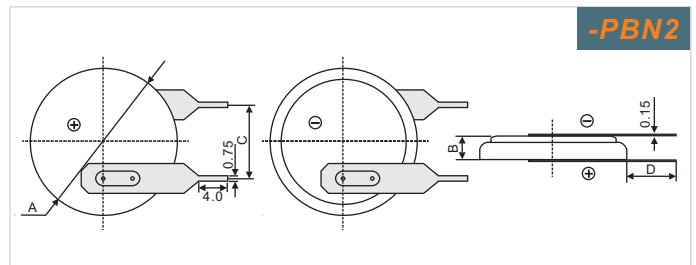
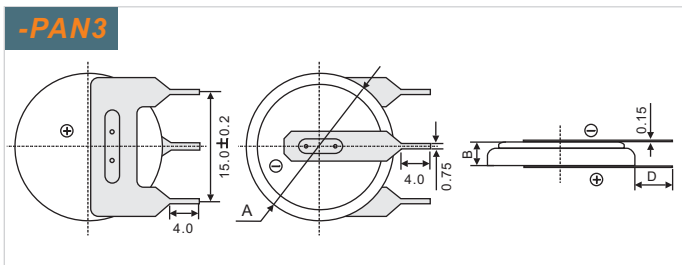
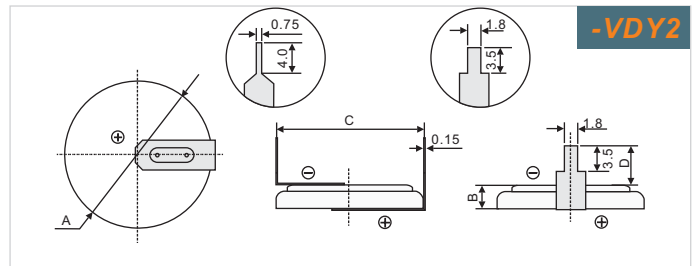
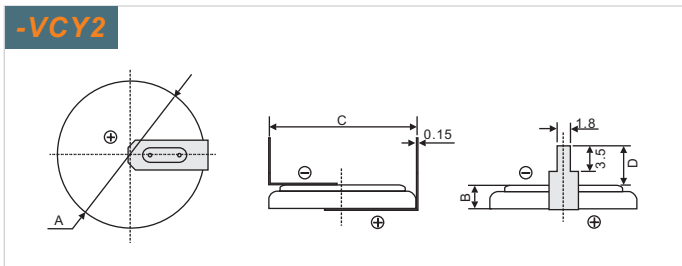
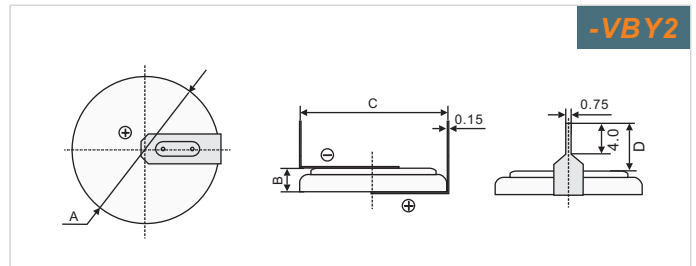
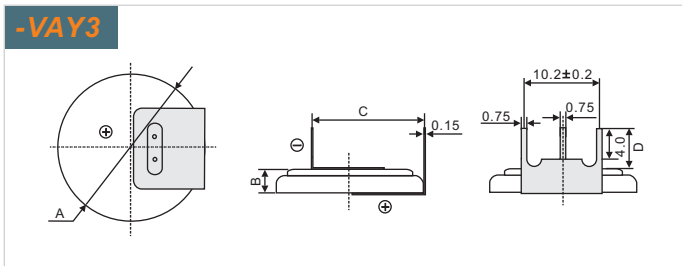
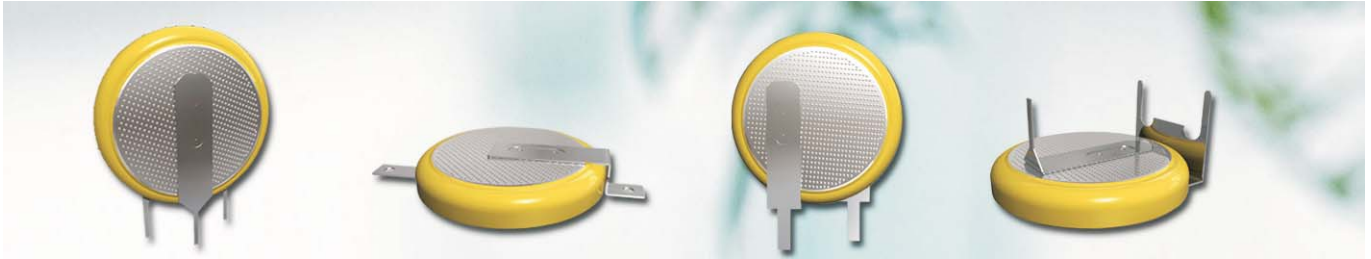


Code:M



# Available Terminals

For Button Batteries

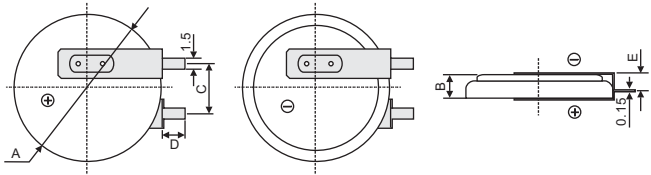




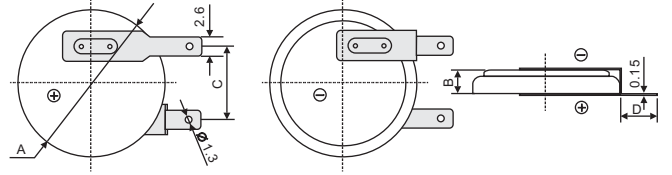
# Available Terminals

For Button Batteries

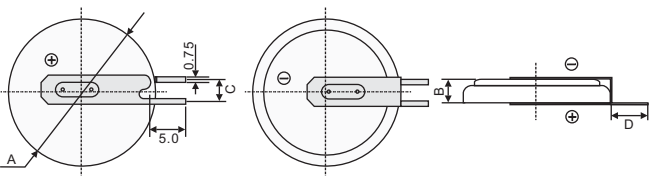
**-PGY2**



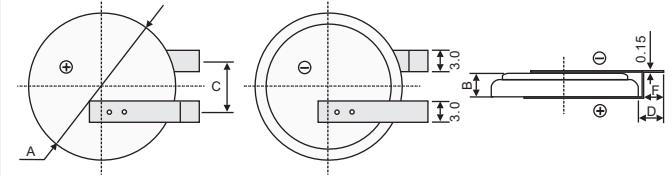
**-PHY2**



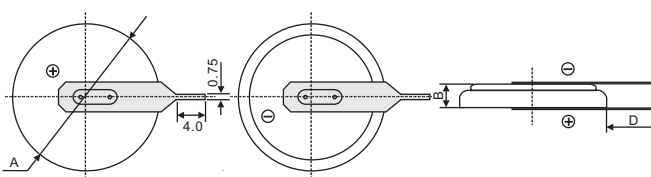
**-PIY2**



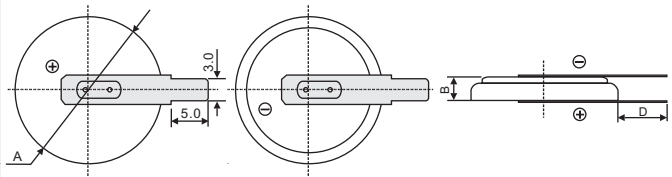
**-PJY2**



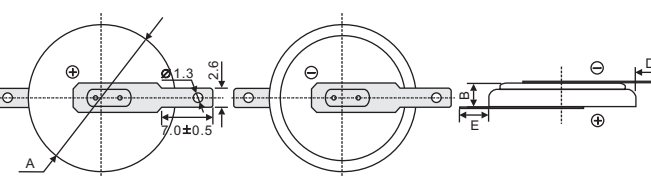
**-SAN2**



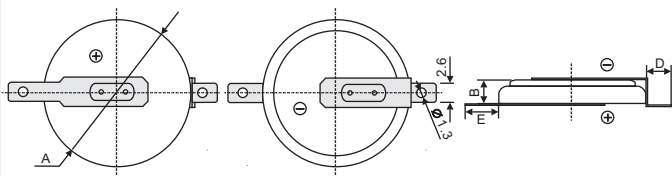
**-SBN2**



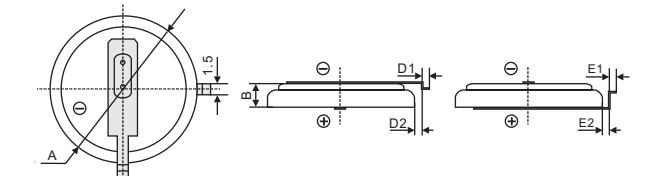
**-LAN2**



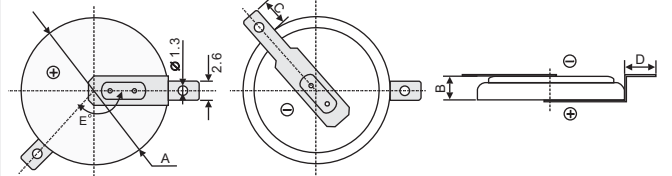
**-LBY2**



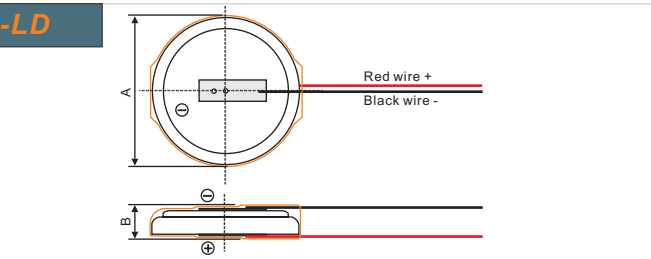
**-AAY2**



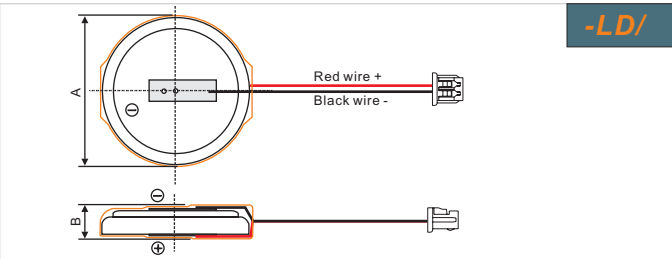
**-ABY2**



**-LD**



**-LD/**

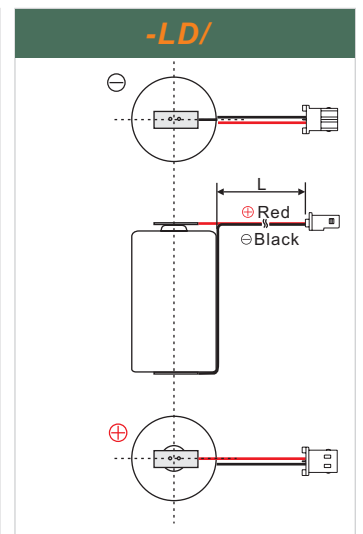
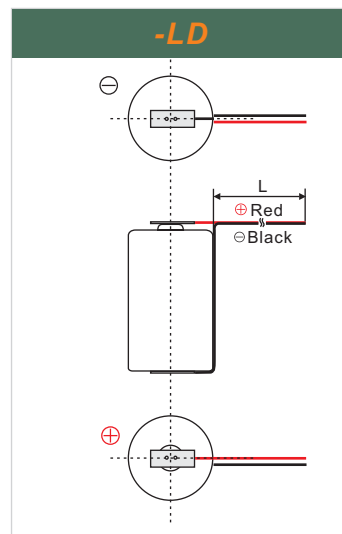
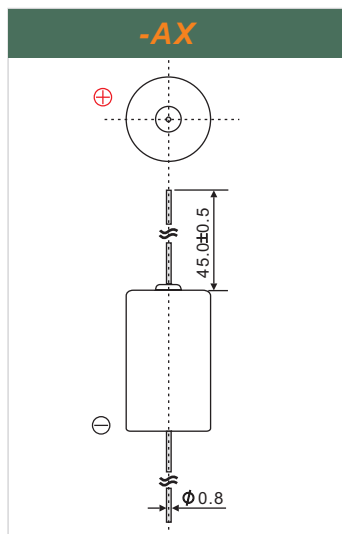
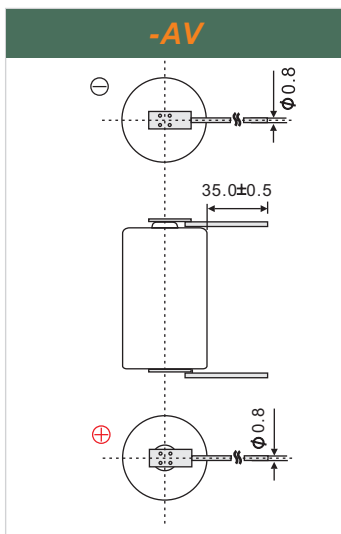
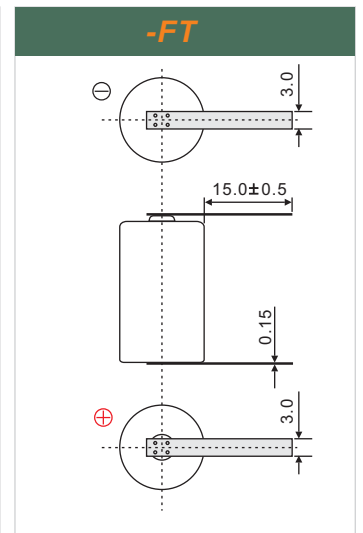
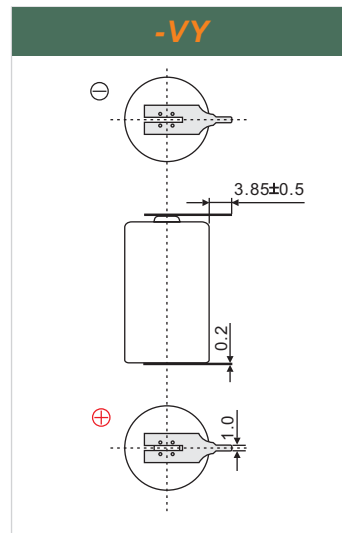
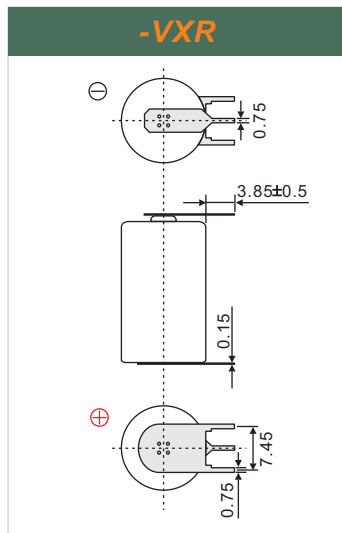
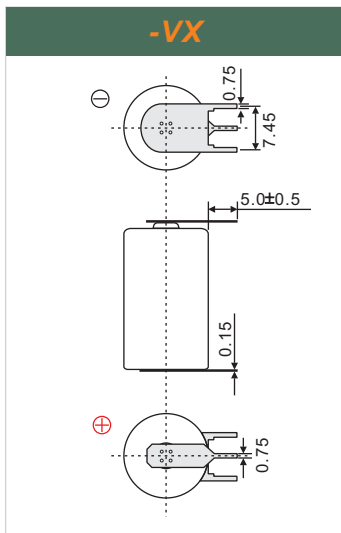
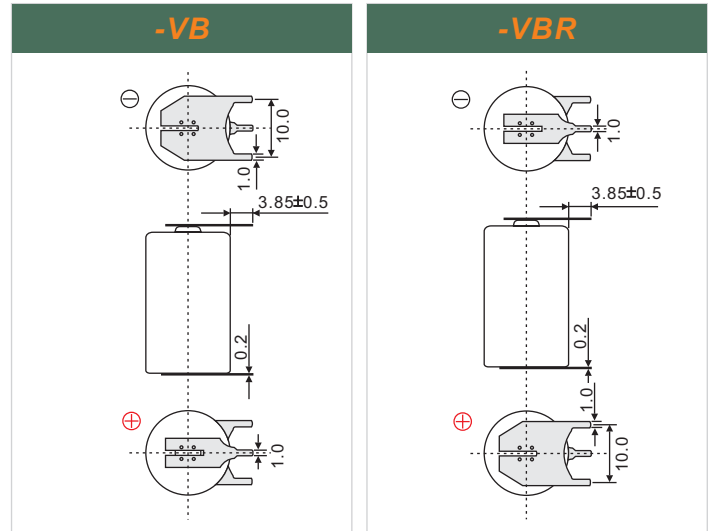


# Available Terminals

For Cylindrical Batteries



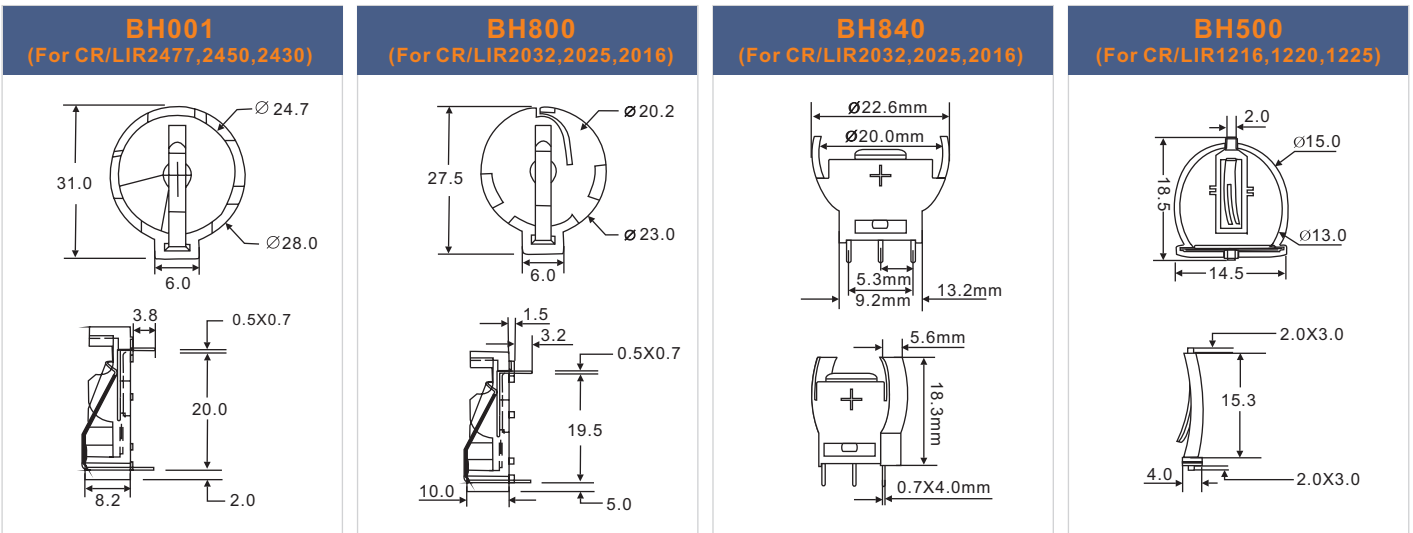
Remark: Custom-design is available



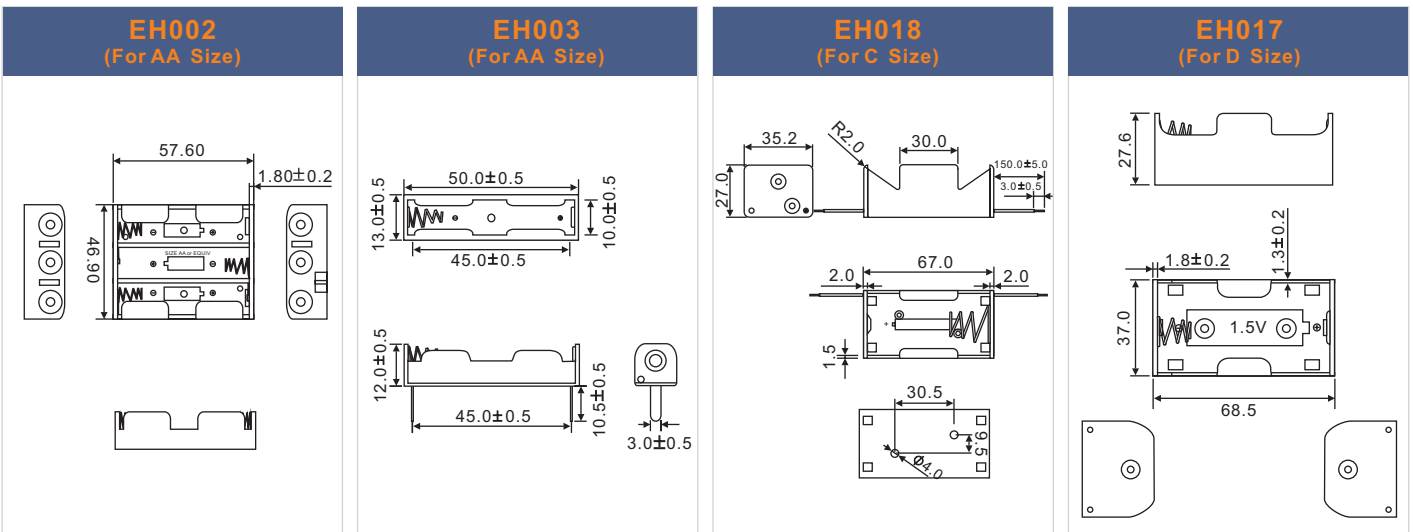
# Battery Holder

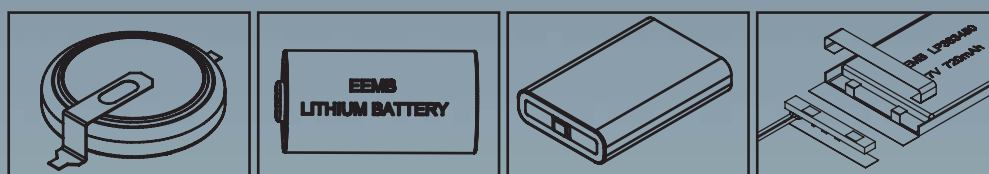


## For Button Batteries



## For Cylindrical Batteries





# LITHIUM BATTERY

tel: +86-755-83022275 fax: +86-755-83021966 e-mail:global@eemb.com

<http://eemb.com>