



# RGB LED Controller Installation Instructions Model: LT8901 RGB

PLEASE READ THESE INSTRUCTIONS CAREFULLY BEFORE INSTALLING  
LEAVE A COPY FOR THE USER / MAINTENANCE ENGINEER FOR FUTURE REFERENCE

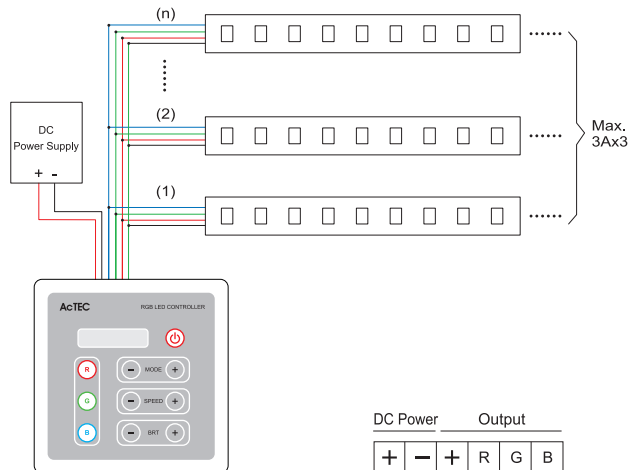
## Product Features

- Designed for RGB LED colour variations.
- Built-in 18 pre-set mode functions plus adjustable brightness & speed functions.
- Independent control of three RGB channels to create full colour control. Total maximum output current is 3A.
- Adjustable 256 grey scale for fine and smooth colour changes.
- Static brightness and colour control: 16 steps for each RGB channel, i.e. 4096 different colours.
- Equipped with IR remote controller.
- In conjunction with repeaters, control can be extended indefinitely.
- Wall mounting facet to allow easy access and user friendly control.

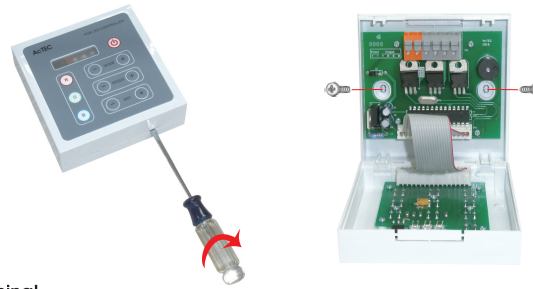
## Technical Specifications

Input/output voltage	5-24V DC(Auto-Switch)
Max output current	3A/CHANNEL x 3 CHANNEL
Max output power at 24V	(24V x 3A) x 3CH = 216W
Working temperature	-20°C --- +50°C
Dimensions LxWxH	86x86x28mm
Fixing centre	60mm

## Wiring Diagram



## Installation Instruction



### Warning!

**This product must be installed by a qualified electrician according to AS/NZS 3000.**

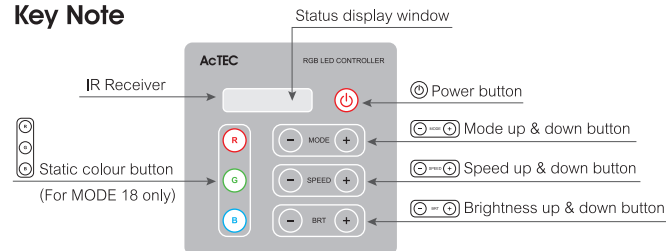
**To activate the remote controller, please remove the transparent plastic film from the battery.**

- Insert the controller with a flat screwdriver to the slots at the bottom side, 90-degree rotation to open cover.
  - Fix the controller to the wall with two self-tapping screws.
  - According to the wiring diagram, connect wires from DC Power and the RGB LED Strip to the proper position of the terminals on the controller.
- Note: +, - polarity should be consistent with the wiring identification on the controller.  
Each RGB load current shall not exceed the controller rating.
- Cover the top cover.
  - Power on.

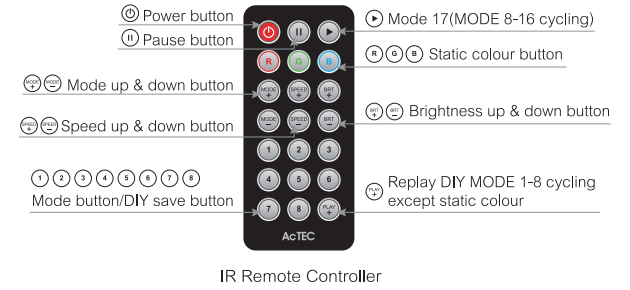
## Instruction manual

- The power-on state would be the same as the last power-off state.
- If there is no output after plugging in the power, press the POWER key or any key. This may happen if the POWER key was switched off output before power off.
- If you want to set the current mode to the brightest, hold down the BRT + or BRT-> = for 3 seconds, then the current mode of BRT into the brightest.
- If you want to set the speed of the current mode at the default speed, hold down the SPEED + or SPEED-> = for 3 seconds, then the current mode (must be at dynamic model) is at its default speed of change.
- If you are not sure which mode is on,
  - Click the R or G or B will enter into the MODE18, and then press MODE + or MODE-to find your favorite model.
  - Press PLAY button to MODE17, and then press MODE + or MODE-to find your favorite mode.
- How to DIY remote storage function.  
You can DIY your favorite mode by using the 1-8 keys. Firstly, enter into the mode of your choice, then hold down the "x" key for 3 seconds, the mode of choice would then be set to the "x" number key.

## Key Note



Control Panel



## Mode Functions

No.	Style	Remarks
1	Static red	Brightness adjustable
2	Static green	Brightness adjustable
3	Static blue	Brightness adjustable
4	Static yellow	Brightness adjustable
5	Static purple	Brightness adjustable
6	Static cyan	Brightness adjustable
7	Static white	Brightness adjustable
8	3-colour skipping (RGB)	Brightness and speed adjustable
9	7-colour skipping (red,green, blue,yellow,purple,cyan,white)	Brightness and speed adjustable
10	White colour strobe	Brightness and speed adjustable
11	3-colour smooth (RGB)	Brightness and speed adjustable
12	Full colour smooth	Brightness and speed adjustable
13	RG colour smooth	Brightness and speed adjustable
14	RB colour smooth	Brightness and speed adjustable
15	GB colour smooth	Brightness and speed adjustable
16	White colour fade & change	Brightness and speed adjustable
17	Great cycle	MODE 8-16
18	RGB static dimming	16 levels of brightness per RGB

## Important Notes

- Please ensure to disconnect the power supply before installing.
- Make connections between controller, DC power, RGB LED strip as per wiring diagram.
- Refer to specifications of applicable RGB LED strip.