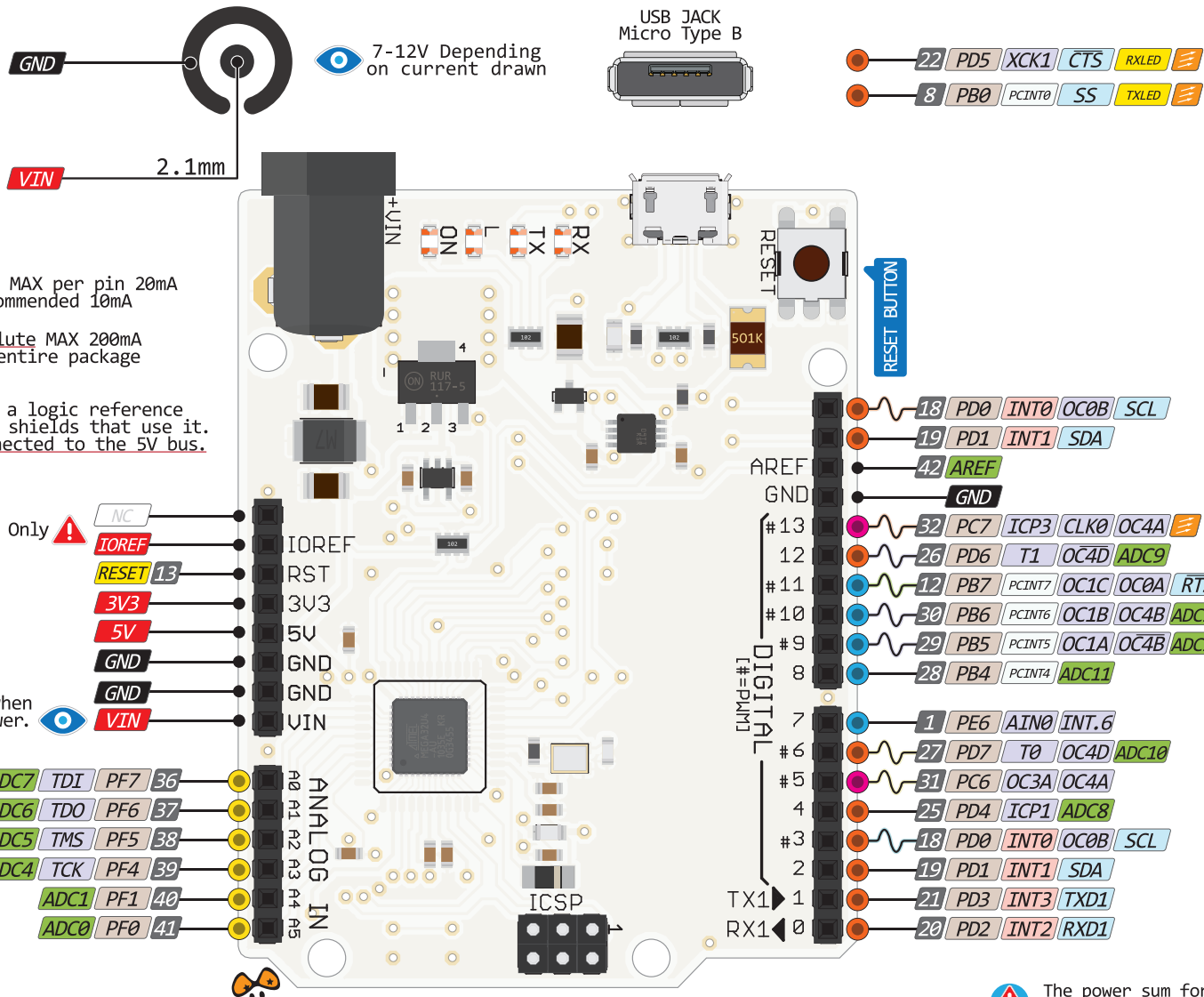


LEONARDO PINOUT



⚠ Absolute MAX per pin 20mA
recommended 10mA

⊘ Absolute MAX 200mA
for entire package

IOREF provides a logic reference voltage for shields that use it. It is connected to the 5V bus.

R3 Only ⚠

The input voltage to the board when it is running from external power. Not USB bus power.

Legend:

- Power
- GND
- Serial Pin
- Analog Pin
- Control
- INT
- Physical Pin
- Port Pin
- Pin function
- Interrupt Pin
- PWM Pin
- Port Power ⚠

PWM TYPE

- 10bit
- 8/16bit
- HS
- 16bit
- 8bit

⚠ The power sum for each pin's group should not exceed 100mA

