

NUD4011

Product Preview Low Current LED Driver

This device is designed to replace discrete solutions for driving LEDs in AC/DC applications. An external resistor allows the circuit designer to set the drive current for different LED arrays. This discrete integration technology eliminates individual components by combining them into a single package, which results in a significant reduction of both system cost & board space. The device is a small surface mount package (SO-8).

Features

- Supplies Constant LED Current for Varying Input Voltages.
- External Resistor Allows Designer to Set Current – up to 100 mA.
- Offered in Surface Mount Package Technology (SO-8).

Benefits

- Maintains a Constant Light Output During Battery Drain.
- One Device Can Be Used for Many Different LED Products.
- Reduces Board Space & Component Count.
- Simplifies Circuit and System Designs.

Typical Applications

- Portables: For Battery Back-up Applications, also Simple Ni-CAD Battery Charging.
- Industrial: General Lighting Applications and Small Appliances.
- Automotive: Tail Lights, Directional Lights, Back-up Light, Dome Light.

PIN FUNCTION DESCRIPTIONS

Pin	Symbol	Description
1	V_{in}	Positive input voltage to the device
2	N/C	No connection
3	R_{ext}	An external resistor between R_{ext} and V_{in} pins sets different current levels for different application needs
4	GND	Ground
5, 6, 7, 8	I_{out}	The LEDs are connected from these pins to ground

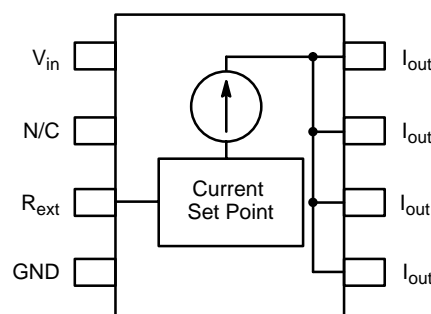
This document contains information on a product under development. ON Semiconductor reserves the right to change or discontinue this product without notice.



ON Semiconductor®

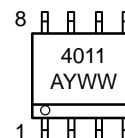
<http://onsemi.com>

PIN CONFIGURATION AND SCHEMATIC



**SO-8
CASE 751**

MARKING DIAGRAM



4011 = Specific Device Code
A = Assembly Location
Y = Year
W = Work Week

ORDERING INFORMATION

Device	Package	Shipping†
NUD4011DR2	SO-8	2500 / Tape & Reel

†For information on tape and reel specifications, including part orientation and tape sizes, please refer to our Tape and Reel Packaging Specification Brochure, BRD8011/D.

NUD4011

MAXIMUM RATINGS (T_J = 25°C unless otherwise noted)

Rating	Symbol	Value	Unit
Input Voltage	V _{in}	200	V
Output Current (For V _{drop} ≤ 12 V), (Note 1)	I _{out}	100	mA
Output Voltage	V _{out}	198	V
Human Body Model (HBM)	ESD	2000	V

1. $V_{drop} = V_{in} - 0.7 V - V_{LEDs}$

THERMAL CHARACTERISTICS

Characteristic	Symbol	Value	Unit
Operating Ambient Temperature	T _A	-40 to +125	°C
Maximum Junction Temperature	T _J	150	°C
Storage Temperature	T _{STG}	-55 to +150	°C
Total Power Dissipation (Note 2) Derating above 25°C (Fig. 3)	P _D	1.25 10	W mW/°C
Thermal Resistance Junction-to-Ambient (Note 2)	R _{θJA}	100	°C/W

2. Mounted onto FR-4, 1" pad, 1 oz coverage.

ELECTRICAL CHARACTERISTICS (T_J = 25°C unless otherwise noted)

Characteristic	Symbol	Min	Typ	Max	Unit
Output Current1 (V _{in} = 12 V, R _{ext} = 7.0 Ω, V _{LEDs} = 7.0 V)	I _{out1}	-	100	-	mA
Output Current2 (V _{in} = 200 V, R _{ext} = 140 Ω, V _{LEDs} = 7.0 V)	I _{out2}	-	5.0	-	mA
Bias Current (V _{in} = 12 V, R _{ext} = Open, V _{LEDs} = 7.0 V)	I _{Bias}	-	0.5	-	mA
Voltage Overhead (Note 3)	V _{over}	1.4	-	-	V

3. $V_{over} = V_{in} - V_{LEDs}$

NUD4011

TYPICAL PERFORMANCE CURVES

($T_J = 25^\circ\text{C}$ unless otherwise noted)

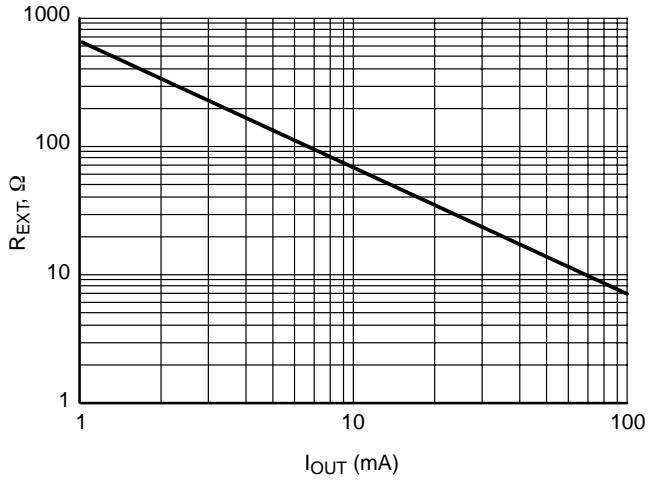


Figure 1. Output Current (I_{OUT}) vs. External Resistor (R_{EXT})

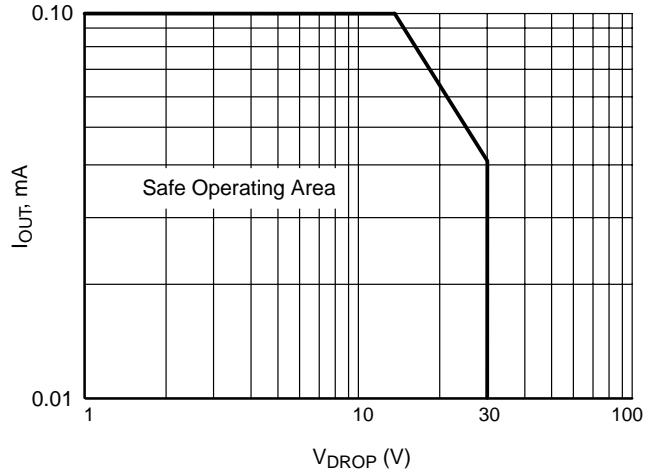


Figure 2. Voltage Across Driver (V_{DROP}) vs. Output Current (I_{OUT})

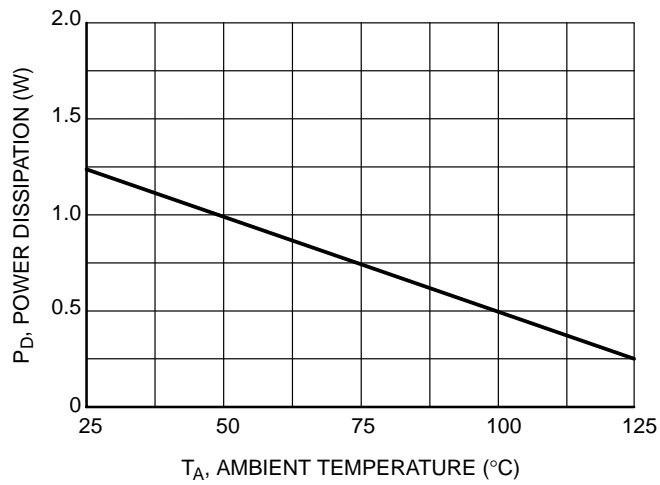


Figure 3. Max Power Dissipation (P_D) vs. Ambient Temperature (T_A)

APPLICATION INFORMATION

Design Guide

1. Determine I_{out} – LED’s current:
 - a. $I_{LED} = 100 \text{ mA}$
2. Calculate Resistor Value for R_{ext} :
 - a. $R_{ext} = 0.7 \text{ V} / I_{out}$
 - b. $R_{ext} = 0.7/0.100 = 7 \text{ ohms}$
3. Define V_{in} :
 - a. Per Example in Fig 4, $V_{in} = 12 \text{ V}$
4. Define V_{LED} @ I_{LED} per LED supplier’s data sheet:
 - b. Per Example in Fig. 4,
 $V_{LED} = 3.5 \text{ V} + 3.5 \text{ V} + 3.5 \text{ V} = 10.5 \text{ V}$
5. Calculate V_{drop} across NUD4011:
 - a. $V_{drop} = V_{in} - 0.7\text{V} - V_{LED}$
 - b. $V_{drop} = 12.0 \text{ V} - 0.7 \text{ V} - 10.5 \text{ V}$
 - c. $V_{drop} = 0.8 \text{ V}$
6. Calculate Power Dissipation (P_D):
 - a. $P_D = V_{drop} * I_{out}$
 - b. $P_D = 0.8 \text{ V} * 0.100 \text{ A}$
 - c. $P_D = 80 \text{ mW}$
7. If $P_D > 1.25 \text{ W}$ (or derated value based on ambient temperature, Fig. 3), then select the most appropriate recourse and repeat steps 1–6:
 - a. Reduce V_{in}
 - b. Reconfigure LED array to reduce V_{drop}
 - c. Reduce I_{out} by increasing R_{ext}

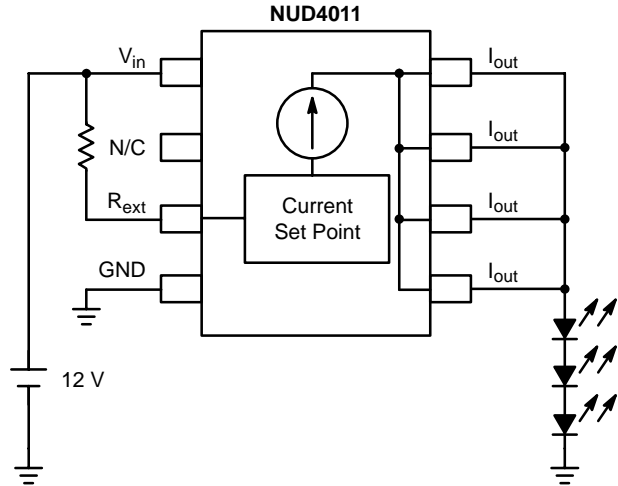
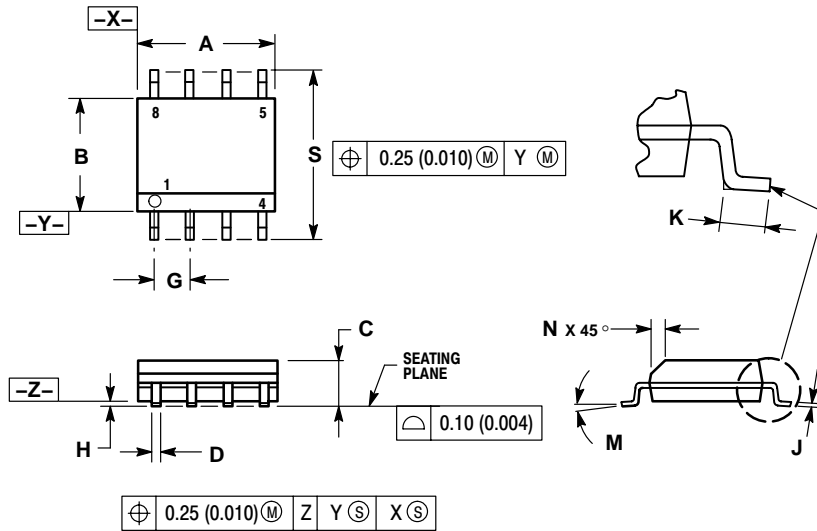


Figure 4. 12 V Application
(Series LED’s Array)

NUD4011

PACKAGE DIMENSIONS

SO-8
CASE 751-07
ISSUE AA

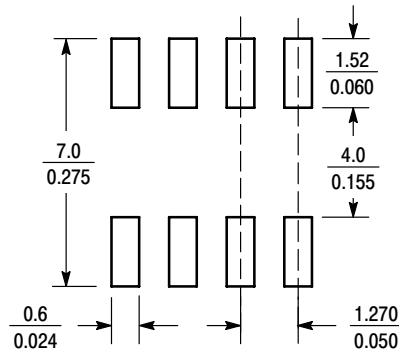


NOTES:

1. DIMENSIONING AND TOLERANCING PER ANSI Y14.5M, 1982.
2. CONTROLLING DIMENSION: MILLIMETER.
3. DIMENSION A AND B DO NOT INCLUDE MOLD PROTRUSION.
4. MAXIMUM MOLD PROTRUSION 0.15 (0.006) PER SIDE.
5. DIMENSION D DOES NOT INCLUDE DAMBAR PROTRUSION. ALLOWABLE DAMBAR PROTRUSION SHALL BE 0.127 (0.005) TOTAL IN EXCESS OF THE D DIMENSION AT MAXIMUM MATERIAL CONDITION.
6. 751-01 THRU 751-06 ARE OBSOLETE. NEW STANDARD IS 751-07.

DIM	MILLIMETERS		INCHES	
	MIN	MAX	MIN	MAX
A	4.80	5.00	0.189	0.197
B	3.80	4.00	0.150	0.157
C	1.35	1.75	0.053	0.069
D	0.33	0.51	0.013	0.020
G	1.27 BSC		0.050 BSC	
H	0.10	0.25	0.004	0.010
J	0.19	0.25	0.007	0.010
K	0.40	1.27	0.016	0.050
M	0°	8°	0°	8°
N	0.25	0.50	0.010	0.020
S	5.80	6.20	0.228	0.244

SOLDERING FOOTPRINT*



($\frac{\text{mm}}{\text{inches}}$)

*For additional information on our Pb-Free strategy and soldering details, please download the ON Semiconductor Soldering and Mounting Techniques Reference Manual, SOLDERRM/D.

ON Semiconductor and  are registered trademarks of Semiconductor Components Industries, LLC (SCILLC). SCILLC reserves the right to make changes without further notice to any products herein. SCILLC makes no warranty, representation or guarantee regarding the suitability of its products for any particular purpose, nor does SCILLC assume any liability arising out of the application or use of any product or circuit, and specifically disclaims any and all liability, including without limitation special, consequential or incidental damages. "Typical" parameters which may be provided in SCILLC data sheets and/or specifications can and do vary in different applications and actual performance may vary over time. All operating parameters, including "Typicals" must be validated for each customer application by customer's technical experts. SCILLC does not convey any license under its patent rights nor the rights of others. SCILLC products are not designed, intended, or authorized for use as components in systems intended for surgical implant into the body, or other applications intended to support or sustain life, or for any other application in which the failure of the SCILLC product could create a situation where personal injury or death may occur. Should Buyer purchase or use SCILLC products for any such unintended or unauthorized application, Buyer shall indemnify and hold SCILLC and its officers, employees, subsidiaries, affiliates, and distributors harmless against all claims, costs, damages, and expenses, and reasonable attorney fees arising out of, directly or indirectly, any claim of personal injury or death associated with such unintended or unauthorized use, even if such claim alleges that SCILLC was negligent regarding the design or manufacture of the part. SCILLC is an Equal Opportunity/Affirmative Action Employer. This literature is subject to all applicable copyright laws and is not for resale in any manner.

PUBLICATION ORDERING INFORMATION

LITERATURE FULFILLMENT:

Literature Distribution Center for ON Semiconductor
P.O. Box 5163, Denver, Colorado 80217 USA

Phone: 303-675-2175 or 800-344-3860 Toll Free USA/Canada

Fax: 303-675-2176 or 800-344-3867 Toll Free USA/Canada

Email: orderlit@onsemi.com

N. American Technical Support: 800-282-9855 Toll Free
USA/Canada

Japan: ON Semiconductor, Japan Customer Focus Center

2-9-1 Kamimeguro, Meguro-ku, Tokyo, Japan 153-0051

Phone: 81-3-5773-3850

ON Semiconductor Website: <http://onsemi.com>

Order Literature: <http://www.onsemi.com/litorder>

For additional information, please contact your
local Sales Representative.