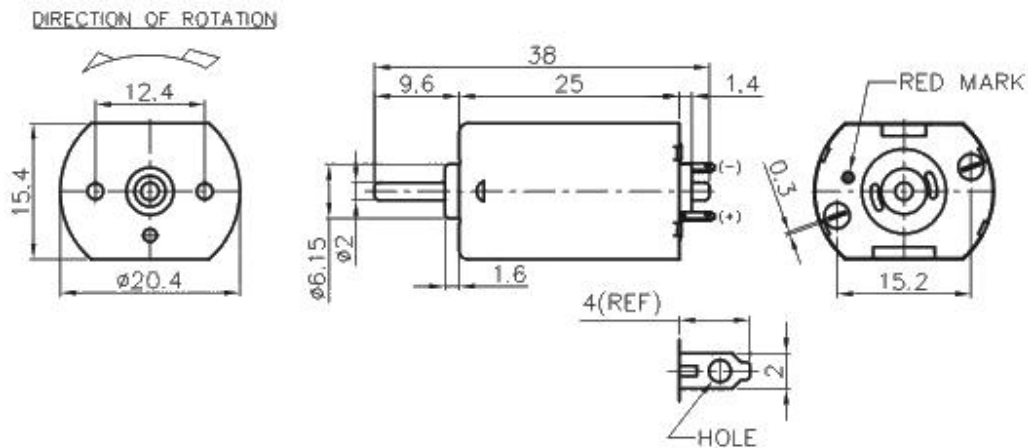




P/N	Model No.	Voltage		NO LOAD		AT MAXIMUM EFFICIENCY				STALL	
		Operating Range	Normal	Speed	Current	Speed	Current	Torque	Output	Current	Torque
		V	V	rpm	A	rpm	A	g.cm	W	A	g.cm
231750	PC-130SF-09400	6.0-24.0	12.0	7000	0.060	5130	0.150	14.32	0.75	0.450	57.70
231732	PC-130SF-09480	6.0-24.0	12.0	6000	0.050	4800	0.108	12.33	0.61	0.375	55.00



WEIGHT : 24g(APPROX)

