

PRODUCT SPECIFICATION



High Power DMX Decoder&driver
Model: PX24500(RJ45 INTERFACE)

Meets DMX512/1990
Can drive 5A(Each CH.)
Can drive many kinds of LED lamps

SUMMARIZE

Thank you for using PX series DMX512 decoder. With advanced micro-computer control technology, PX series convert the widely used DMX512/1990 signal to analog signal. Can choose 1~3 output channel, 256-level brightness control. For connecting of light console and analog device, or lighting & building lamps controlling.

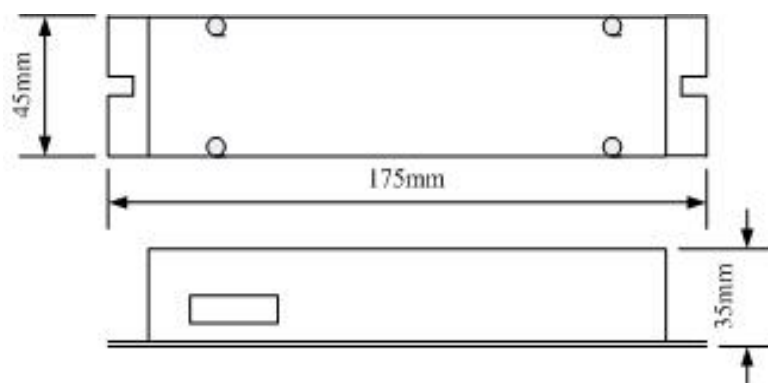
FEATHERS

- ◆ Meets DMX512/1990
- ◆ 256-level brightness, full-color control
- ◆ 3 output CH., can drive 5A (Each CH.)
- ◆ With control system, can express perfect effect
- ◆ Can drive 1~3 channel of each lamp
- ◆ Can set the DMX address freely
- ◆ High interference resistant, over-heat and over-current protect, self-recovery function available
- ◆ Can be custom-made

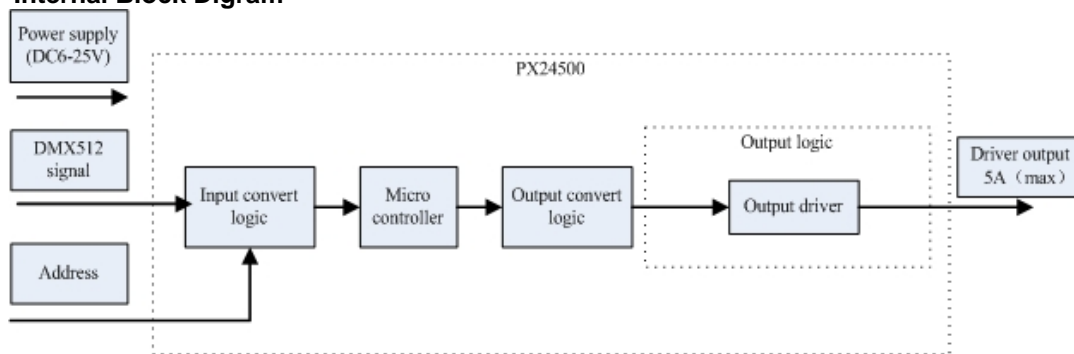
TECH. CHARACTERISTICS

Decode CH.:	1~3
Input Signal:	DMX-512/1990 digital signal
Output Signal:	0~24V PWM signal, can drive 5A (Each CH.)
Power Supply:	DC, +12~25V
Power Dis.:	<1W
Power Output:	<360W(24V); <180W(12V)
Operating Temp.:	0~70°C
Size:	175(mm)*45(mm)*35(mm), can be custom-made
Weight:	≤300g

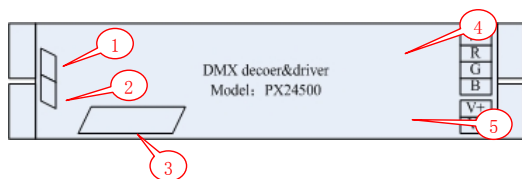
DIMENSION



Internal Block Diagram



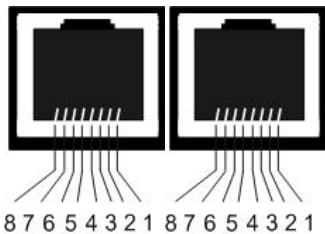
Appearance



- (1) DMX signal input interface(RJ45)
- (2) DMX signal output interface(RJ45)
- (3) Address setting interface
- (4) Driver output interface
- (5) Power input interface

Interface Introduction

◆ DMX signal interface



- 1: DATA+
- 2: DATA-
- 3-6: NC
- 7-8: GND

◆ Address setting interface

How to use See "DMX series of addresses dial code table"

◆ Power input interface

DC 12-25V input,supply power for decoder and the lamps it takes.

◆ Driver output interface

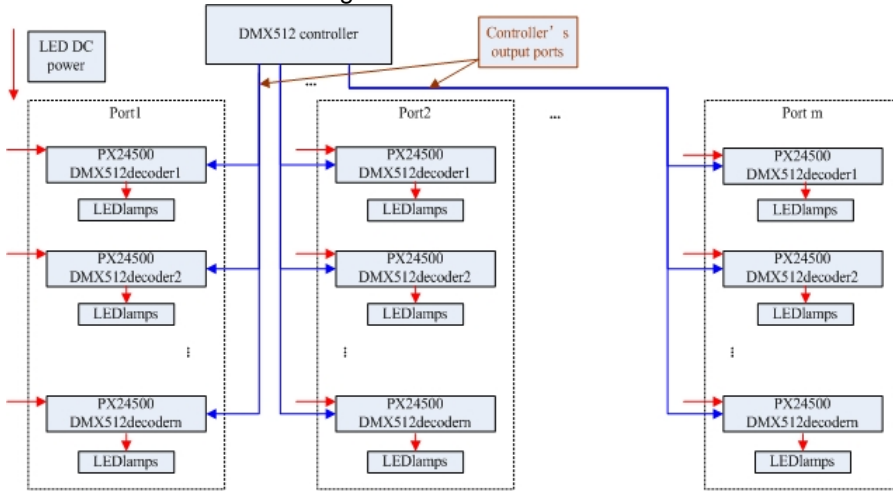
Common anode,V+ and R,G,B interface, can drive kinds of RGB module or single-color module, Can regulate output current according to the actual load.

remark:

Connect the anode and RGB wire of common anode RGB module to the output interface of decoder directly; Connect the anode wire of single-color module to V+ on decoder,and connect the cathode wire to one of RGB pin according to the LED's color; Connect several colors single-color module to one decoder,please connect their anode wires to V+ pin on decoder.

How To Use

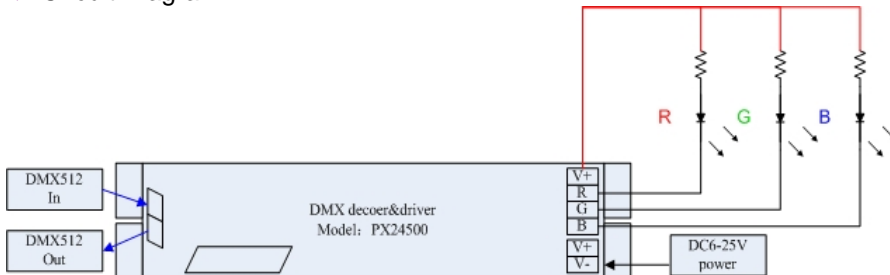
PX24500 is controlled by DMX-512 digital signal。The frontage is DMX512 transmitter, take EC-DMX512 for example,to control 0~24V analog devices.We suppose to drive LED to introduce it.The connecting is below:



Notes:
 1.m is the amount of controller output port
 2.n is the max. amount of terminals for each port
 The upwards is according to controller

TYPICAL APPLICATIONS

◆ Circuit Diagram 1



Connecting of DMX-512 Signal

- ◆ The wire for DMX signal is STP, the DMX signal has positive and negative signal. Pay attention to the polarity while soldering. Connect the positive signal, negative signal and GND to the corresponding signal of PX24500.
- ◆ Connect a signal terminal at the end of the whole connection (To be PX24500 DIP switches set aside under section 10 can)