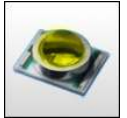


## ROCKET-3 lenses for Cree XLamp® XR, XR-C & XR-E



- Designed for Cree XR-C and XR-E series of LEDs. Can be used with XR, too.
- Lens material optical grade PMMA with high UV and temperature resistance (105°C/220°F)
- High optical efficiency, >85%
- No lens holder. Fastening to heat sink with droplets of glue. NOTE: legs go into the PCB by 1.2 mm only, do not go thru a normal MCPCB
- Diameter 50 mm (MR16)
- Easy build of a complete luminaire using ROCKET-3, XLamp® and heat sink
- Mechanical CAD models available upon request
- All 3 lens types have the same outer dimensions.

### LENS TYPES

NAME	ORDERING CODE	FWHM Angle, with XR-E
ROCKET-3 spot	C10366 Rocket-3-S	±5°
ROCKET-3 medium	C10367 Rocket-3-M	±10°
ROCKET-3 wide	C10365 Rocket-3-W	±25°



ROCKET-3-S



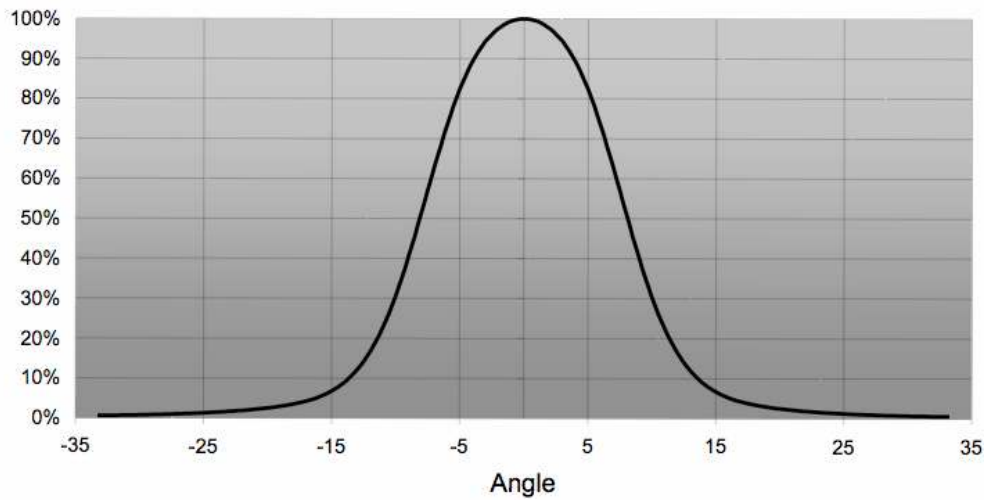
ROCKET-3-M



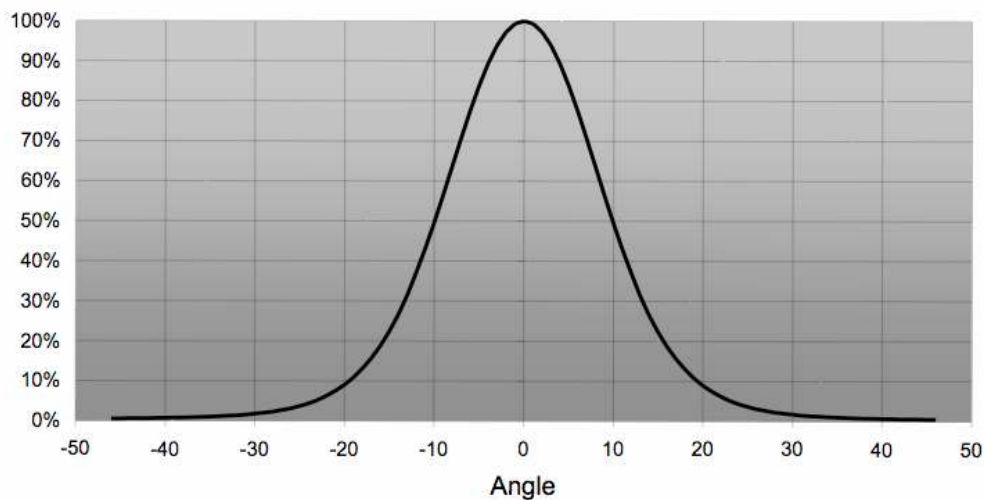
ROCKET-3-W

**MEASUREMENT DATA**

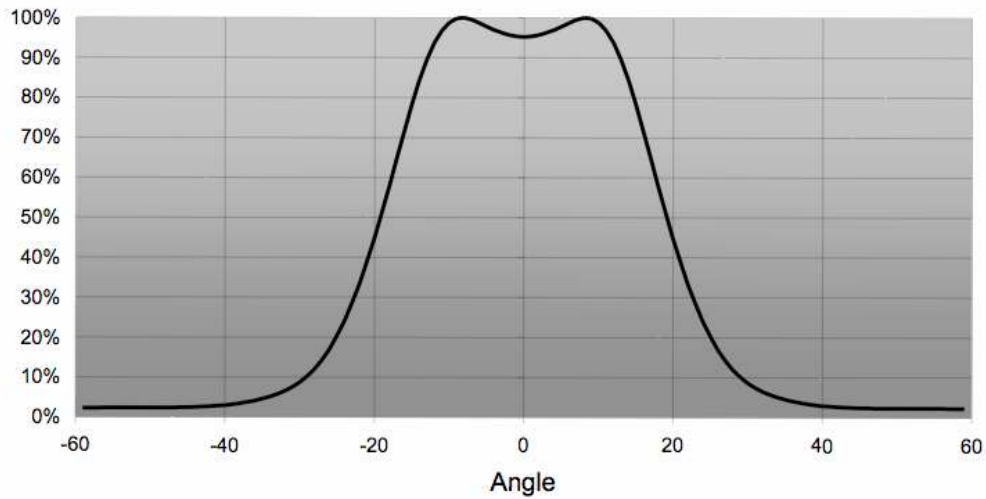
Relative intensity of ROCKET-3-S



Relative intensity of ROCKET-3-M



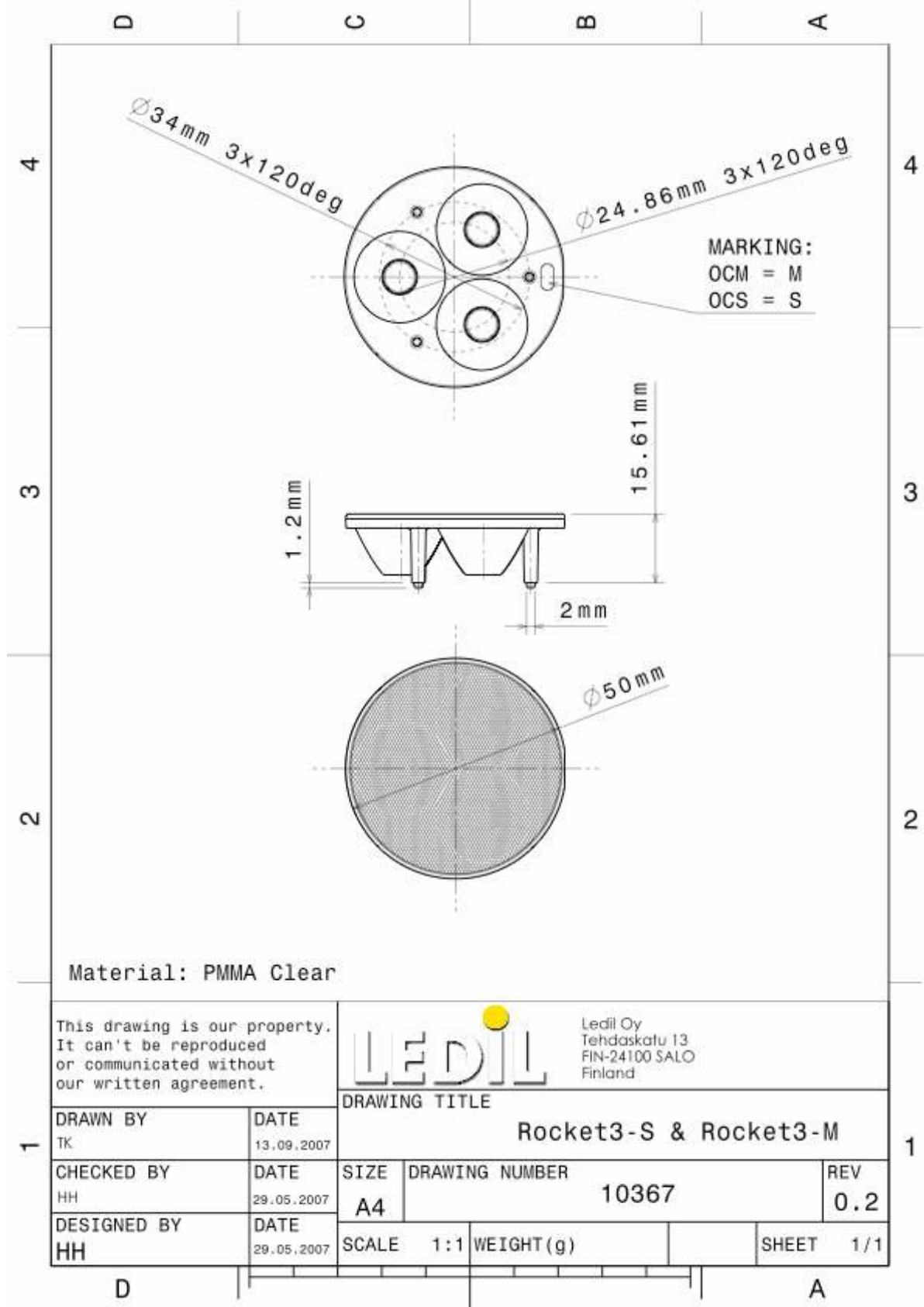
Relative intensity of ROCKET-3-W



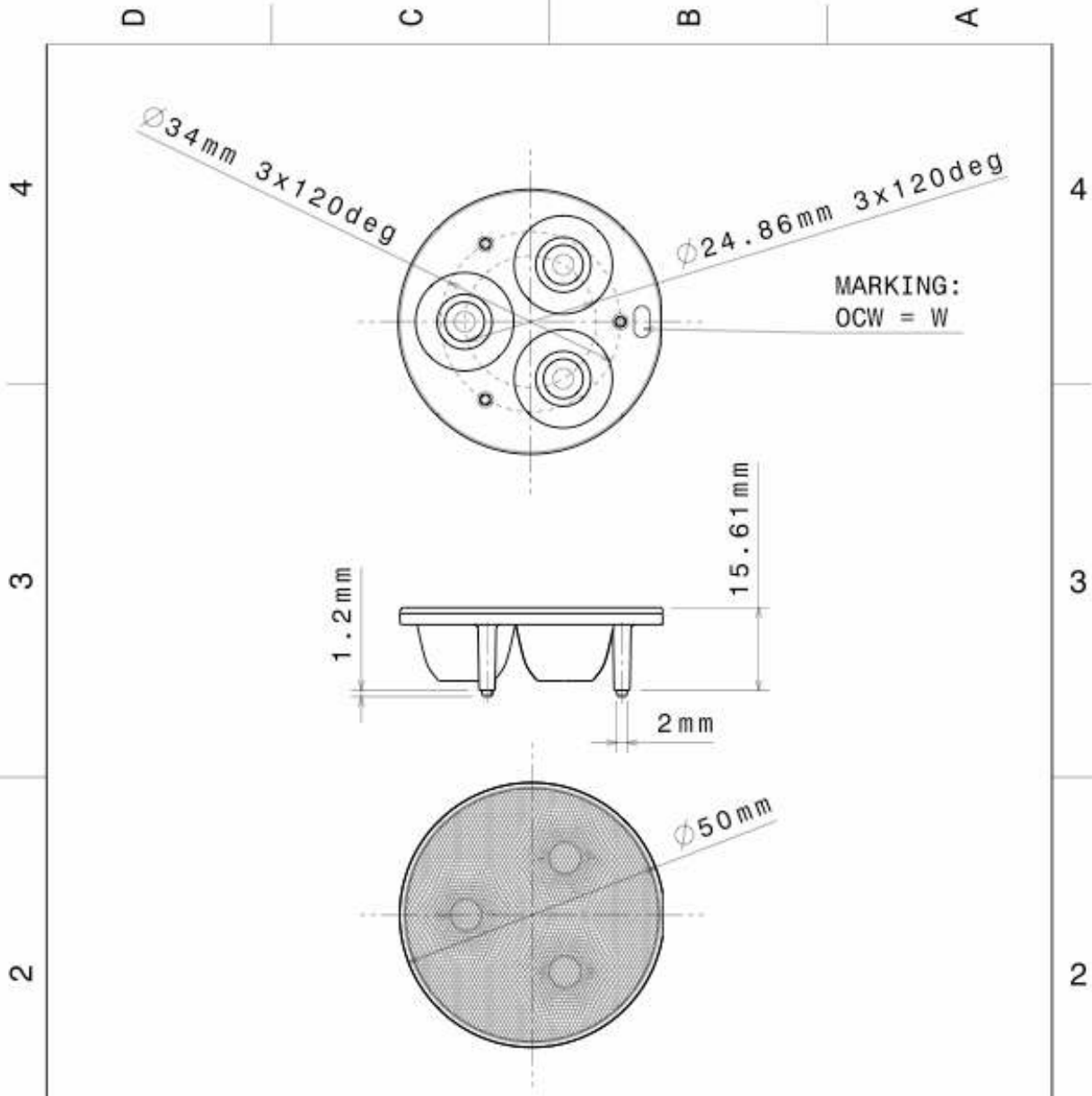
## PACKAGING

Lenses are packed in carton boxes of 364 pieces in each box.

## DRAWINGS



© Ledil Oy - PRELIMINARY - Subject to change without prior notice



Material: PMMA Clear

This drawing is our property. It can't be reproduced or communicated without our written agreement.



Ledil Oy  
Tehdaskatu 13  
FIN-24100 SALO  
Finland

DRAWN BY TK		DATE 13.09.2007	DRAWING TITLE <b>Rocket3-W</b>			1
CHECKED BY HH	DATE 29.05.2007	SIZE A4	DRAWING NUMBER 10365	REV 0.2		
DESIGNED BY HH	DATE 29.05.2007	SCALE 1:1	WEIGHT (g)	SHEET 1/1		