



**DC COMPONENTS CO., LTD.**

RECTIFIER SPECIALISTS

KBU8A / RS801

THRU

KBU8M / RS807

**TECHNICAL SPECIFICATIONS OF SINGLE-PHASE SILICON BRIDGE RECTIFIER**

VOLTAGE RANGE - 50 to 1000 Volts

CURRENT - 8.0 Amperes

**FEATURES**

- \* Low leakage
- \* Low forward voltage
- \* Surge overload rating: 250 Amperes peak

**MECHANICAL DATA**

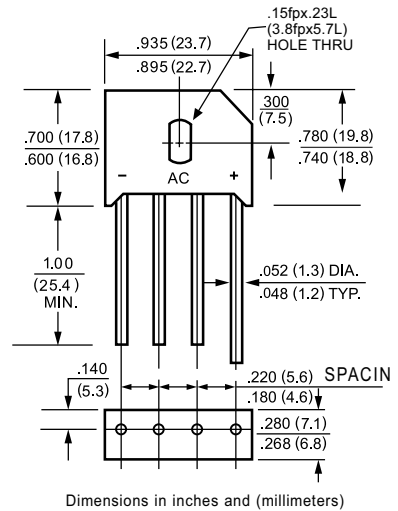
- \* Case: Molded plastic
- \* Epoxy: UL 94V-0 rate flame retardant
- \* Lead: MIL-STD-202E, Method 208 guaranteed
- \* Polarity: Symbols molded or marked on body
- \* Mounting position: Any
- \* Weight: 4.8 grams

**MAXIMUM RATINGS AND ELECTRICAL CHARACTERISTICS**

Ratings at 25 °C ambient temperature unless otherwise specified.  
 Single phase, half wave, 60 Hz, resistive or inductive load.  
 For capacitive load, derate current by 20%.



KBU



		KBU8A	KBU8B	KBU8D	KBU8G	KBU8J	KBU8K	KBU8M	UNITS	
SYMBOL		RS801	RS802	RS803	RS804	RS805	RS806	RS807		
Maximum Recurrent Peak Reverse Voltage		50	100	200	400	600	800	1000	Volts	
Maximum RMS Bridge Input Voltage		35	70	140	280	420	560	700	Volts	
Maximum DC Blocking Voltage		50	100	200	400	600	800	1000	Volts	
Maximum Average Forward Rectified Output Current at Tc = 75°C		Io							8.0	Amps
Peak Forward Surge Current 8.3 ms single half sine-wave superimposed on rated load		IFSM							250	Amps
Maximum Forward Voltage Drop per element at 4.0A DC		VF							1.0	Volts
Maximum DC Reverse Current at Rated DC Blocking Voltage per element	@TA = 25°C	IR							10	uAmps
	@Tc = 100°C								500	
I²t Rating for Fusing (t<8.3ms)		I²t							127	A²Sec
Typical Junction Capacitance ( Note1)		CJ							186	pF
Typical Thermal Resistance (Note 2)		RθJA							10	°C/W
Operating and Storage Temperature Range		TJ,Tstg							-55 to + 150	°C

NOTES : 1.Measured at 1 MHz and applied reverse voltage of 4.0 volts

2. Thermal Resistance from Junction to Ambient and from junction to leadmounted on P.C.B. with 0.47 x 0.47" (12x12mm) copper pads.

# RATING AND CHARACTERISTIC CURVES

( KBU8A THRU KBU8M )  
 ( RS801 THRU RS807 )

FIG. 1 - MAXIMUM NON-REPETITIVE FORWARD SURGE CURRENT

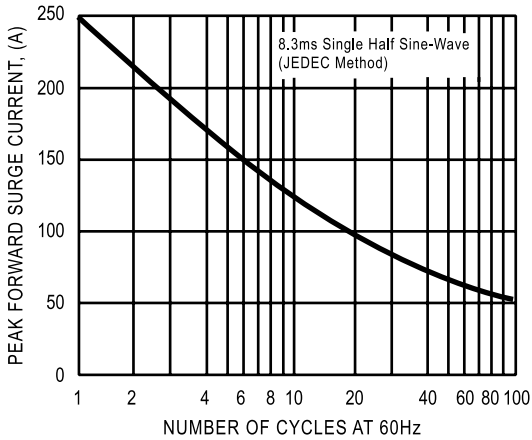


FIG. 2 - TYPICAL FORWARD CURRENT DERATING CURVE

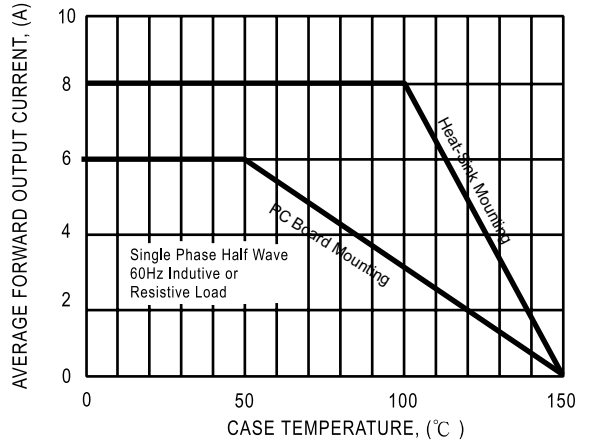


FIG. 3 - TYPICAL INSTANTANEOUS FORWARD CHARACTERISTICS

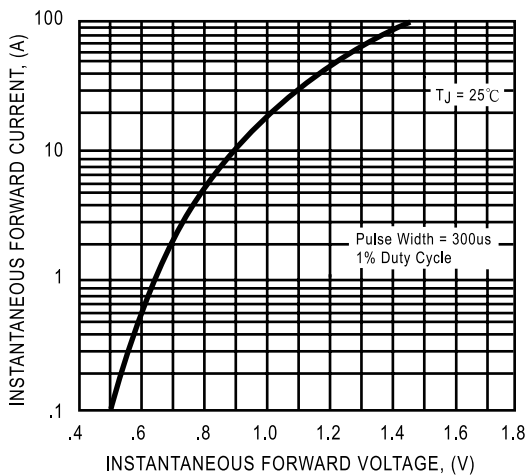
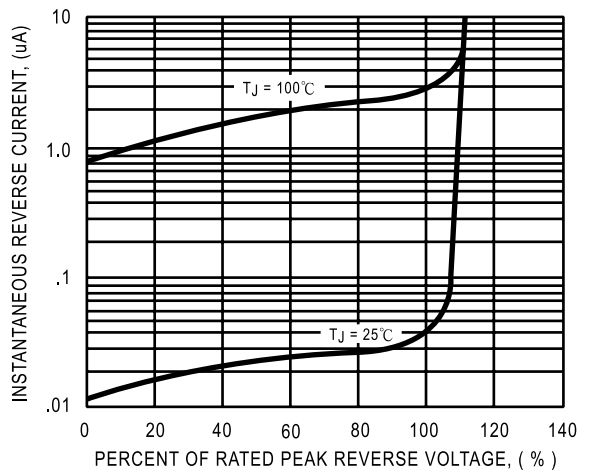


FIG. 4 - TYPICAL REVERSE CHARACTERISTICS



DC COMPONENTS CO., LTD.

This datasheet has been download from:

[www.datasheetcatalog.com](http://www.datasheetcatalog.com)

Datasheets for electronics components.