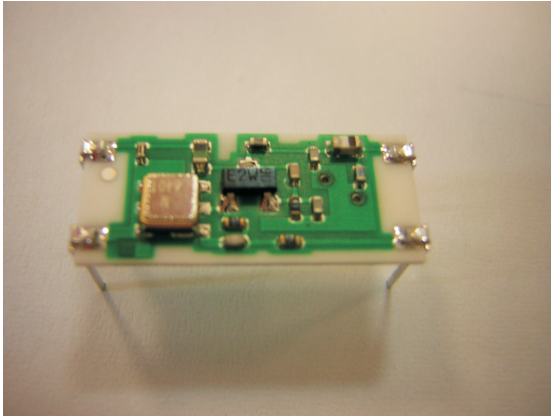


RT40-XXX

SAW Resonator Radio Transmitter Module



General description

The RT40-XXX is an hybrid circuit that allows to realize a complete radio transmitter adding a coding circuit.

Small size.

Low current consumption.

Optimized Power RF output at low voltage level.

Pinout compatible with RT4/RT14.

It shows stable electric characteristics thanks to the "Thick film hybrid" technology.

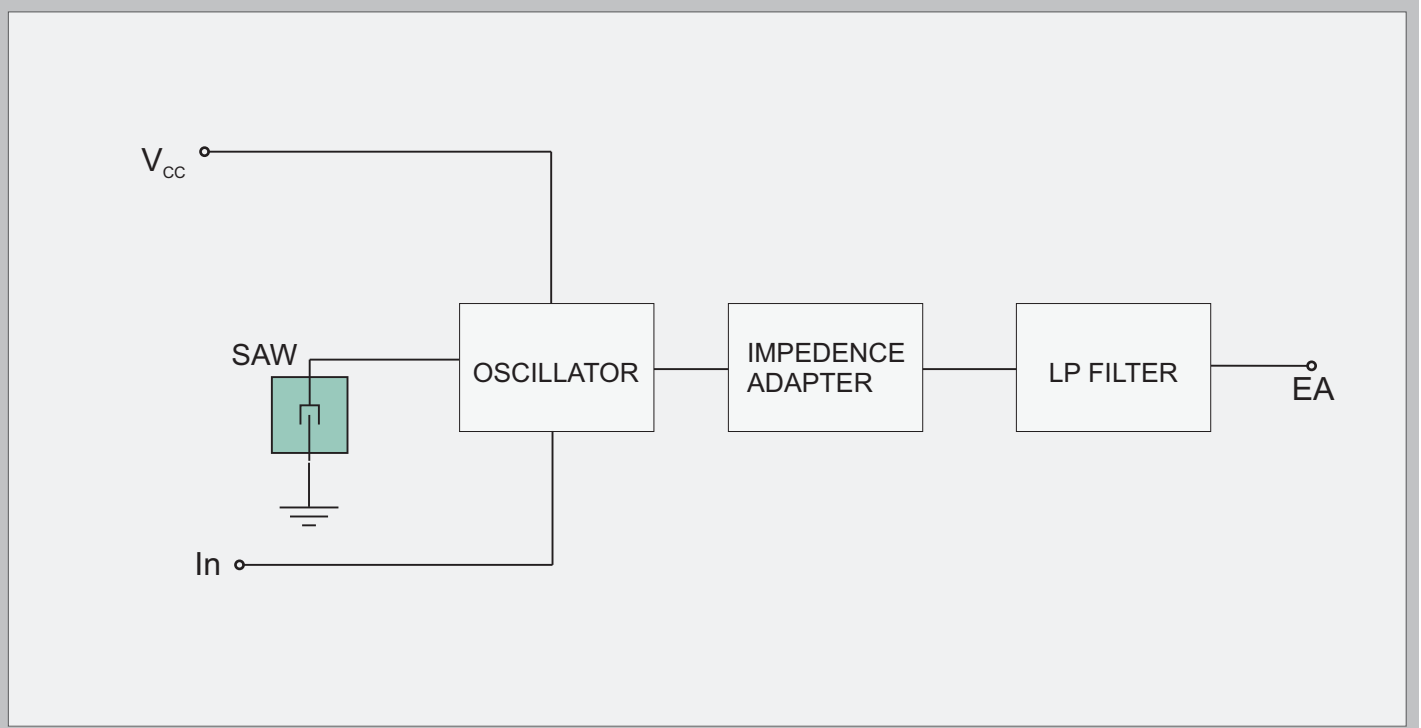
Features

- High Reliability
- DIL Package

Applications

- Wireless security systems
- Car Alarm systems
- Remote gate controls
- Sensor reporting

CIRCUIT SCHEMATIC



Electrical Characteristics

Ta = 25°C unless otherwise specified

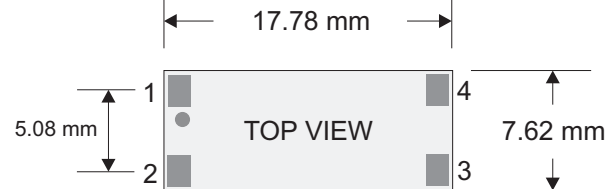
CHARACTERISTICS		MIN	TYP	MAX	UNIT
V _{CC}	Supply Voltage	2	5	14	VDC
I _s	Supply Current (IN=1KHz Square Wave 2Vpp to 5Vpp)	1	3	4	mA
F _w	Working Frequency		433.92		Mhz
P _o	RF Output Power into 50Ω (Vi=3V, Vcc=3V)	0.5	2	3.5	dBm
P _o	RF Output Power into 50Ω (Vi=5V, Vcc=5V)	6.5	8	9.5	dBm
P _o	RF Output Power into 50Ω (Vi=5V, Vcc=12V)	7.5	9	10	dBm
P _o	RF Output Power into 50Ω (Vi=2V, Vcc=2V)	-8	-4	0	dBm
Harmonic Spurious Emission below 1GHz (Vi=5V, Vcc=5V)			-42	-36	dBm
Harmonic Spurious Emission above 1GHz (Vi=5V, Vcc=5V)			-35	-30	dBm
Max Data Rate				9.6	Kbit/s
V _{in}	Input High Voltage	2		V _{CC}	V
T _{OP}	Operating Temperature Range	-25		+80	°C

Typically, equipment utilizing this device requires emissions testing and government approval, which is the responsibility of the equipment manufacturer. When the component is powered with a VCC > 5Vdc and VIN ≤ 5 volt, we guarantee the conformity to ETSI 300-220 also with an antenna that has a gain up to 0 dBi.

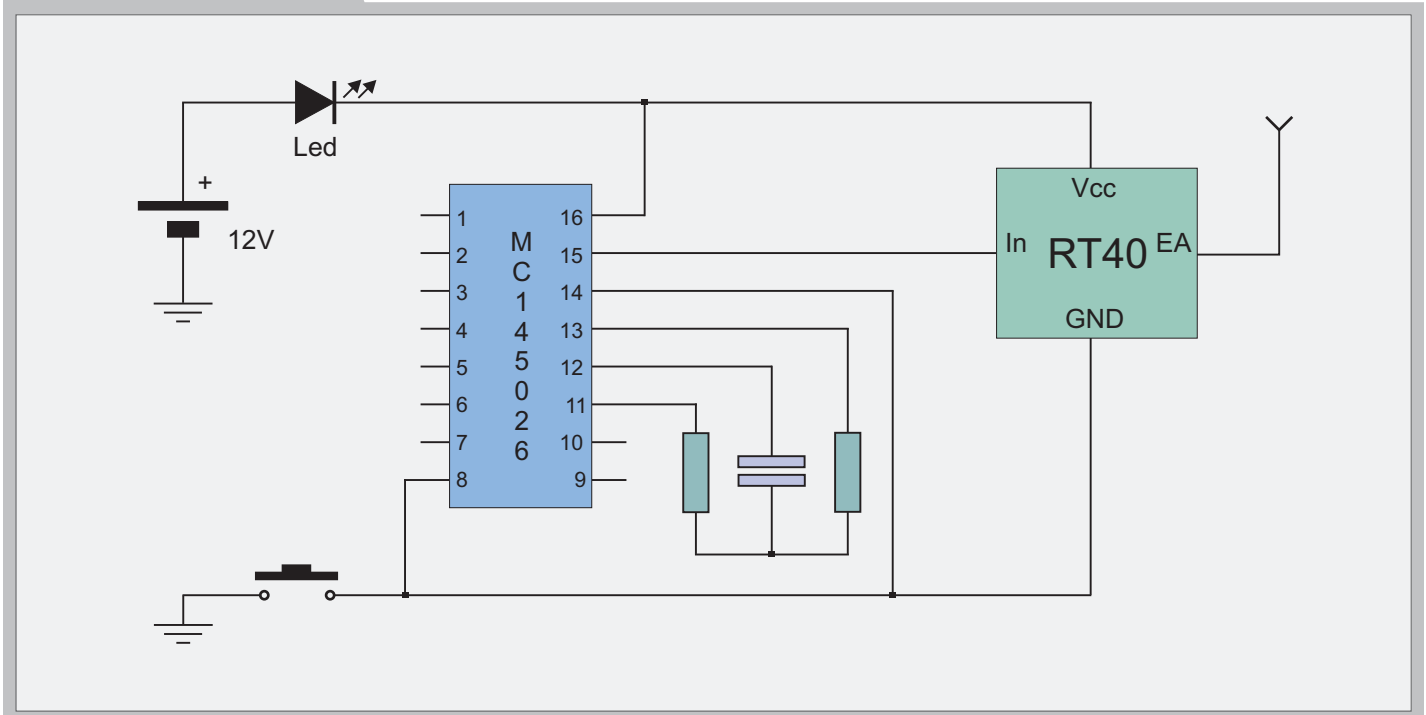
Pin Description

1	V _{CC}	Supply Voltage
2	GND	Ground
3	IN	Modulation Input
4	EA	External Antenna

Mechanical Dimensions



TYPICAL APPLICATION



Telecontrolli Srl has an on going policy to improve the performance and reliability of their products; we therefore reserve the right to make changes without notice. The information contained in our data sheets is believed to be accurate, however we do not assume any liability arising from the application or use of any product or circuit.



Web Site: www.telecontrolli.com

HEAD OFFICE & PLANT

Via Nazionale delle Puglie, 177
80026 CASORIA (NA), Italy
Tel: +39 081 7599033
Fax: +39 081 7596494

SALES OFFICE

sales @ telecontrolli.com