

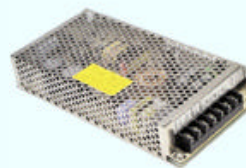


# MEAN WELL

SWITCHING POWER SUPPLY  
ISO-9001 CERTIFIED MANUFACTURER

## S-100 SERIES

- .LOW COST, HIGH RELIABILITY
- .105°C OUTPUT CAPACITOR
- .INTERNATIONAL AC INPUT RANGE
- .HIGH EFFICIENCY, LOW WORKING TEMPERATURE
- .SOFT-START CIRCUIT, LIMITING AC SURGE CURRENT
- .SHORT CIRCUIT, OVERLOAD PROTECTED
- .COMPACT SIZE, LIGHT WEIGHT
- .100% FULL LOAD BURN-IN TEST
- .BUILT IN EMI FILTER, LOW RIPPLE NOISE



MODEL	S-100-3	S-100-5	S-100-7.5	S-100-12	S-100-15	S-100-24	S-100-27	S-100-48	
DC OUTPUT VOLTAGE	3V	5V	7.5V	12V	15V	24V	27V	48V	
OUTPUT V. TOLERANCE	±2%	±2%	±1%	±1%	±1%	±1%	±1%	±1%	
OUTPUT RATED CURRENT	20A	20A	13.6A	8.5A	6.7A	4.5A	3.7A	2A	
OUTPUT CURRENT RANGE	0-20A	0-20A	0-13.6A	0-8.5A	0-6.7A	0-4.5A	0-3.7A	0-2A	
RIPPLE & NOISE	100mVp-p	100mVp-p	100mVp-p	100mVp-p	100mVp-p	100mVp-p	100mVp-p	100mVp-p	
LINE REGULATION	±0.5%	±0.5%	±0.5%	±0.3%	±0.3%	±0.2%	±0.2%	±0.2%	
LOAD REGULATION	±0.5%	±0.5%	±0.5%	±0.3%	±0.3%	±0.2%	±0.2%	±0.2%	
DC OUTPUT POWER	60W	100W	102W	102W	100.5W	108W	99.9W	96W	
EFFICIENCY	70%	78%	80%	81%	81%	84%	84%	84%	
DC VOLTAGE ADJ.	2.85-3.3V	4.75-5.5V	6.75-8.25V	10.8-13.2V	13.5-16.5V	21.6-26.4V	26-32V	43.2-52.8V	
INPUT VOLTAGE RANGE	85~132VAC / 180~264VAC SELECTED BY SWITCH 47~63Hz; 255~370VDC								
AC CURRENT	2.4A/115V 1.2A/230V								
INRUSH CURRENT	COLD START 30A/115V 60A/230V								
LEAKAGE CURRENT	<1mA/240VAC								
OVERLOAD PROTECTION	105~150%	150~200%	105~150%						
	TYPE:OUTPUT SHUTDOWN RESET:RECYCLE AC ON / OFF								
OVER VOLTAGE PROTECTION	-----								
OVER TEMP. PROTECTION	-----								
TEMP. COEFFICIENT	±0.03% / °C (0~50°C)								
SETUP, RISE, HOLD UP TIME	200ms, 80ms, 20ms								
VIBRATION	10~500Hz, 2G 10min./1cycle, PERIOD FOR 60min. EACH AXES								
WITHSTAND VOLTAGE	I/P-O/P:1.5KVAC I/P-FG:1.5KVAC O/P-FG:0.5KVAC								
ISOLATION RESISTANCE	I/P-O/P, I/P-FG, O/P-FG:500VDC / 100M Ohms								
WORKING TEMP., HUMIDITY	-10°C~+60°C(REFER TO OUTPUT DERATING CURVE), 20%~90% RH								
STORAGE TEMP., HUMIDITY	-20°C~+85°C, 10%~95% RH								
DIMENSION	199*98*38mm CASE:902								
WEIGHT	0.65Kgs								
SAFETY STANDARDS	MEET UL1012 REQUIREMENT (NOT APPLY FOR THE MARK)								
EMC STANDARDS	MEET FCC PART15 J CONDUCTION CLASS B								

NOTE : 1.ALL PARAMETERS ARE SPECIFIED AT 230VAC INPUT, RATED LOAD, 25°C 70% RH. AMBIENT.  
 2.TOLERANCE : INCLUDE SET UP TOLERANCE, LINE REGULATION, LOAD REGULATION.  
 3.RIPPLE & NOISE ARE MEASURED AT 20MHz BY USING A 12" TWISTED PAIR TERMINATED WITH A 0.1uF & 47uF CAPACITOR.  
 4.LINE REGULATION IS MEASURED FROM LOW LINE TO HIGH LINE AT RATED LOAD.  
 5.LOAD REGULATION IS MEASURED FROM 0% TO 100% RATED LOAD.

2002-10-22

[NEXT \(MECHANICAL INFO\)](#)

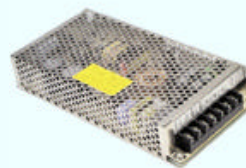


**MEAN WELL**  
**SWITCHING POWER SUPPLY**  
 ISO-9001 CERTIFIED MANUFACTURER

**S-100**  
**SERIES**

- .LOW COST, HIGH RELIABILITY
- .105°C OUTPUT CAPACITOR
- .INTERNATIONAL AC INPUT RANGE
- .HIGH EFFICIENCY, LOW WORKING TEMPERATURE
- .SOFT-START CIRCUIT, LIMITING AC SURGE CURRENT
- .SHORT CIRCUIT, OVERLOAD PROTECTED

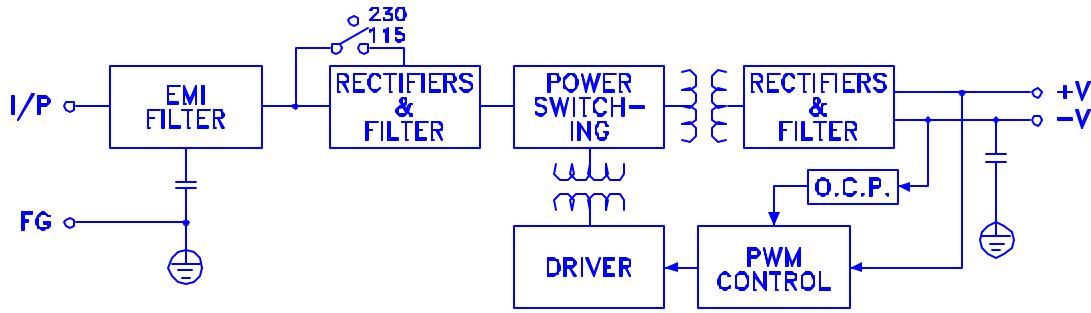
- .COMPACT SIZE, LIGHT WEIGHT
- .100% FULL LOAD BURN-IN TEST
- .BUILT IN EMI FILTER, LOW RIPPLE NOISE



MODEL	S-100-10	S-100-18
SPECIFICATION		
DC OUTPUT VOLTAGE	10V	18V
OUTPUT V. TOLERANCE	±1%	±1%
OUTPUT RATED CURRENT	10A	5.6A
OUTPUT CURRENT RANGE	0-10A	0-5.6A
RIPPLE & NOISE	100mVp-p	100mVp-p
LINE REGULATION	±0.3%	±0.3%
LOAD REGULATION	±0.3%	±0.3%
DC OUTPUT POWER	100W	100.8W
EFFICIENCY	80%	82%
DC VOLTAGE ADJ.	9-11V	16.2-19.8V
INPUT VOLTAGE RANGE	85~132VAC / 180~264VAC SELECTED BY SWITCH 47~63Hz; 255~370VDC	
AC CURRENT	2.4A/115V 1.2A/230V	
INRUSH CURRENT	COLD START 30A/115V 60A/230V	
LEAKAGE CURRENT	<1mA/240VAC	
OVERLOAD PROTECTION	105~150%	
	TYPE:OUTPUT SHUTDOWN RESET:RECYCLE AC ON / OFF	
OVER VOLTAGE PROTECTION	-----	
OVER TEMP. PROTECTION	-----	
TEMP. COEFFICIENT	±0.03% / °C (0~50° C)	
SETUP, RISE, HOLD UP TIME	200ms, 80ms, 20ms	
VIBRATION	10~500Hz, 2G 10min./1cycle, PERIOD FOR 60min. EACH AXES	
WITHSTAND VOLTAGE	I/P-O/P:1.5KVAC I/P-FG:1.5KVAC O/P-FG:0.5KVAC	
ISOLATION RESISTANCE	I/P-O/P, I/P-FG, O/P-FG:500VDC / 100M Ohms	
WORKING TEMP., HUMIDITY	-10° C~+60° C(REFER TO OUTPUT DERATING CURVE), 20% ~90% RH	
STORAGE TEMP., HUMIDITY	-20° C~+85° C, 10% ~95% RH	
DIMENSION	199*98*38mm CASE:902	
WEIGHT	0.65Kgs	
SAFETY STANDARDS	MEET UL1012 REQUIREMENT (NOT APPLY FOR THE MARK)	
EMC STANDARDS	MEET FCC PART15 J CONDUCTION CLASS B	

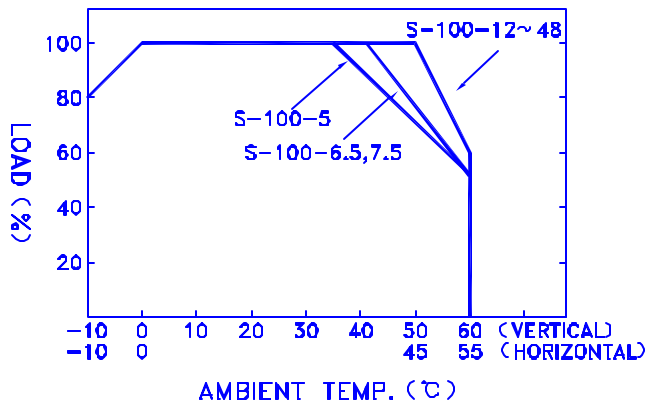
NOTE : 1.ALL PARAMETERS ARE SPECIFIED AT 230VAC INPUT, RATED LOAD, 25° C 70% RH. AMBIENT.  
 2.TOLERANCE : INCLUDE SET UP TOLERANCE, LINE REGULATION, LOAD REGULATION.  
 3.RIPPLE & NOISE ARE MEASURED AT 20MHz BY USING A 12" TWISTED PAIR TERMINATED WITH A 0.1uF & 47uF CAPACITOR.  
 4.LINE REGULATION IS MEASURED FROM LOW LINE TO HIGH LINE AT RATED LOAD.  
 5.LOAD REGULATION IS MEASURED FROM 0% TO 100% RATED LOAD.

## BLOCK DIAGRAM

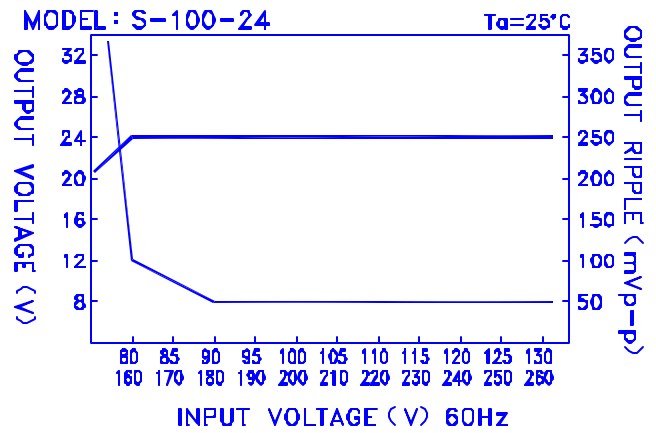


fosc : 25KHz

## OUTPUT DERATING



## STATIC CHARACTERISTICS



## DIMENSION (mm)

- ☒ CASE : 902
- ☒ TERMINAL PIN NO. ASSIGNMENT
  - ☒ PIN 1,2 : AC INPUT
  - ☒ PIN 3 : FG  $\oplus$
  - ☒ PIN 4,5 : DC OUTPUT -V
  - ☒ PIN 6,7 : DC OUTPUT +V

