

SLP01SS

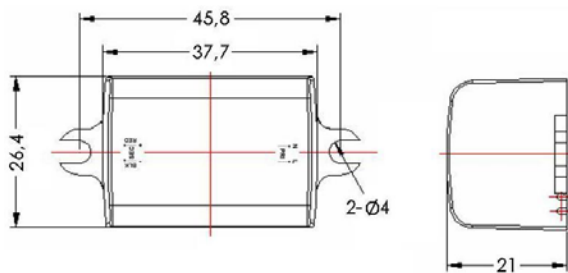
Elektronic LED Power Supply
Drive 1x1,2W/350mA LED
IP65



I. Technical Data

Allgemein	
Input voltage:	100...240V AC
Input current:	0,04A
Frequency:	50/60Hz
Output current:	350mA
Output voltage:	0,5V...4V DC
Load:	1 x 1,2W/350mA LED
Power factor:	>0,5
Efficiency:	≥70% (@ full load)
Reliability (MTBF):	≥50000 hours (@ 25°C and full load)
Ambient temperature:	-20°C...50°C
Surface temperature:	Max. 75°C
Dimmable:	No
Sicherheit und Schutz	
Protection class:	IP65 (casting resin for Innere Schaltung and back side)
Over temperature protection:	integrated, automatic resettable after temperature descending
Short circuit protection:	integrated, automatic resettable after temperature descending
Isolation voltage:	4200V AC / 5mA / 1min
Normen und Approval	
Safety Norm:	EN61347-2-13:2006, EN61347-1:2001, EN60598-1:2004+A1:2006
LVD Norm:	Low voltage Directive 2006/95/EC
EMC Norm:	EN55015:2006, EN61547:1995+A1:2000 EN61000-3-2:2006, EN61000-3-3:1995+A1:2001+A2:2005
Approval:	INTERTEK SEMKO
CE Marking:	Yes
RoHS compatible:	Yes

II. Construction



Drawing for output



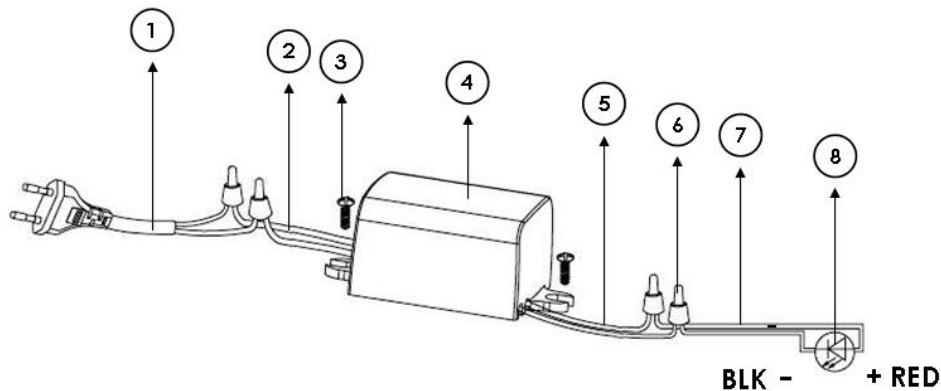
Drawing for input



Unit: mm

Dimension	
Overall (LxBxH):	37,7x26,4x21mm
Fixture:	Fixing with 2xM3 screws
Input drawing	
L:	Live line
N:	Null line
Output drawing	
Output cable:	Red(RD): Positive output (+) Black(BK): Negative output (-) Cable length max. 2m

III. Installation



Please refer to the statement for cable colour in the input and output drawing of housing. The output cable can be allowed max. 2,5m to extend.



DANGER! Don't work with connecting electric power! The components in this device may have deadly voltage und high stored energy! All installation works must be performed with specialized personnel!

Components	
1*	Extended input cable with plug
2	Input cable (short)
3*	Fastening screw
4	LED driver / device body
5	Output cable (short, max. 2,5m)
6*	Cable connector
7*	Extended output cable
8*	1...3 x1,2W/350mA LED

* not inclusive in the product packing