

# SPRING RC

## Model: SM-S3483M



± 60°



www.springrc.cn



Model: SM-S3483M

Recommended for : electro car, robotics

Item No: 5443034

Product brochure

Metal gear , coreless motor , double ball bearing , aluminum mesochife , rapid reaction

Products packing

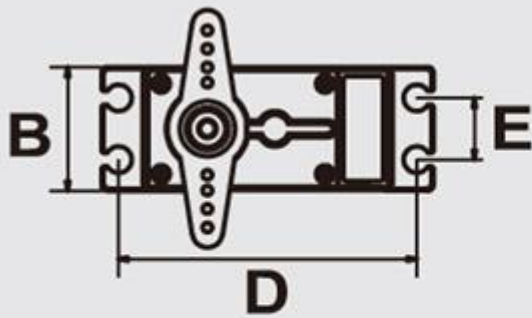
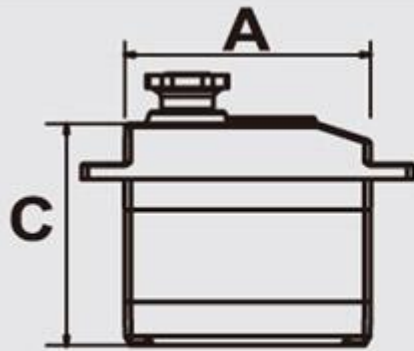
Packaging content : Servo×1 PCS、 Servo arm×1bag、 Manual×1 PCS

Packaging content : Packing with PE bag

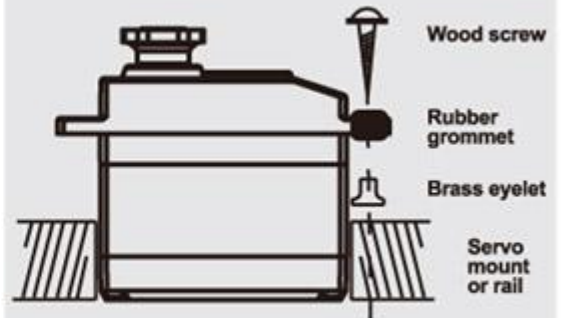
Packaging specifications : PE bag size: 90×85×0.07mm、 Netweight-35g、 Gross weight-52

Products specification								Technical parameters							
Size (mm)					Weight			Wire	4.8V			6V			Rotation angle
									Speed	Torque		Speed	Torque		
A	B	C	D	E	g	oz	cm	sec/60°	kg·cm	oz·in	sec/60°	kg·cm	oz·in		
35.5	15.3	30.6	40.2	7.1	33	1.17	20	0.1	4.3	59.82	0.08	5	69.56	About 60°	

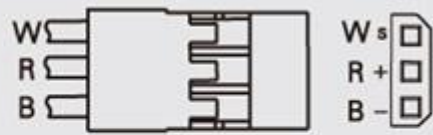
(Specifications are subjected to change without notice.)



*Overall Dimension*



*Diagram of installation*



BLACK(B) – NEGATIVE POLE  
 RED(R) – POSITIVE POLE  
 WHITE(W) – SIGNAL

*Diagram of Interface*