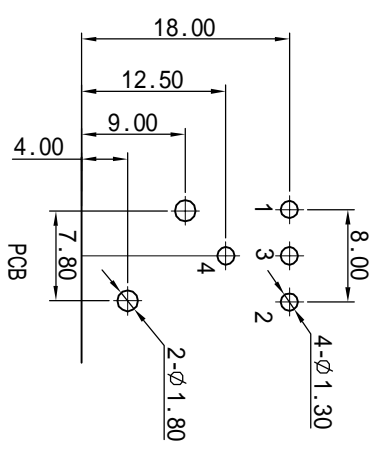
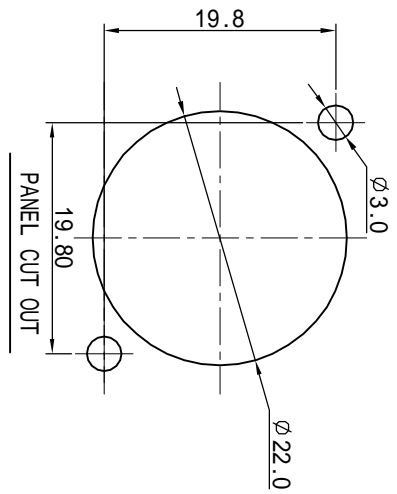
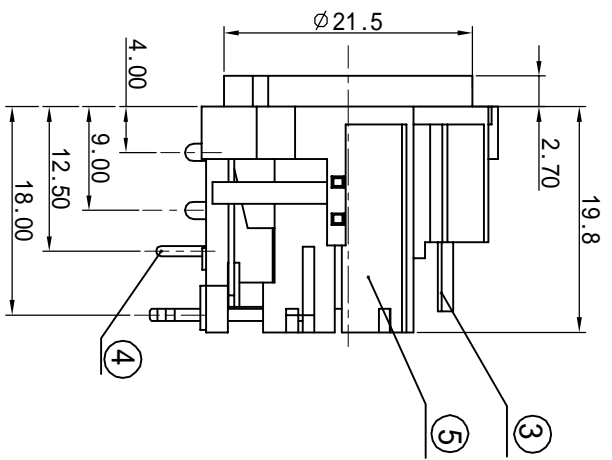
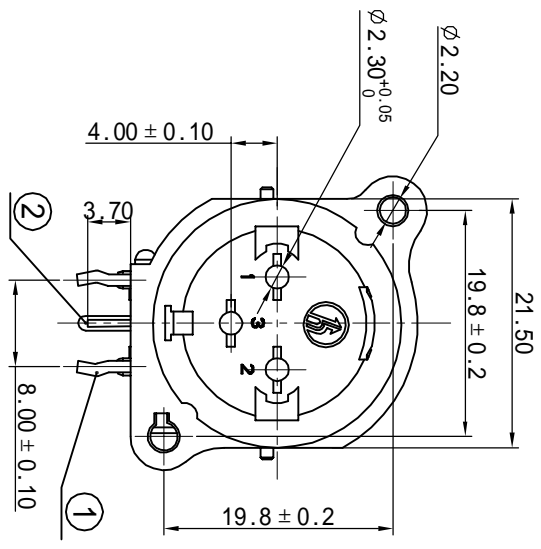
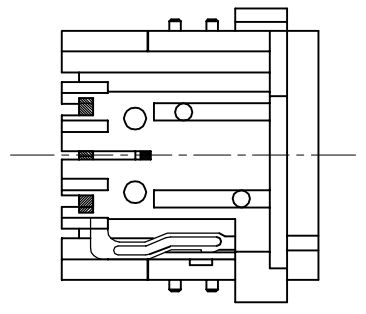


ALLOWANCE	
UNDER 3	± 0.1
3 TO 6	± 0.15
6 TO 15	± 0.2
15 TO 50	± 0.25
50 OVER	± 0.3

Specifications:
 Rating :DC 50V,3A.
 Force:5~40N.
 Contact resistance:
 Less than30m Ω.
 Insulation resistance:
 Over 100M Ω on DC 500V
 measured.
 Voltage withstand :
 AC 500V,For 1 minute.



5	HOUSE	PA66 (VIRGIN)	1	BLACK
4	TERMINAL-D	BRONZE t=0.3	1	AG PLATED
3	TERMINAL-C	BRASS t=0.4	1	AG PLATED
2	TERMINAL-B	BRASS	1	AU PLATED
1	TERMINAL-A	BRASS	2	AU PLATED
NO:	PART NAME	MATERIAL	QTY	FINISHING

MODEL NO :SPM-08C	ALLOWANCE:	DRAWN BY:
TYPE: SP SOCKET	UNIT: mm	CHECKED BY:
MATERIAL NO :	SCALE:	APPROVED BY:
PROJECTION		



ZHENGWEI INDUSTRY (HK) CO., LIMITED