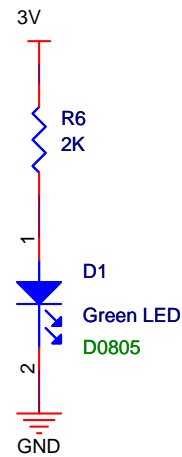
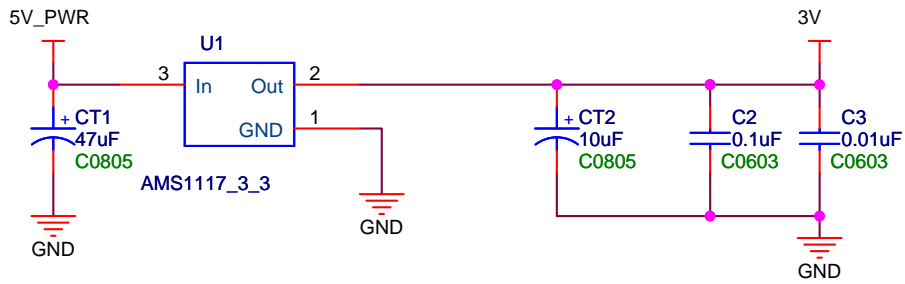
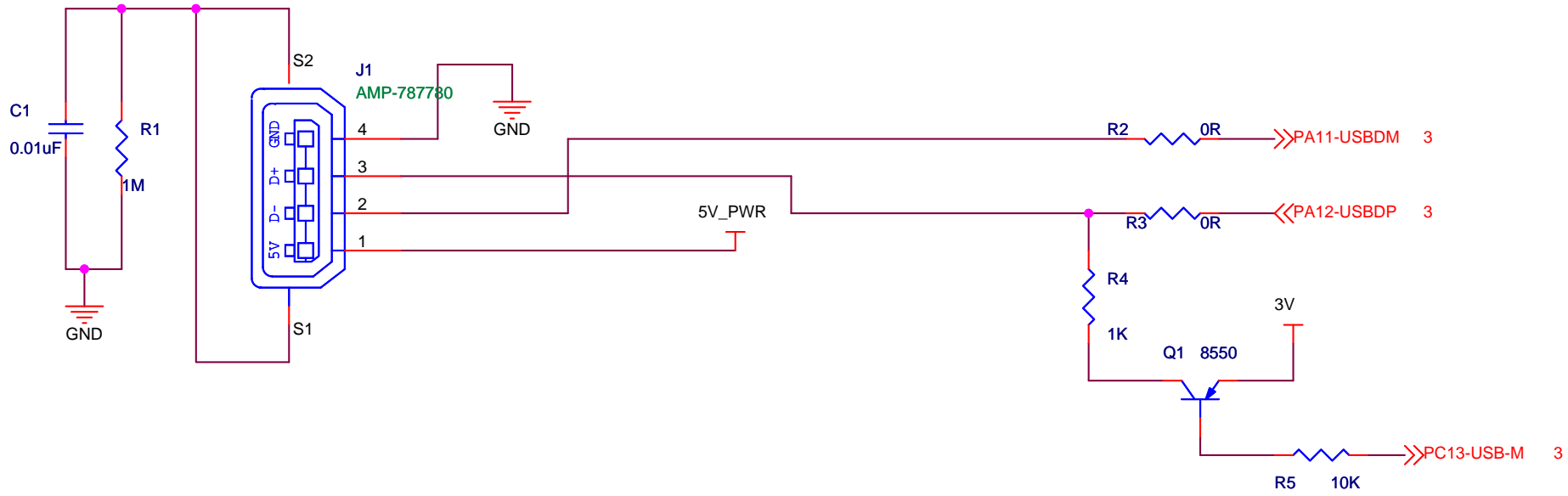
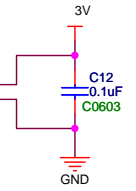
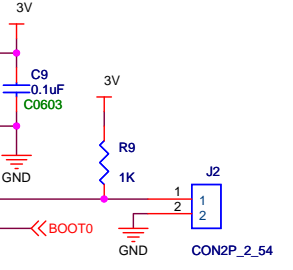
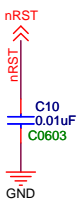
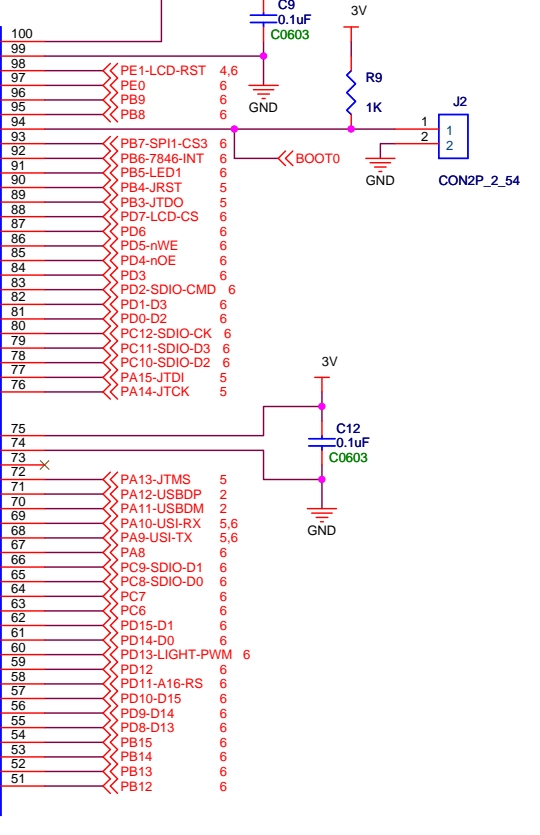
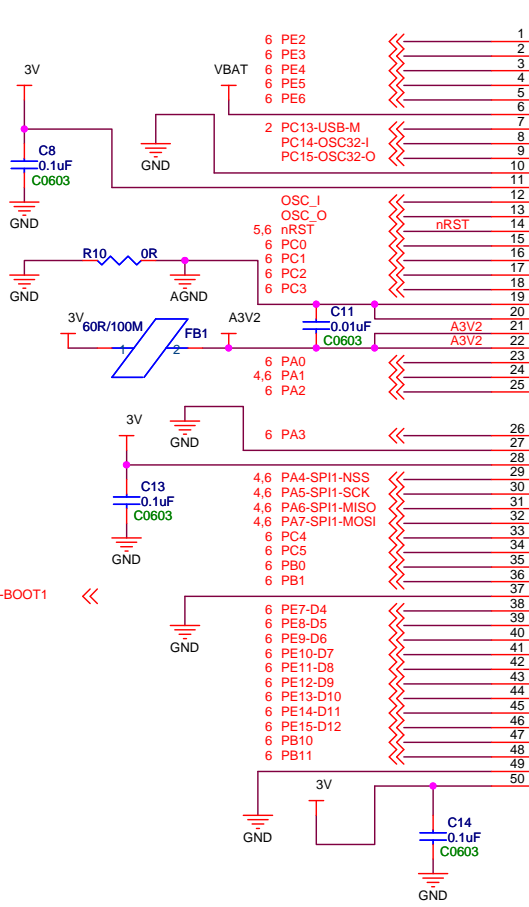
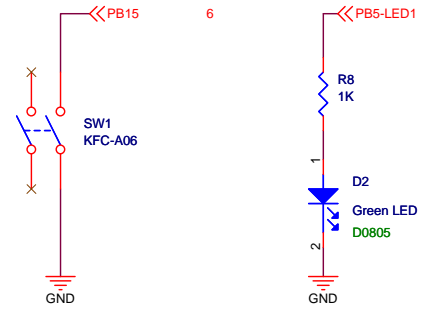
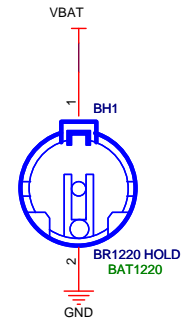
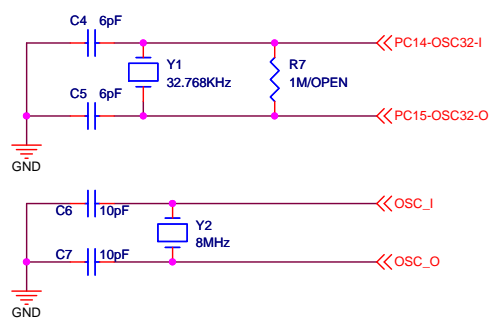


Title		
Block Diagram		
Size	Document Number	Rev
A	STM32-Lite-V1.0	Ver 1.0
Date:	Friday, June 03, 2011	Sheet 1 of 6

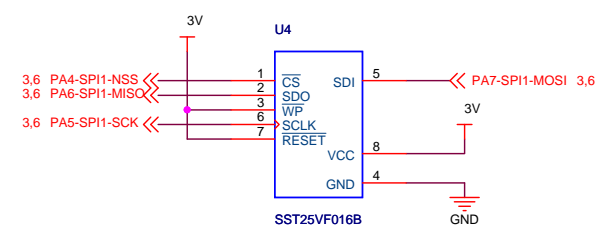
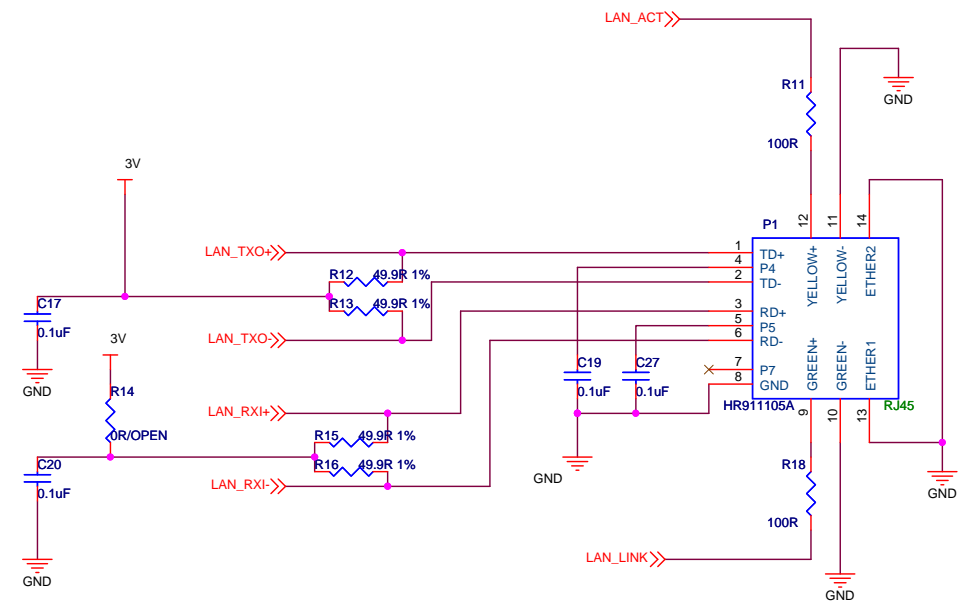
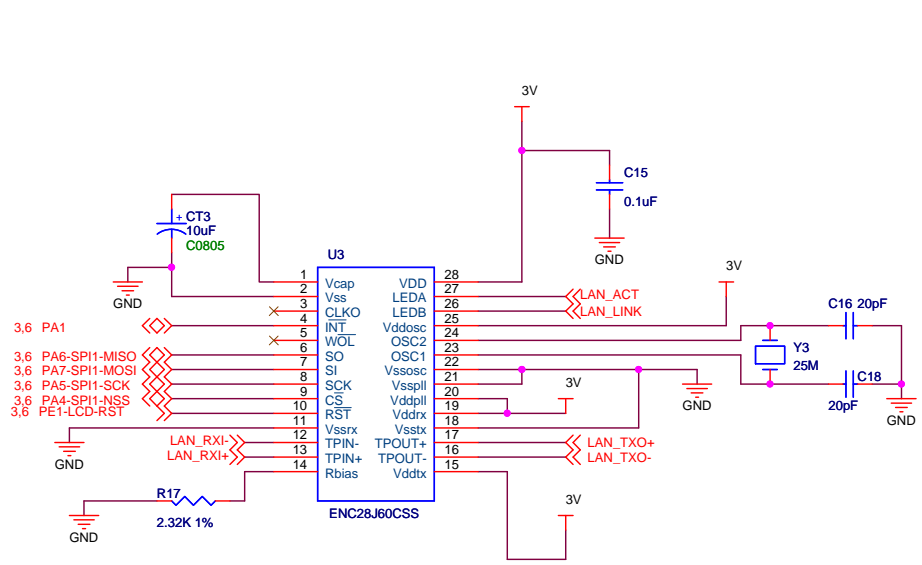


Title		
Power & USB		
Size	Document Number	Rev
A	STM32-Lite-V1.0	Ver 1.0
Date:	Friday, June 03, 2011	Sheet 2 of 6

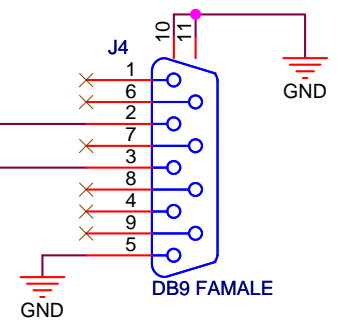
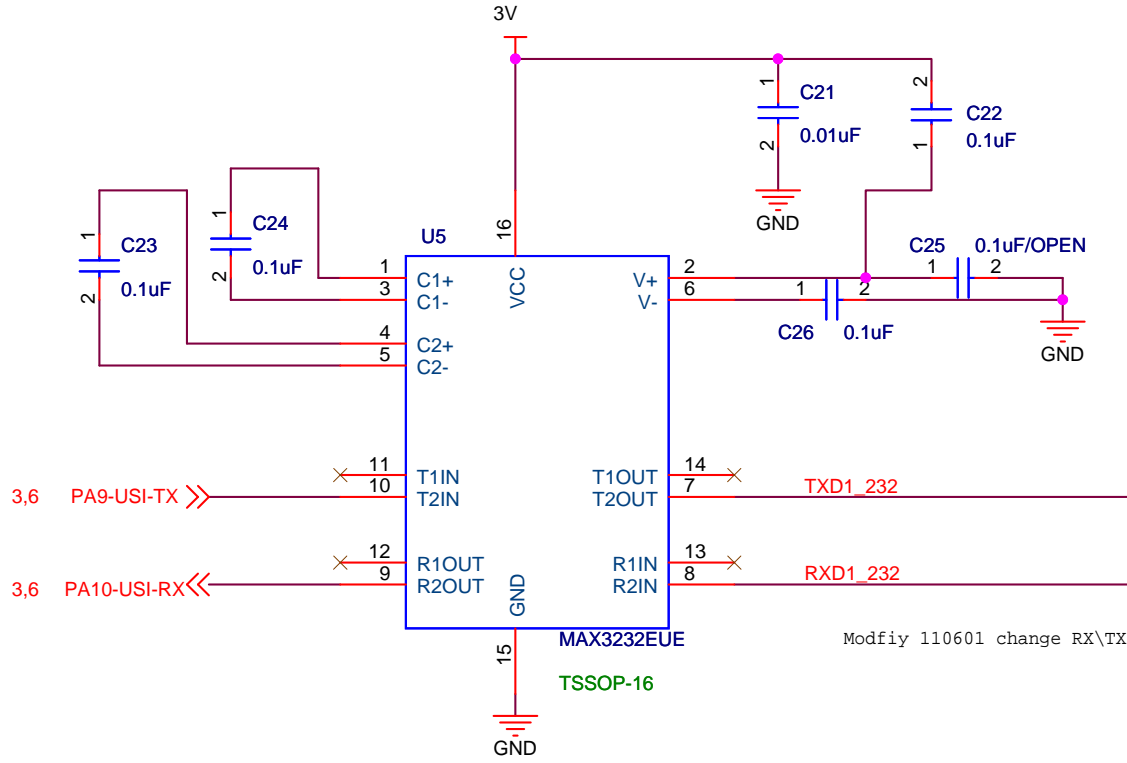
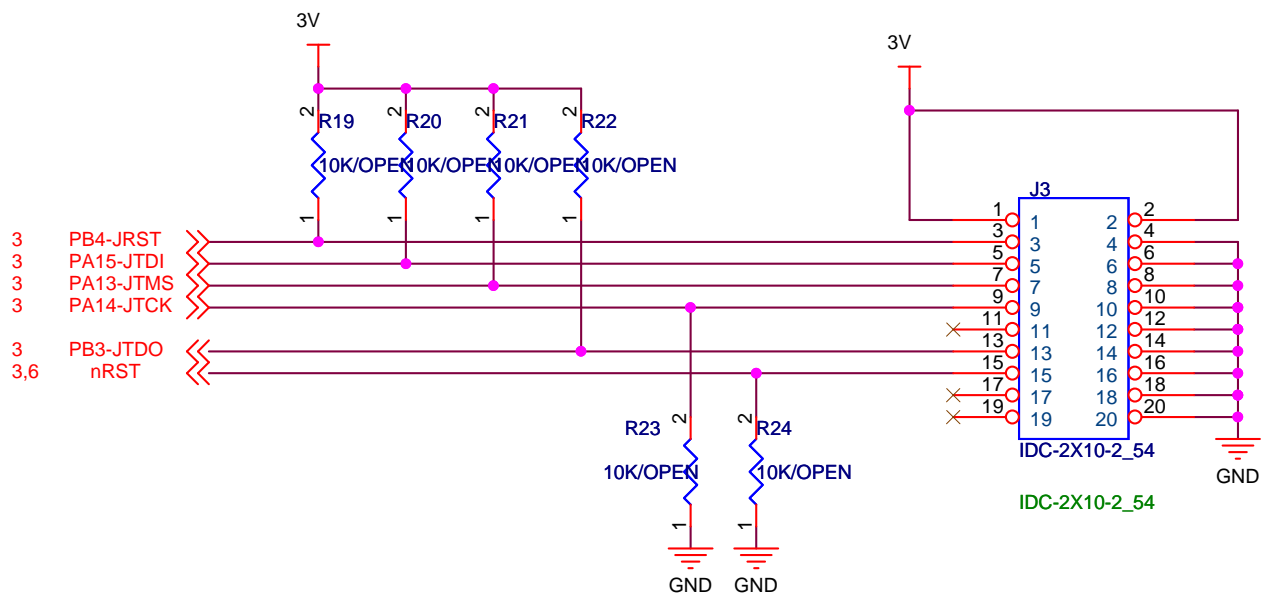


Title		
MCU-STM32F103VET		
Size	Document Number	Rev
B	STM32-Lite-V1.0	Ver 1.0
Date:	Wednesday, June 08, 2011	Sheet 3 of 6

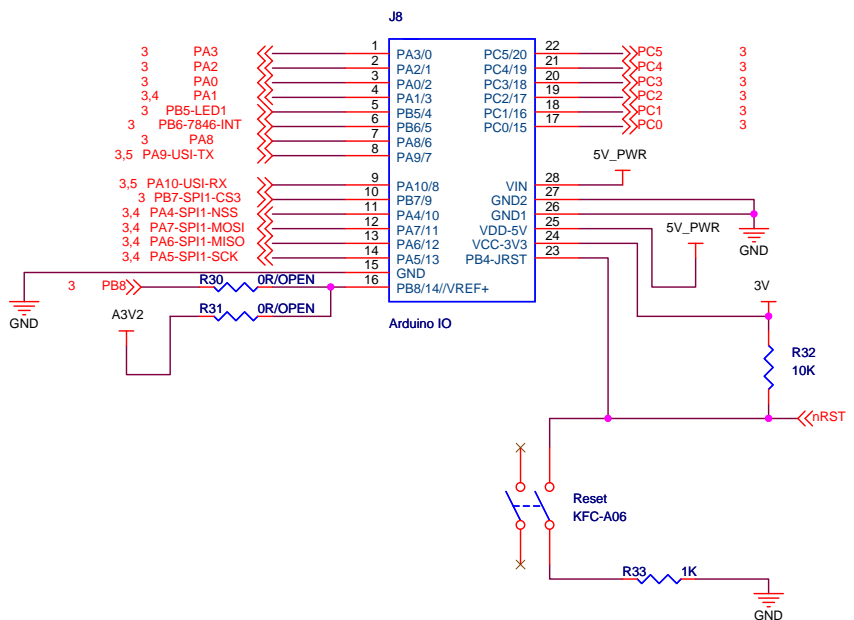
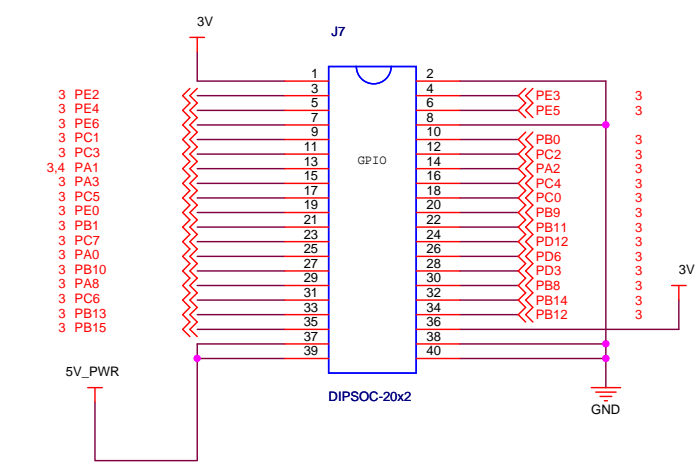
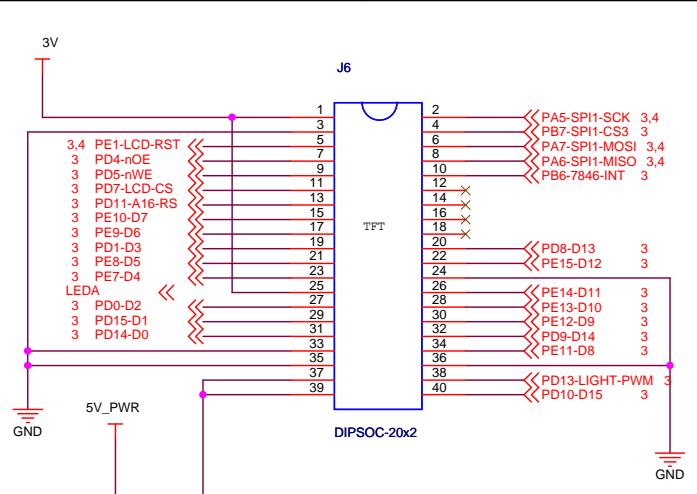
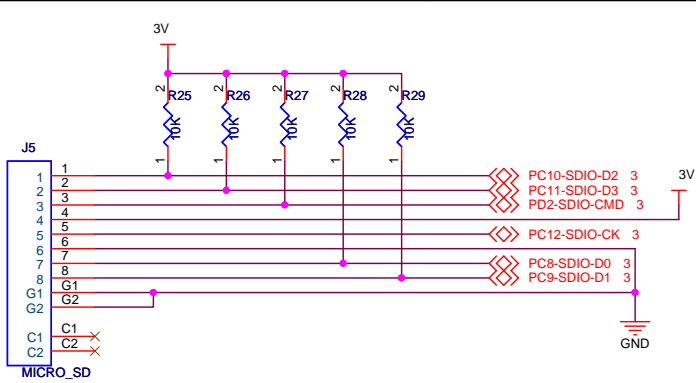
- 1 LAN_TXO+ Tranceive Data+ (发信号+)
- 2 LAN_TXO- Tranceive Data- (发信号-)
- 3 LAN_RXI+ Receive Data+ (收信号+)
- 4 LAN_RXI- Receive Data- (收信号-)
- 5 LAN_ACT 以太网接口数据收发指示灯
- 6 LAN_LINK 以太网接口连接指示灯



Title		
EtherNet & SPI FLASH		
Size	Document Number	Rev
B	STM32-Lite-V1.0	Ver 1.0
Date:	Friday, June 03, 2011	Sheet 4 of 6



Title		
JTAG & UART		
Size	Document Number	Rev
A	STM32-Lite-V1.0	Ver 1.0
Date:	Friday, June 03, 2011	Sheet 5 of 6



Title		
Micro SD & TFT & GPIO		
Size	Document Number	Rev
B	STM32-Lite-V1.0	Ver 1.0
Date:	Wednesday, June 08, 2011	Sheet 6 of 6