

STF202-22

USB Filter with ESD Protection

This device is designed for applications requiring **Line Termination**, **EMI Filtering** and **ESD Protection**. It is intended for use in upstream USB ports, Cellular phones, Wireless equipment and computer applications. This device offers an integrated solution in a small package (TSOP-6, Case 318G) reducing PCB space and cost.

Features:

- Provides USB Line Termination, Filtering and ESD Protection
- Single IC Offers Cost Savings by Replacing 3 Resistors, 2 Capacitors, and 5 TVs diodes
- Bi-directional EMI Filtering Prevents Noise from Entering/Leaving the System
- IEC61000-4-2 ESD Protection for USB Port
- Flexible Pull-down or Pull-up Line Termination to Meet USB 1.1 Low Speed and High Speed Specification
- ESD Ratings: Machine Model = C
Human Body Model = 3B
- Pb-Free Package is Available

Benefits:

- TSOP-6 Package Minimizes PCB Space
- Integrated Circuit Increases System Reliability versus Discrete Component Implementation
- TVs Devices Provide ESD Protection That is Better than a Discrete Implementation because the Small IC minimizes Parasitic Inductances

Typical Applications:

- USB Hubs
- Computer Peripherals Using USB

MAXIMUM RATINGS ($T_A = 25^\circ\text{C}$)

Rating	Symbol	Value	Unit
Steady State Power	P_D	225	mW
Maximum Junction Temperature	$T_{J(max)}$	125	$^\circ\text{C}$
Operating Temperature Range	T_J	-55 to +125	$^\circ\text{C}$
Storage Temperature Range	T_{stg}	-55 to +125	$^\circ\text{C}$
Lead Solder Temperature (10 second duration)	T_L	260	$^\circ\text{C}$

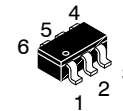
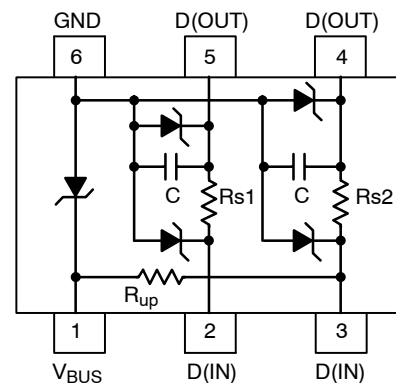
Stresses exceeding Maximum Ratings may damage the device. Maximum Ratings are stress ratings only. Functional operation above the Recommended Operating Conditions is not implied. Extended exposure to stresses above the Recommended Operating Conditions may affect device reliability.



ON Semiconductor®

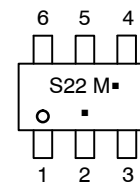
<http://onsemi.com>

CIRCUIT DESCRIPTION



**TSOP-6
CASE 318G
STYLE 8**

MARKING DIAGRAM



S22 = Specific Device Code
M = Date Code
▪ = Pb-Free Package

(Note: Microdot may be in either location)

ORDERING INFORMATION

Device	Package	Shipping†
STF202-22T1	TSOP-6	3000/Tape & Reel
STF202-22T1G	TSOP-6 (Pb-Free)	3000/Tape & Reel

†For information on tape and reel specifications, including part orientation and tape sizes, please refer to our Tape and Reel Packaging Specification Brochure, BRD8011/D.

STF202-22

ELECTRICAL CHARACTERISTICS ($T_A = 25^\circ\text{C}$)

Device	Device Marking	V_{RWM} (Volts)	V_{BR} @ 1 mA (Volts)		Max I_R @ $V_{RWM} = 5.25\text{ V}$ V_{BUS} to GND (μA)	Max I_R @ $V_{RWM} = 3.3\text{ V}$ I/O Pin (μA)	Typical Line Capacitance (pF) (Notes 2, 3)	Series Resistor R_S (Ω) (Note 1)			Pull-up Resistor R_{up} (k Ω)		
			Min	Max				Min	Nom	Max	Min	Nom	Max
STF202-22T1	S22	5.25	6.0	8.0	5.0	1.0	68	20	22	24	1.35	1.5	1.65

- For other R_S values (i.e. $R_S = 30\ \Omega$) contact your local ON Semiconductor sales representative.
- Measured at 25°C , $V_R = 0\text{ V}$, $f = 1\text{ MHz}$, Pins 2, 3, 4 or 5 to GND with Pin 1 also grounded.
- For other capacitance values contact your local ON Semiconductor sales representative.

TYPICAL CHARACTERISTICS

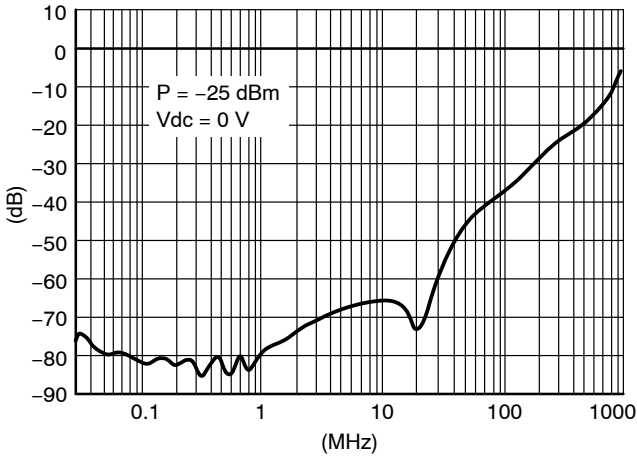


Figure 1. Analog Cross-talk (D+ to D-)

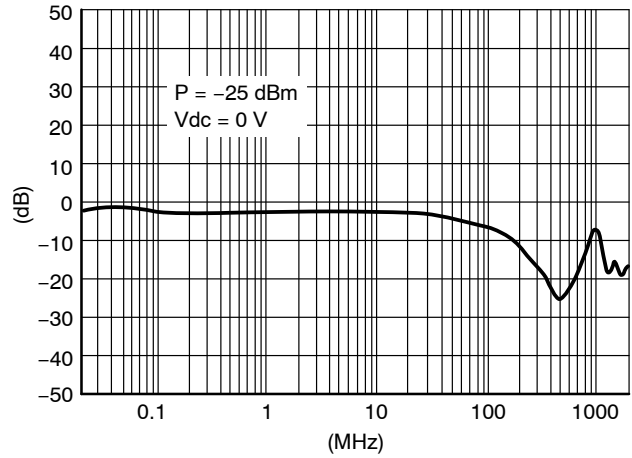


Figure 2. Insertion Loss Characteristics

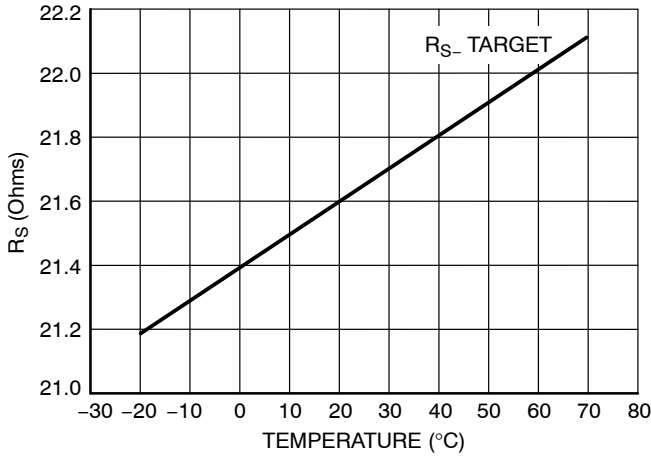


Figure 3. R_S versus Temperature

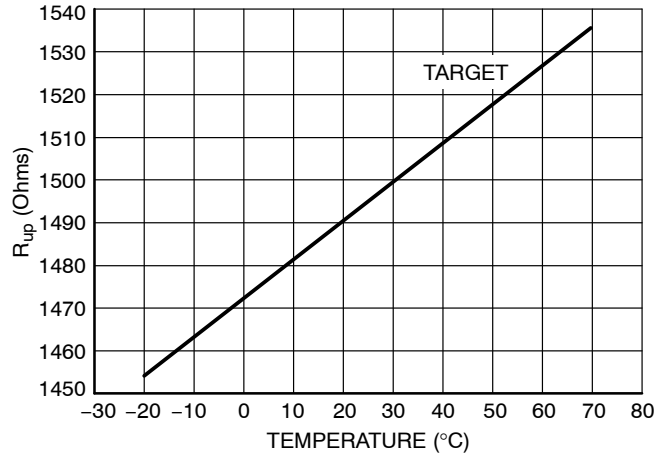


Figure 4. R_{up} versus Temperature

APPLICATIONS BACKGROUND

What Is USB?

The USB is not a serial port, it is a serial bus, a fact that enables a single port on the computer to be a link for a myriad of devices, (up to 127 devices in a USB system). We can easily chain one device to another and use one port as a connecting point of many devices by using a hub. All these enables us to look at the USB system as a small network of devices.

The Universal Serial Bus (USB) makes connecting devices to your computer faster, easier and virtually limitless. High-Speed USB devices are capable of communicating at speeds up to 12 megabits without shutting down and without having to open your computer.

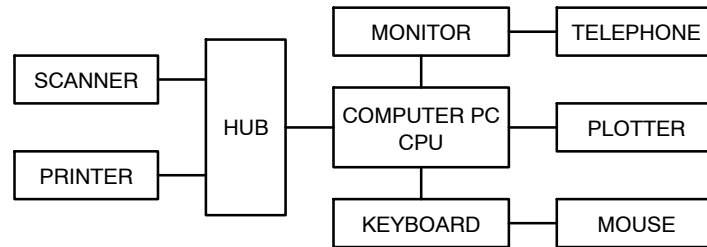


Figure 5. Typical USB System

Typically the USB system consists of one host, hubs and devices.

The Host in the USB system, is responsible to the whole complexity of the protocol (simplifies the designing of USB devices). The host controls the media access, therefore, no one can access the bus unless it got an approval required from the host.

The Hub provides an interconnect point, which enables many devices to connect to a single USB port. The logical topology of the USB is a star structure, all the devices are connected (logically) directly to the host. It is totally transparent to the device what is its hub tier (the number of hubs the data has to flow through). The hub is connected to the USB host in the upstream direction (data flows “up” to the host) and is connected to the USB device in the downstream direction (data flows “down” from the host to the device). The hub’s main functionality is the responsibility of detecting an attachment and detachment of devices, handling the power management for devices that are bus-powered (get power from the bus), and responsibility for bus error detection and recovery. Another important role of the hub is to manage both full and low speed devices. When a device is attached to the system the hub detects the speed, which the device operates in, and through the whole communication on the bus prevents from full speed traffic to reach low speed device and vice versa – prevent from low speed traffic to reach full speed device.

The Device is defined as everything in the USB system, which is not a host (including hubs). A device provides one

or more USB functions. Most of the devices provide only one function but there may be some, which provides more than one and called compound devices. We refer to two kinds of devices – self powered or bus powered devices. A device that gets its power from the bus is called bus powered and on the other hand a device which supplies its own power is called self powered. There are two kinds of devices:

Full-speed devices – operates in 12 Mb/s

Low-speed devices that work in 1.5 Mb/s

STF202 Device Information

The Universal Serial Bus (USB) specification revision 1.1 requires EMI Filtering and line termination for the USB I/O lines. **The STF202** device from ON Semiconductor provides upstream termination, EMI Filtering and ESD Protection to IEC6100-4-2 (Level 4) in an integrated solution placed in a small and single package (TSOP-6, Case 318G). The equivalent circuit of this device is shown in the Figure 6.

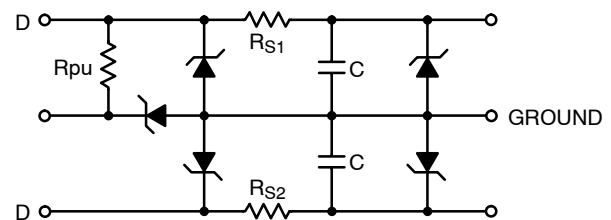


Figure 6.

As previously mentioned, there are two types of configurations for the USB port which are upstream and downstream. If your port connects to the host either in a direct way or through a hub, you are upstream (data flows “up” to the host) and in the other hand, if you are the host or your port provides access to the host then you are downstream (data flows “down” from the host to the device). In the case of the **STF202** device, it provides upstream termination. The Figure 7 represents the termination for an upstream USB port.

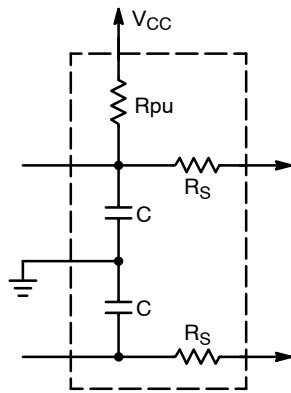


Figure 7.

The USB Line termination is reached through the series resistors placed in the D+ and D- lines. These resistors insure the proper termination to maintain the integrity of the signal. The Pull up Resistor of 1.5 kΩ on either the D+ or D- data lines is used to identify the equipment as either full-speed or low-speed device.

Connection for Full-Speed and Low-Speed Devices

As mentioned before, there are two kinds of port devices:

Full-Speed devices – operates in 12 Mb/s

Low-Speed devices that work in 1.5 Mb/s

The STF202 device can be shaped to be used for either Full-Speed or Low-Speed devices which is achieved as described below:

Full-Speed Devices

The Pull up resistor (Rpu) is connected to the D+ Line. The terminal 1 is connected to the Voltage Supply Line (V_{BUS}) while the terminal 6 is connected to ground. The input of the D+ line is connected in the terminal 3 which outputs from the terminal 4. Finally, the input of the D- line is connected in the terminal 2 which outputs from the terminal 5. The Figure 8 shows the connections of the STF202 device for “Full-Speed devices”.

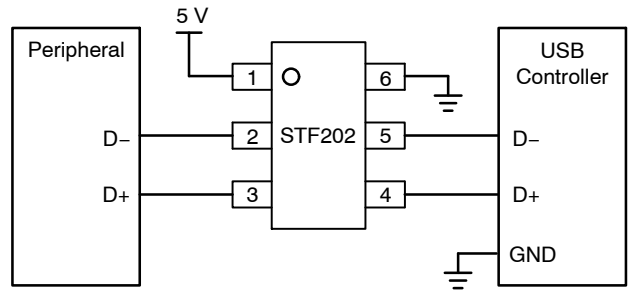


Figure 8.

Low-Speed Devices

The Pull up resistor (Rpu) is connected to the D- Line. The terminal 1 is connected to the Voltage Supply Line (V_{BUS}) while the terminal 6 is connected to ground. The input of the D- line is connected in the terminal 3 which outputs from the terminal 4. Finally, the input of the D+ line is connected in the terminal 2 which outputs from the terminal 5. The Figure 9 shows the connections of the STF202 device for “Low-Speed devices”.

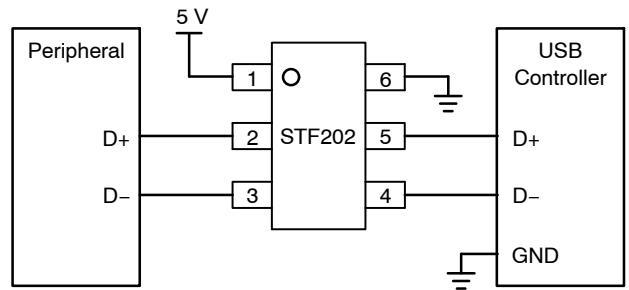


Figure 9.

STF202-22

The Figure 10 describes in a simplified way what the USB port components are. As shown in this diagram, there are signals for upstream and downstream ports which must be provided with Line Termination and EMI Filtering to meet the requirements of the USB specification revision 1.1. In

addition to the Line termination and EMI Filtering, it is also needed to protect the USB I/O Lines against ESD conditions, so TVS devices must be added for these purposes.

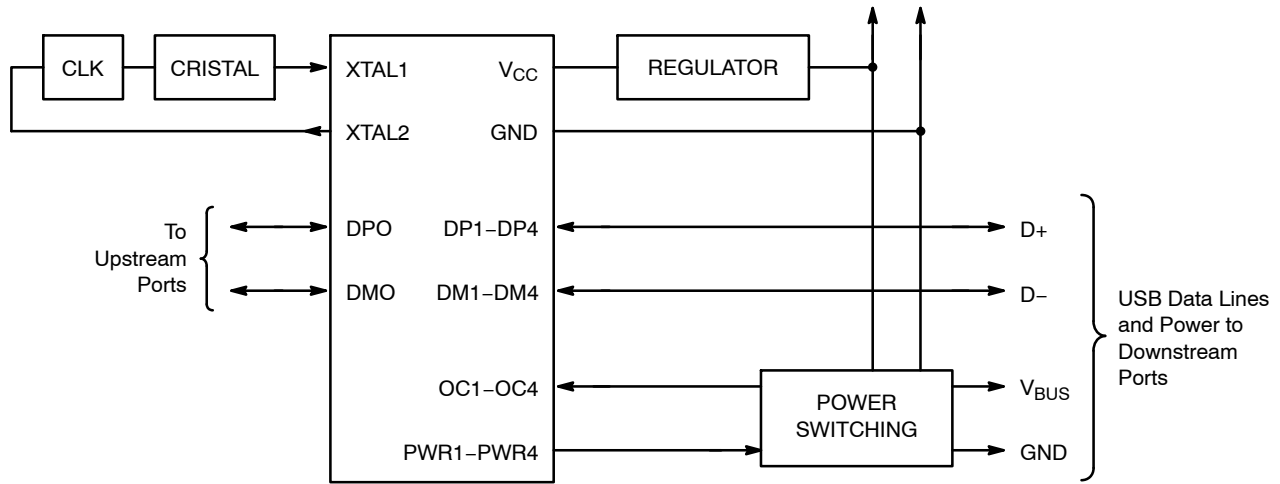


Figure 10.

As mentioned before, the **ON Semiconductor STF202 device** provides “upstream termination”, EMI Filtering and ESD Protection to IEC6100-4-2 in an integrated solution

placed in a small and single package (TSOP-6, Case 318G). The typical application for the STF202 device is shown in the Figure 11.

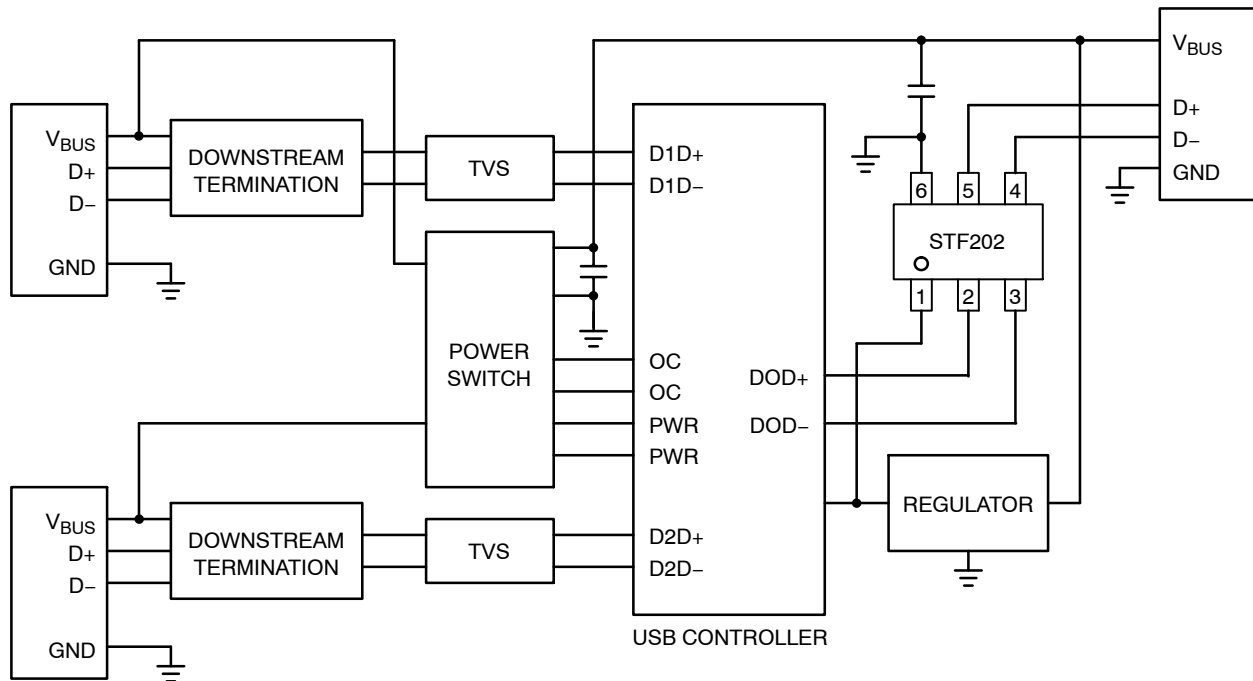
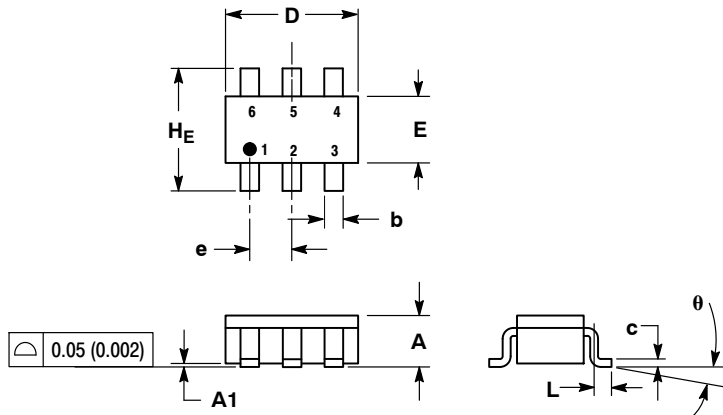


Figure 11.

STF202-22

PACKAGE DIMENSIONS

TSOP-6 CASE 318G-02 ISSUE T



NOTES:

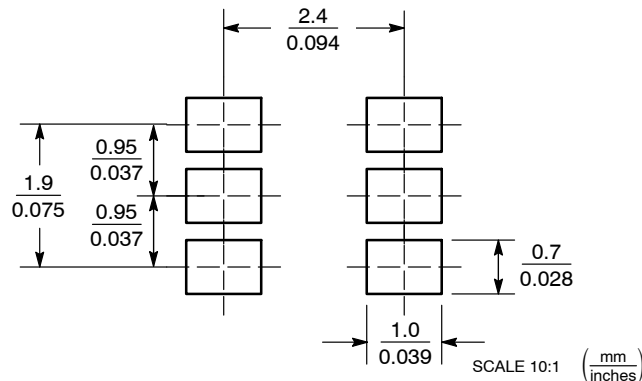
1. DIMENSIONING AND TOLERANCING PER ANSI Y14.5M, 1982.
2. CONTROLLING DIMENSION: MILLIMETER.
3. MAXIMUM LEAD THICKNESS INCLUDES LEAD FINISH THICKNESS. MINIMUM LEAD THICKNESS IS THE MINIMUM THICKNESS OF BASE MATERIAL.
4. DIMENSIONS A AND B DO NOT INCLUDE MOLD FLASH, PROTRUSIONS, OR GATE BURRS.

DIM	MILLIMETERS			INCHES		
	MIN	NOM	MAX	MIN	NOM	MAX
A	0.90	1.00	1.10	0.035	0.039	0.043
A1	0.01	0.06	0.10	0.001	0.002	0.004
b	0.25	0.38	0.50	0.010	0.014	0.020
c	0.10	0.18	0.26	0.004	0.007	0.010
D	2.90	3.00	3.10	0.114	0.118	0.122
E	1.30	1.50	1.70	0.051	0.059	0.067
e	0.85	0.95	1.05	0.034	0.037	0.041
L	0.20	0.40	0.60	0.008	0.016	0.024
HE	2.50	2.75	3.00	0.099	0.108	0.118
theta	0°	-	10°	0°	-	10°

STYLE 8:

- PIN 1. Vbus
- D(in)-
- D(in)+
- D(out)+
- D(out)-
- GND

SOLDERING FOOTPRINT*



*For additional information on our Pb-Free strategy and soldering details, please download the ON Semiconductor Soldering and Mounting Techniques Reference Manual, SOLDERRM/D.

ON Semiconductor and are registered trademarks of Semiconductor Components Industries, LLC (SCILLC). SCILLC reserves the right to make changes without further notice to any products herein. SCILLC makes no warranty, representation or guarantee regarding the suitability of its products for any particular purpose, nor does SCILLC assume any liability arising out of the application or use of any product or circuit, and specifically disclaims any and all liability, including without limitation special, consequential or incidental damages. "Typical" parameters which may be provided in SCILLC data sheets and/or specifications can and do vary in different applications and actual performance may vary over time. All operating parameters, including "Typicals" must be validated for each customer application by customer's technical experts. SCILLC does not convey any license under its patent rights nor the rights of others. SCILLC products are not designed, intended, or authorized for use as components in systems intended for surgical implant into the body, or other applications intended to support or sustain life, or for any other application in which the failure of the SCILLC product could create a situation where personal injury or death may occur. Should Buyer purchase or use SCILLC products for any such unintended or unauthorized application, Buyer shall indemnify and hold SCILLC and its officers, employees, subsidiaries, affiliates, and distributors harmless against all claims, costs, damages, and expenses, and reasonable attorney fees arising out of, directly or indirectly, any claim of personal injury or death associated with such unintended or unauthorized use, even if such claim alleges that SCILLC was negligent regarding the design or manufacture of the part. SCILLC is an Equal Opportunity/Affirmative Action Employer. This literature is subject to all applicable copyright laws and is not for resale in any manner.

PUBLICATION ORDERING INFORMATION

LITERATURE FULFILLMENT:
Literature Distribution Center for ON Semiconductor
P.O. Box 5163, Denver, Colorado 80217 USA
Phone: 303-675-2175 or 800-344-3860 Toll Free USA/Canada
Fax: 303-675-2176 or 800-344-3867 Toll Free USA/Canada
Email: orderlit@onsemi.com

N. American Technical Support: 800-282-9855 Toll Free
USA/Canada
Europe, Middle East and Africa Technical Support:
Phone: 421 33 790 2910
Japan Customer Focus Center
Phone: 81-3-5773-3850

ON Semiconductor Website: www.onsemi.com
Order Literature: <http://www.onsemi.com/orderlit>
For additional information, please contact your local Sales Representative