

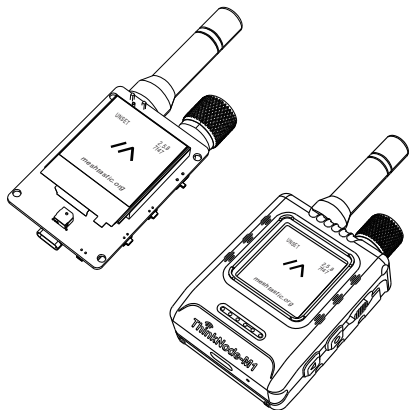
Precautions

- Avoid placing the product in damp or high-temperature areas.
- Do not disassemble, impact, crush, or throw the product into fire; do not use after submersion in water.
- If the product shows physical damage or severe swelling, do not continue to use it.
- Do not use an unsuitable power supply to power the device.

Main Specifications

Product Name	ThinkNode M1
Dimensions	82*51.6*26.3mm (Without antenna)
Weight	81g (With enclosure)
Screen	1.54" EPD
Type-C port	5V/1A
Battery Capacity	1200mAh

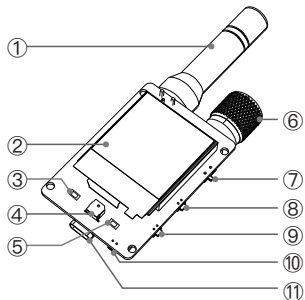
ThinkNode M1



LoRaWAN Series Transceiver Device
Powered By nRF52840

User Manual

Device Parts



- | | |
|------------------------|------------------------|
| 1. LoRa Antenna | 7. GPS Switch |
| 2. 1.54" EPD | 8. Function Button |
| 3. Product Status LED | 9. Page Turn Button |
| 4. Buzzer | 10. Reset Button |
| 5. GPS/LoRa Status LED | 11. Type-C Port: 5V/1A |
| 6. Rotary Switch | |

Quick Guide

- **Rotary Switch:** Turn the power switch clockwise to turn on the device and adjust the backlight LED brightness level; turn it counterclockwise to turn off the power.
- **GPS Switch:** toggle to enable or disable GPS positioning function.
- **Function Button:**
 - Single Click:** Send a temporary ping to the network to report the device's location.
 - Double Click:** Turn the LED backlight on/off.
 - Triple Click:** Trigger an SOS alarm signal (three short, three long, three short), activate the buzzer, and make the indicator light blink.
 - Long Press:** Enter standby power-saving mode; (can be awakened by clicking any function key or pressing the switch key).
- **Page Turn Button:** Switch screen display pages by single click.
- **Reset button:**
 - Click to restart/reboot the device.
 - Connect the Type-C cable and double-click the reset button to enter programming mode.

- **Product Status LED:**
 - After the device is turned on normally, the red light stays on steadily.
 - The red light flashes rapidly to indicate charging status, and remains steady when fully charged
 - When the battery level is low, the red light will flash slowly.
- **GPS/LoRa Status LED:** GPS/LoRa working/data transmission status indication, blinking blue.