

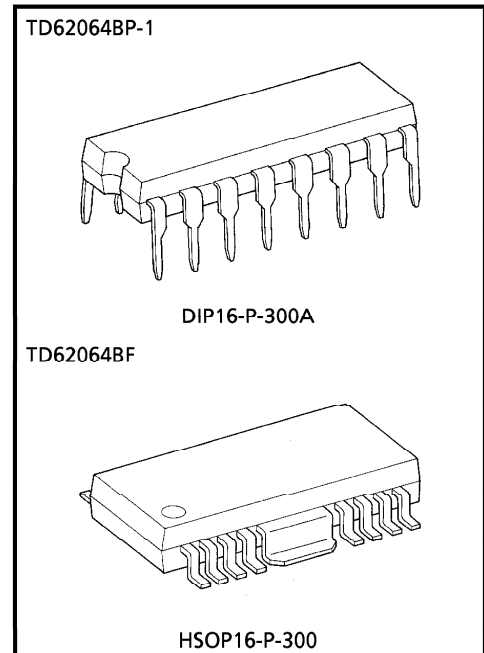
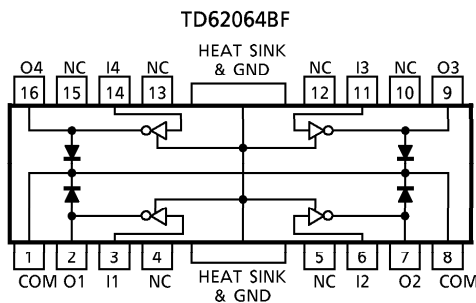
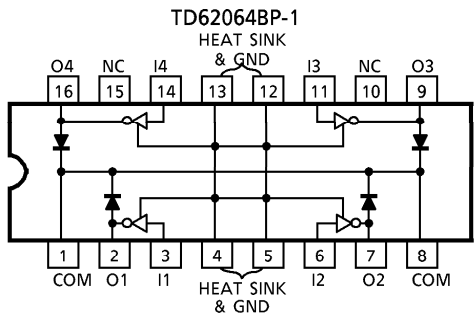
4ch HIGH-CURRENT DARLINGTON SINK DRIVER

The TD62064BP-1 and TD62064BF are high-voltage, high-current darlington drivers comprised of four NPN darlington pairs.
All units feature integral clamp diodes for switching inductive loads.
Applications include relay, hammer, lamp and stepping motor drivers.

FEATURES

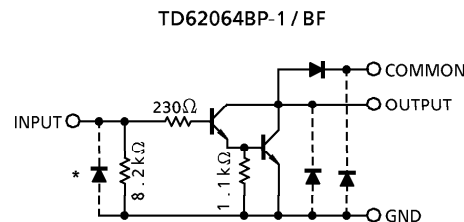
- Package Type BP-1 : DIP16 pin
BF : PFP16 pin
- High Output Sustaining Voltage : $V_{CE(SUS)} = 80V$ (Min.)
- Output Current (Single Output) : $I_{OUT} = 1.5A / ch$ (Max.)
- Output Clamp Diodes
- Input Compatible with TTL and 5V CMOS
- GND and SUB Terminal = Heat Sink

PIN CONNECTION (TOP VIEW)



Weight DIP16-P-300A : 1.11g (Typ.)
HSOP16-P-300 : 0.50g (Typ.)

SCHEMATICS (EACH DRIVER)



* : Parasitic

The input and output parasitic diodes cannot be used as clamp diodes.

© The information contained herein is presented only as a guide for the applications of our products. No responsibility is assumed by TOSHIBA CORPORATION for any infringements of intellectual property or other rights of the third parties which may result from its use. No license is granted by implication or otherwise under any intellectual property or other rights of TOSHIBA CORPORATION or others.
© These TOSHIBA products are intended for use in general commercial applications (office equipment, communication equipment, measuring equipment, domestic appliances, etc.). please make sure that you consult with us before you use these TOSHIBA products in equipment which requires extraordinarily high quality and/or reliability, and in equipment which may involve life threatening or critical application, including but not limited to such uses as atomic energy control, airplane or spaceship instrumentation, traffic signals, medical instrumentation, combustion control, all types of safety devices, etc. TOSHIBA cannot accept and hereby disclaims liability for any damage which may occur in case the TOSHIBA products are used in such equipment or applications without prior consultation with TOSHIBA.

MAXIMUM RATINGS (Ta = 25°C)

CHARACTERISTIC	SYMBOL	RATING	UNIT
Output Sustaining Voltage	V _{CE(SUS)}	-0.5 ~ 80	V
Parasitic Transistor Output Voltage	V _{CEF} *1	80	V
Output Current	I _{OUT}	1.5	A / ch
Input Current	I _{IN}	50	mA
Input Voltage	V _{IN}	7	V
Clamp Diode Reverse Voltage	V _R	80	V
Clamp Diode Forward Current	I _F	1.5	A
Power Dissipation	BP-1	1.47 / 2.7 *2	W
	BF	0.9 / 1.4 *3	
Operating Temperature	T _{opr}	-40 ~ 85	°C
Storage Temperature	T _{stg}	-55 ~ 150	°C

- *1 Parasitic Transistor (COMMON - GND - OUTPUT) Output Voltage
- *2 On Glass Epoxy PCB (50×50×1.6mm Cu 50%)
- *3 On Glass Epoxy PCB (60×30×1.6mm Cu 30%)

RECOMMENDED OPERATING CONDITIONS (Ta = -40~85°C)

CHARACTERISTIC	SYMBOL	CONDITION	MIN.	TYP.	MAX.	UNIT	
Output Sustaining Voltage	V _{CE(SUS)}		0	—	80	V	
Output Current	I _{OUT}	DC 1 Circuit, Ta = 25°C	0	—	1250	mA / ch	
		T _{pw} = 25ms 4 Circuits	Duty = 10%	0	—		1250
			Duty = 50%	0	—		380
		T _j = 120°C Ta = 85°C	Duty = 10%	0	—		900
			Duty = 50%	0	—		170
Input Voltage	V _{IN}		0	—	8	V	
	(Output On) V _{IN(ON)}	I _{OUT} = 1.25A	2.5	—	8	V	
	(Output Off) V _{IN(OFF)}		0	—	0.4	V	
Input Current	I _{IN}		0	—	20	mA	
Clamp Diode Reverse Voltage	V _R		0	—	80	V	
Clamp Diode Forward Current	I _F		—	—	1.25	A	
Power Dissipation	BP-1	Ta = 85°C *1	—	—	1.4	W	
	BF	Ta = 85°C *2	—	—	0.7		

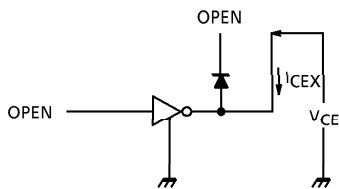
- *1 On Glass Epoxy PCB (50×50×1.6mm Cu 50%)
- *2 On Glass Epoxy PCB (60×30×1.6mm Cu 30%)

ELECTRICAL CHARACTERISTICS (Ta = 25°C unless otherwise noted)

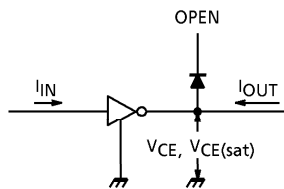
CHARACTERISTIC	SYMBOL	TEST CIR-CUIT	TEST CONDITION	MIN.	TYP.	MAX.	UNIT
Output Leakage Current	I _{CEX}	1	V _{CE} = 80V, Ta = 25°C	—	—	50	μA
			V _{CE} = 80V, Ta = 85°C	—	—	100	
Output Saturation Voltage	V _{CE(sat)}	2	I _{OUT} = 1.25A, V _{IN} = 2.4V	—	—	1.6	V
			I _{OUT} = 0.75A, V _{IN} = 2.4V	—	—	1.25	
DC Current Transfer Ratio	h _{FE}	2	V _{CE} = 2V, I _{OUT} = 1.25A	—	1500	—	
Input Voltage (Output On)	V _{IN(ON)}	3	I _{OUT} = 1.25A, I _{IN} = 2mA	—	—	2.4	V
Clamp Diode Leakage Current	I _R	4	V _R = 80V, Ta = 25°C	—	—	50	μA
			V _R = 80V, Ta = 85°C	—	—	100	
Clamp Diode Forward Voltage	V _F	5	I _F = 1.25A	—	1.5	2.0	V
Input Capacitance	C _{IN}	6	V _{IN} = 0, f = 1MHz	—	15	—	pF
Turn-On Delay	t _{ON}	7	V _{OUT} = 80V, R _L = 68Ω	—	0.1	—	μs
Turn-Off Delay	t _{OFF}			—	1.0	—	
Parasitic Transistor Output Voltage	V _{CEF}	8	I _{CEF} = 150mA	80	—	—	V

TEST CIRCUIT

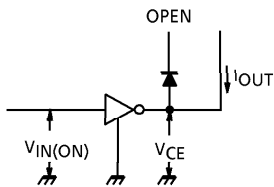
1. I_{CEX}



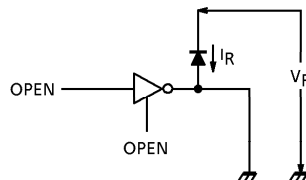
2. V_{CE(sat)}, h_{FE}



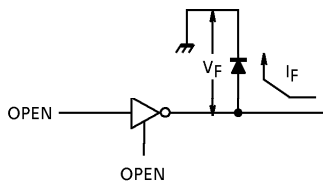
3. V_{IN(ON)}



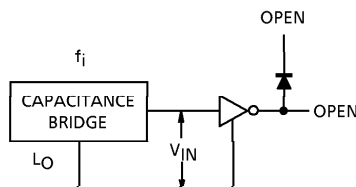
4. I_R



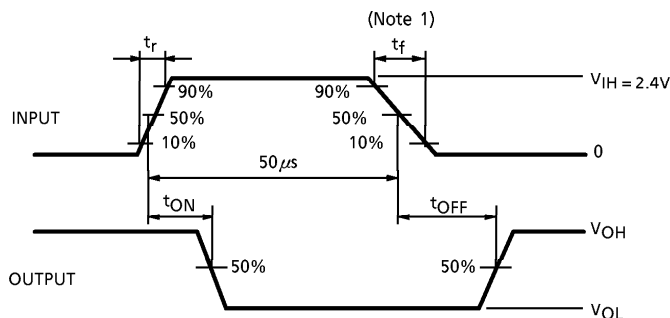
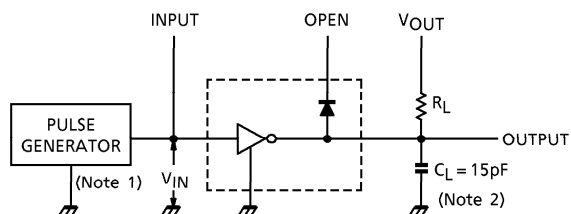
5. V_F



6. C_{IN}



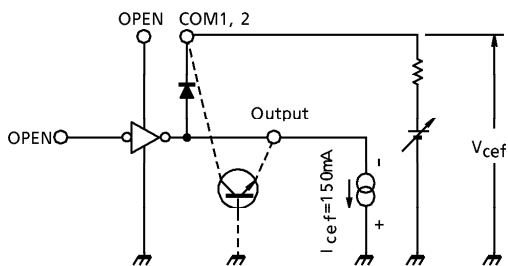
7. t_{ON} , t_{OFF}



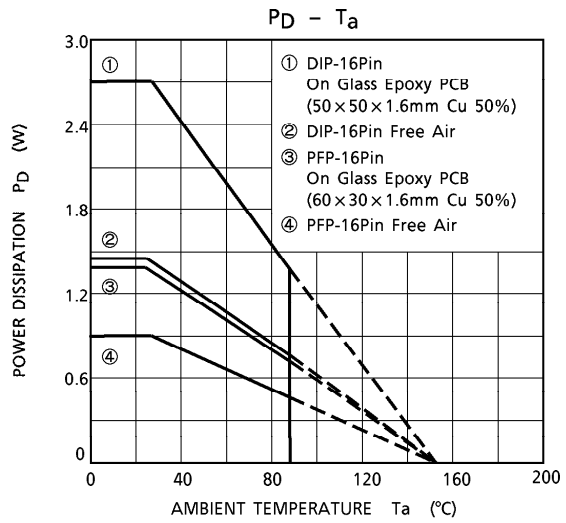
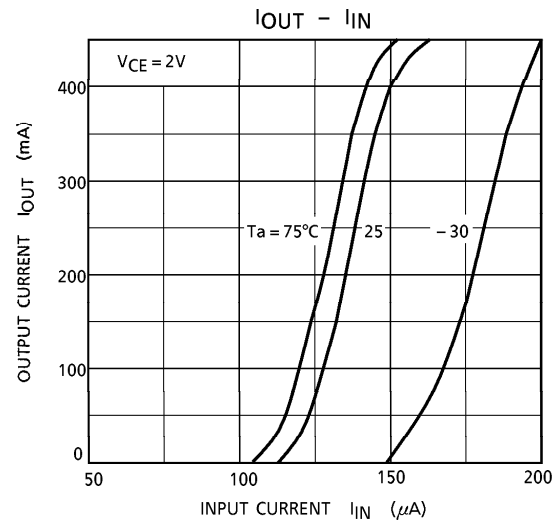
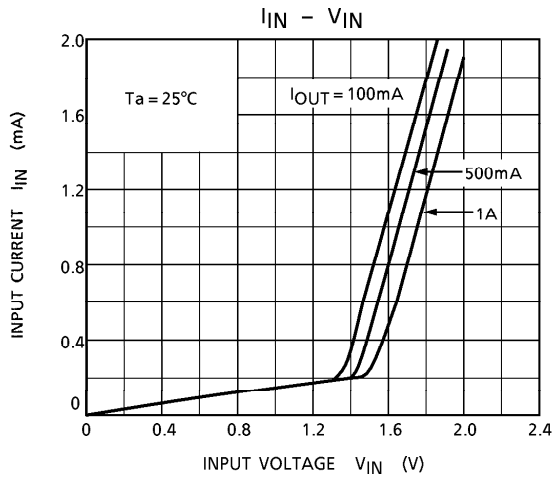
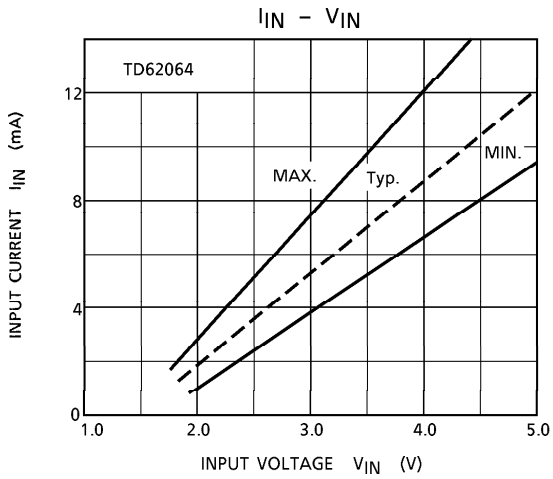
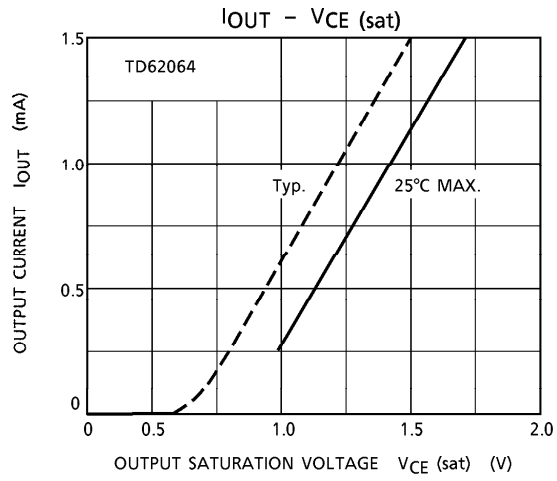
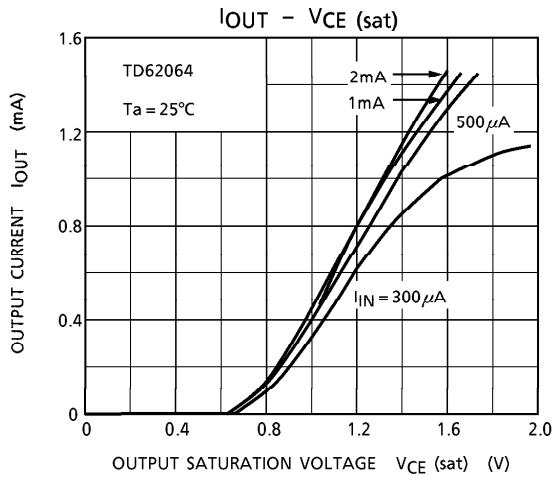
(Note 1) Pulse Width $50\mu s$, Duty Cycle 10%
Output Impedance 50Ω , $t_r \leq 5ns$, $t_f \leq 10ns$

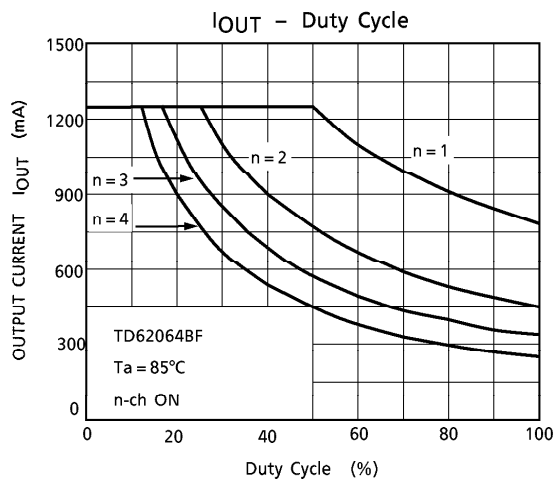
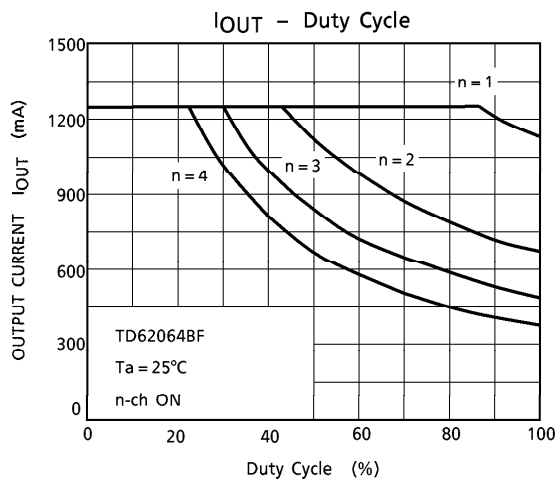
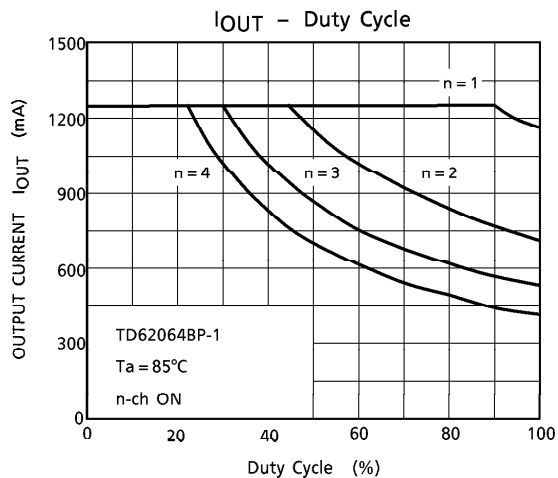
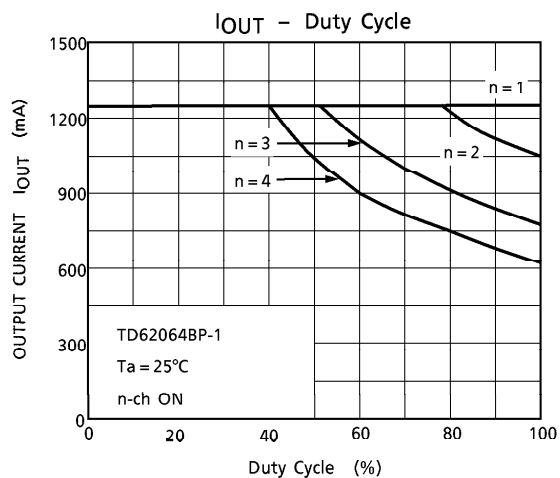
(Note 2) C_L includes probe and jig capacitance

8. V_{cef}



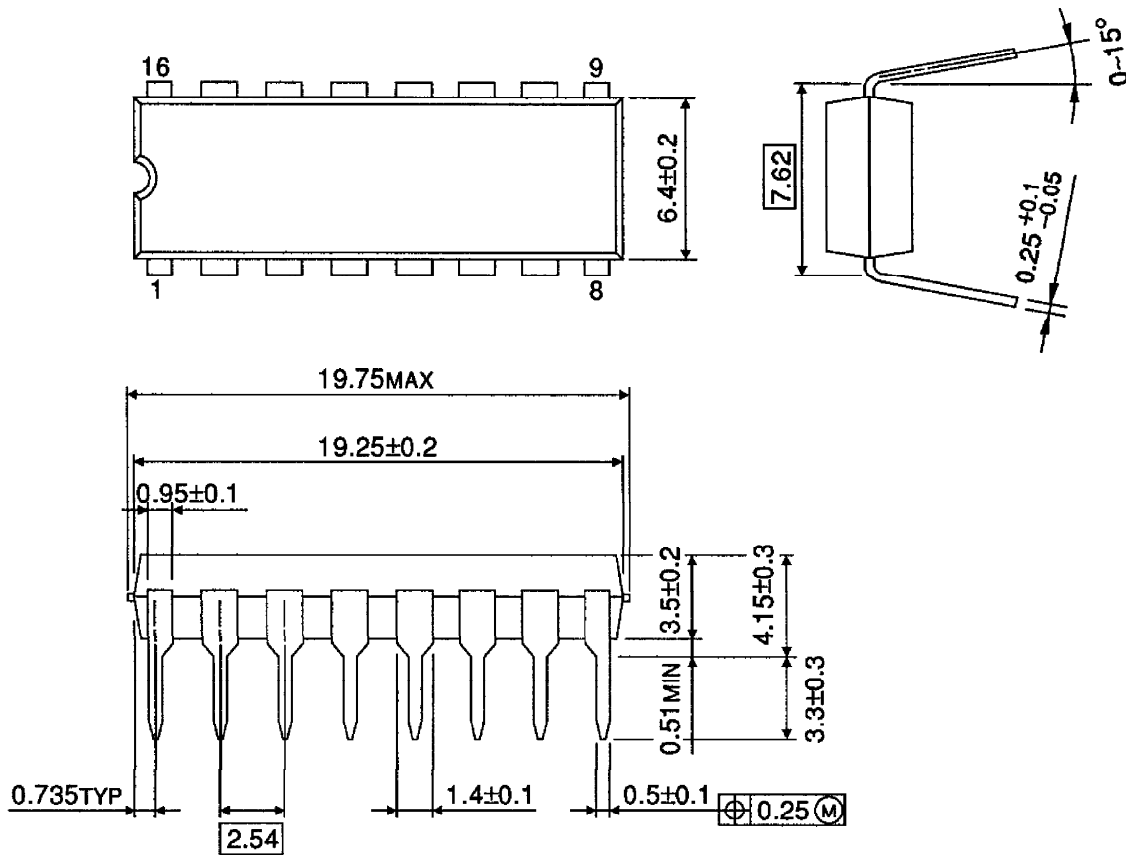
$I_{cef} = 150mA$ (at . Single pulse = 5ms)





OUTLINE DRAWING
DIP16-P-300A

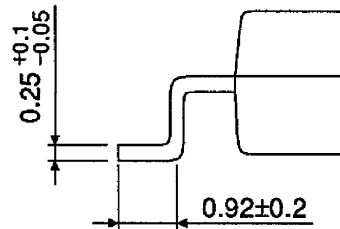
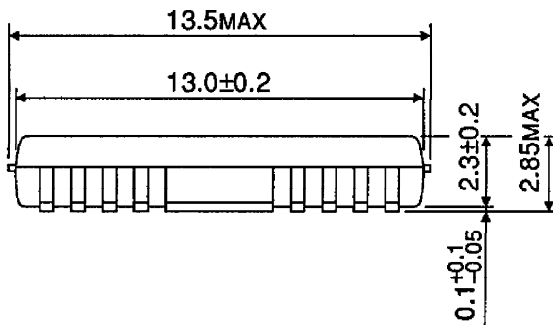
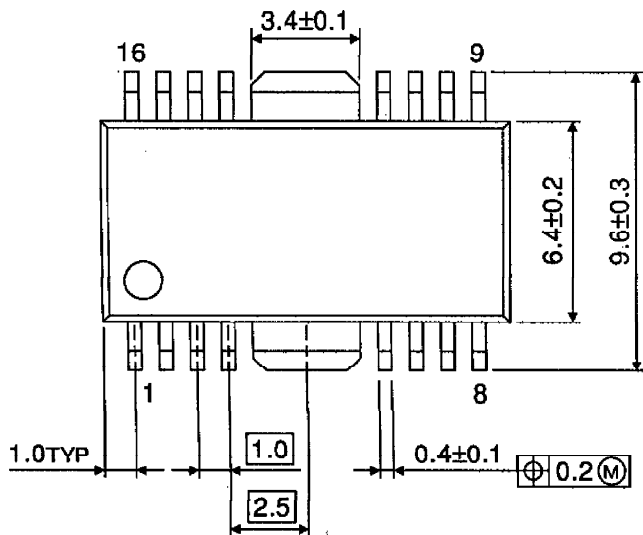
Unit : mm



Weight : 1.11g (Typ.)

OUTLINE DRAWING
HSOP16-P-300

Unit : mm



Weight : 0.50g (Typ.)