

同利企業有限公司規格承

TELE LONG ENTERPRISE CO., LTD SPECIFICATION FOR APPROVAL

DESCRIPTION:

(A) Electronics And Optical Characteristics: Ta=25°C

PART NO	EMITTING COLOR	FORWARD VOLTAGE (VF) UNIT: V	AXIAL LUMINOUS INTENSITY (Iv) UNIT: mcd	PEAK WAVELENGTH UNIT: nm	Viewing Angle Unit:deg	Figure
5↓ SCREW LIGHT-B	InGaN/Super Blue	13.2	2300	474.0	13	J
Test Condition		IF=20mA	IF=20mA	IF=10mA	IF=20mA	
IR max: 0.01mA ; VR=5V						

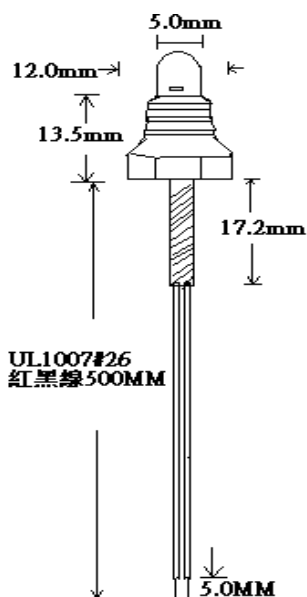


Figure E

(B) Absolute Maximum Ratings AT Ta=25°C

PARAMETER	MAX	UNIT
Power Dissipation	120	mW
Continuous Forward Current	25	mA
Peak Forward Current(1/10Duty Cycle0.1ms Pulse Width)	100	mA
Reverse Voltage	5	V
Operating Temperature Range	-30°C to+85°C	
Storage Temperature Range	-40°C to+100°C	
Lead Solder Temperature 1.6mm Below Package 260°C For 5 seconds		

APPROVED

& CHECKED BY: 陳榮 Tested By: 陳榮 Date:2003年09月17日