

TLV320AIC23

***Stereo Audio CODEC,
8- to 96-kHz, With Integrated Headphone Amplifier***

Data Manual

IMPORTANT NOTICE

Texas Instruments Incorporated and its subsidiaries (TI) reserve the right to make corrections, modifications, enhancements, improvements, and other changes to its products and services at any time and to discontinue any product or service without notice. Customers should obtain the latest relevant information before placing orders and should verify that such information is current and complete. All products are sold subject to TI's terms and conditions of sale supplied at the time of order acknowledgment.

TI warrants performance of its hardware products to the specifications applicable at the time of sale in accordance with TI's standard warranty. Testing and other quality control techniques are used to the extent TI deems necessary to support this warranty. Except where mandated by government requirements, testing of all parameters of each product is not necessarily performed.

TI assumes no liability for applications assistance or customer product design. Customers are responsible for their products and applications using TI components. To minimize the risks associated with customer products and applications, customers should provide adequate design and operating safeguards.

TI does not warrant or represent that any license, either express or implied, is granted under any TI patent right, copyright, mask work right, or other TI intellectual property right relating to any combination, machine, or process in which TI products or services are used. Information published by TI regarding third-party products or services does not constitute a license from TI to use such products or services or a warranty or endorsement thereof. Use of such information may require a license from a third party under the patents or other intellectual property of the third party, or a license from TI under the patents or other intellectual property of TI.

Reproduction of information in TI data books or data sheets is permissible only if reproduction is without alteration and is accompanied by all associated warranties, conditions, limitations, and notices. Reproduction of this information with alteration is an unfair and deceptive business practice. TI is not responsible or liable for such altered documentation.

Resale of TI products or services with statements different from or beyond the parameters stated by TI for that product or service voids all express and any implied warranties for the associated TI product or service and is an unfair and deceptive business practice. TI is not responsible or liable for any such statements.

Mailing Address:

Texas Instruments
Post Office Box 655303
Dallas, Texas 75265

Contents

<i>Section</i>	<i>Title</i>	<i>Page</i>
1	Introduction	1-1
1.1	Features	1-1
1.2	Functional Block Diagram	1-3
1.3	Terminal Assignments	1-4
1.4	Ordering Information	1-4
1.5	Terminal Functions	1-5
2	Specifications	2-1
2.1	Absolute Maximum Ratings Over Operating Free-Air Temperature Range	2-1
2.2	Recommended Operating Conditions	2-1
2.3	Electrical Characteristics Over Recommended Operating Conditions	2-2
2.3.1	ADC	2-2
2.3.2	DAC	2-3
2.3.3	Analog Line Input to Line Output	2-3
2.3.4	Stereo Headphone Output	2-4
2.3.5	Analog Reference Levels	2-4
2.3.6	Digital I/O	2-4
2.3.7	Supply Current	2-4
2.4	Digital-Interface Timing	2-5
2.4.1	Audio Interface (Master Mode)	2-5
2.4.2	Audio Interface (Slave-Mode)	2-6
2.4.3	Three-Wire Control Interface	2-7
2.4.4	Two-Wire Control Interface	2-7
3	How to Use the AIC23	3-1
3.1	Control Interfaces	3-1
3.1.1	SPI	3-1
3.1.2	2-Wire	3-1
3.1.3	Register Map	3-2
3.2	Analog Interface	3-5
3.2.1	Line Inputs	3-5
3.2.2	Microphone Input	3-5
3.2.3	Line Outputs	3-6
3.2.4	Headphone Output	3-6
3.2.5	Analog Bypass Mode	3-7
3.2.6	Sidetone Insertion	3-7

3.3	Digital Audio Interface	3-7
3.3.1	Digital Audio-Interface Modes	3-7
3.3.2	Audio Sampling Rates	3-9
3.3.3	Digital Filter Characteristics	3-11
A	Mechanical Data	A-1

List of Illustrations

<i>Figure</i>	<i>Title</i>	<i>Page</i>
2-1	System-Clock Timing Requirements	2-5
2-2	Master-Mode Timing Requirements	2-5
2-3	Slave-Mode Timing Requirements	2-6
2-4	Three-Wire Control Interface Timing Requirements	2-7
2-5	Two-Wire Control Interface Timing Requirements	2-7
3-1	SPI Timing	3-1
3-2	2-Wire Compatible Timing	3-2
3-3	Analog Line Input Circuit	3-5
3-4	Microphone Input Circuit	3-6
3-5	Right-Justified Mode Timing	3-7
3-6	Left-Justified Mode Timing	3-8
3-7	I2S Mode Timing	3-8
3-8	DSP Mode Timing	3-8
3-9	Digital De-Emphasis Filter Response – 44.1 kHz Sampling	3-12
3-10	Digital De-Emphasis Filter Response – 48 kHz Sampling	3-12
3-11	ADC Digital Filter Response 0: USB Mode (Group Delay = 12 Output Samples)	3-13
3-12	ADC Digital Filter Ripple 0: USB (Group Delay = 20 Output Samples)	3-13
3-13	ADC Digital Filter Response 1: USB Mode Only	3-14
3-14	ADC Digital Filter Ripple 1: USB Mode Only	3-14
3-15	ADC Digital Filter Response 2: USB mode and Normal Modes (Group Delay = 3 Output Samples)	3-15
3-16	ADC Digital Filter Ripple 2: USB Mode and Normal Modes	3-15
3-17	ADC Digital Filter Response 3: USB Mode Only	3-16
3-18	ADC Digital Filter Ripple 3: USB Mode Only	3-16
3-19	DAC Digital Filter Response 0: USB Mode	3-17
3-20	DAC Digital Filter Ripple 0: USB Mode	3-17
3-21	DAC Digital Filter Response 1: USB Mode Only	3-18
3-22	DAC Digital Filter Ripple 1: USB Mode Only	3-18
3-23	DAC Digital Filter Response 2: USB Mode and Normal Modes	3-19
3-24	DAC Digital Filter Ripple 2: USB Mode and Normal Modes	3-19
3-25	DAC Digital Filter Response 3: USB Mode Only	3-20
3-26	DAC Digital Filter Ripple 3: USB Mode Only	3-20

1 Introduction

The TLV320AIC23 is a high-performance stereo audio codec with highly integrated analog functionality. The analog-to-digital converters (ADCs) and digital-to-analog converters (DACs) within the TLV320AIC23 use multibit sigma-delta technology with integrated oversampling digital interpolation filters. Data-transfer word lengths of 16, 20, 24, and 32 bits, with sample rates from 8 kHz to 96 kHz, are supported. The ADC sigma-delta modulator features third-order multibit architecture with up to 90-dBA signal-to-noise ratio (SNR) at audio sampling rates up to 96 kHz, enabling high-fidelity audio recording in a compact, power-saving design. The DAC sigma-delta modulator features a second-order multibit architecture with up to 100-dBA SNR at audio sampling rates up to 96 kHz, enabling high-quality digital audio-playback capability, while consuming less than 23 mW during playback only. The TLV320AIC23 is the ideal analog input/output (I/O) choice for portable digital audio-player and recorder applications, such as MP3 digital audio players.

Integrated analog features consist of stereo-line inputs with an analog bypass path, a stereo headphone amplifier, with analog volume control and mute, and a complete electret-microphone-capsule biasing and buffering solution. The headphone amplifier is capable of delivering 30 mW per channel into 32 Ω . The analog bypass path allows use of the stereo-line inputs and the headphone amplifier with analog volume control, while completely bypassing the codec, thus enabling further design flexibility, such as integrated FM tuners. A microphone bias-voltage output provides a low-noise current source for electret-capsule biasing. The AIC23 has an integrated adjustable microphone amplifier (gain adjustable from 1 to 5) and a programmable gain microphone amplifier (0 dB or 20 dB). The microphone signal can be mixed with the output signals if a sidetone is required.

While the TLV320AIC23 supports the industry-standard oversampling rates of $256 f_s$ and $384 f_s$, unique oversampling rates of $250 f_s$ and $272 f_s$ are provided, which optimize interface considerations in designs using TI C54x digital signal processors (DSPs) and universal serial bus (USB) data interfaces. A single 12-MHz crystal can supply clocking to the DSP, USB, and codec. The TLV320AIC23 features an internal oscillator that, when connected to a 12-MHz external crystal, provides a system clock to the DSP and other peripherals at either 12 MHz or 6 MHz, using an internal clock buffer and selectable divider. Audio sample rates of 48 kHz and compact-disc (CD) standard 44.1 kHz are supported directly from a 12-MHz master clock with $250 f_s$ and $272 f_s$ oversampling rates.

Low power consumption and flexible power management allow selective shutdown of codec functions, thus extending battery life in portable applications. This design solution, coupled with the industry's smallest package, the TI proprietary MicroStar Junior™ using only 25 mm² of board area, makes powerful portable stereo audio designs easily realizable in a cost-effective, space-saving total analog I/O solution: the TLV320AIC23.

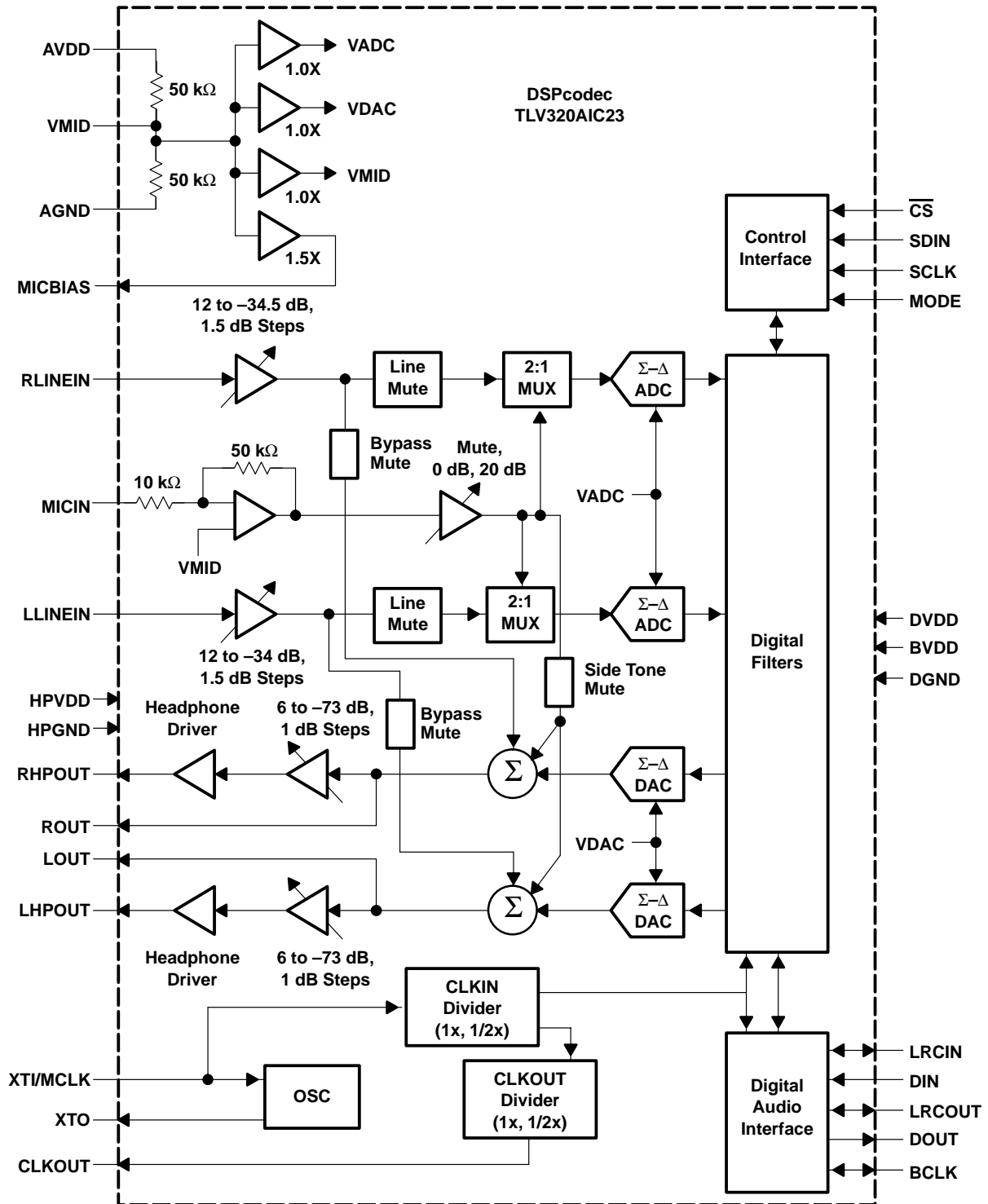
1.1 Features

- High-Performance Stereo Codec
 - 90-dB SNR Multibit Sigma-Delta ADC (A-weighted at 48 kHz)
 - 100-dB SNR Multibit Sigma-Delta DAC (A-weighted at 48 kHz)
 - 1.42 V – 3.6 V Core Digital Supply: Compatible With TI C54x DSP Core Voltages
 - 2.7 V – 3.6 V Buffer and Analog Supply: Compatible Both TI C54x DSP Buffer Voltages
 - 8-kHz – 96-kHz Sampling-Frequency Support
- Software Control Via TI McBSP-Compatible Multiprotocol Serial Port
 - 2-wire-Compatible and SPI-Compatible Serial-Port Protocols
 - Glueless Interface to TI McBSPs
- Audio-Data Input/Output Via TI McBSP-Compatible Programmable Audio Interface
 - I²S-Compatible Interface Requiring Only One McBSP for both ADC and DAC
 - Standard I²S, MSB, or LSB Justified-Data Transfers
 - 16/20/24/32-Bit Word Lengths

MicroStar Junior is a trademark of Texas Instruments.

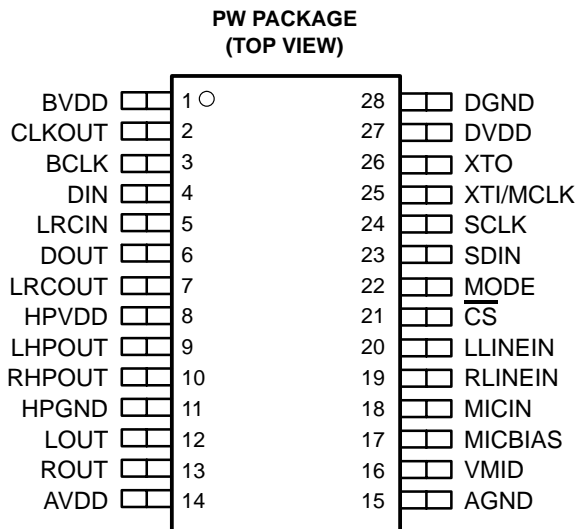
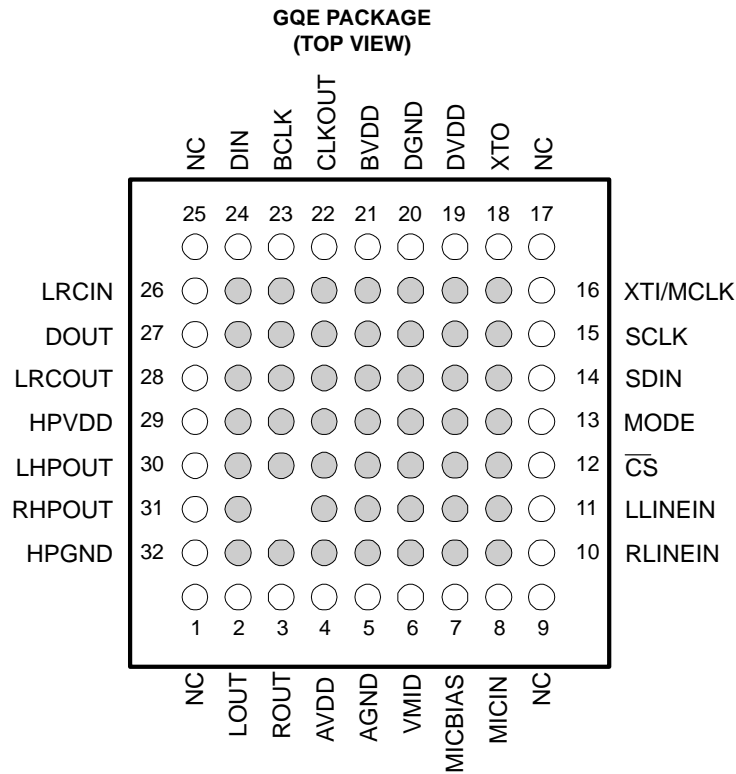
- Audio Master/Slave Timing Capability Optimized for TI DSPs (250/272 f_s), USB mode
- Industry-Standard Master/Slave Support Provided Also (256/384 f_s), Normal mode
- Glueless Interface to TI McBSPs
- Integrated Total Electret-Microphone Biasing and Buffering Solution
 - Low-Noise MICBIAS pin at 3/4 AVDD for Biasing of Electret Capsules
 - Integrated Buffer Amplifier With Tunable Fixed Gain of 1 to 5
 - Additional Control-Register Selectable Buffer Gain of 0 dB or 20 dB
- Stereo-Line Inputs
 - Integrated Programmable Gain Amplifier
 - Analog Bypass Path of Codec
- ADC Multiplexed Input for Stereo-Line Inputs and Microphone
- Stereo-Line Outputs
 - Analog Stereo Mixer for DAC and Analog Bypass Path
- Analog Volume Control With Mute
- Highly Efficient Linear Headphone Amplifier
 - 30 mW into 32 Ω From a 3.3-V Analog Supply Voltage
- Flexible Power Management Under Total Software Control
 - 23-mW Power Consumption During Playback Mode
 - Standby Power Consumption <150 μ W
 - Power-Down Power Consumption <15 μ W
- Industry's Smallest Package: 32-Pin TI Proprietary MicroStar Junior™
 - 25 mm² Total Board Area
 - 28-Pin TSSOP Also Is Available (62 mm² Total Board Area)
- Ideally Suitable for Portable Solid-State Audio Players and Recorders

1.2 Functional Block Diagram



NOTE: MCLK, BCLK, and SCLK are all asynchronous to each other.

1.3 Terminal Assignments



1.4 Ordering Information

T _A	PACKAGE	
	32-Pin MicroStar Junior GQE	28-Pin TSSOP PW
-10°C to 70°C	TLV320AIC23GQE	TLV320AIC23PW
-40°C to 85°C	TLV320AIC23IGQE	TLV320AIC23IPW

1.5 Terminal Functions

TERMINAL			I/O	DESCRIPTION
NAME	NO.			
	GQE	PW		
AGND	5	15		Analog supply return
AVDD	4	14		Analog supply input. Voltage level is 3.3 V nominal.
BCLK	23	3	I/O	I ² S serial-bit clock. In audio master mode, the AIC23 generates this signal and sends it to the DSP. In audio slave mode, the signal is generated by the DSP.
BVDD	21	1		Buffer supply input. Voltage range is from 2.7 V to 3.6 V.
CLKOUT	22	2	O	Clock output. This is a buffered version of the XTI input and is available in 1X or 1/2X frequencies of XTI. Bit 07 in the sample rate control register controls frequency selection.
$\overline{\text{CS}}$	12	21	I	Control port input latch/address select. For SPI control mode this input acts as the data latch control. For 2-wire control mode this input defines the seventh bit in the device address field. See Section 3.1 for details.
DIN	24	4	I	I ² S format serial data input to the sigma-delta stereo DAC
DGND	20	28		Digital supply return
DOUT	27	6	O	I ² S format serial data output from the sigma-delta stereo ADC
DVDD	19	27		Digital supply input. Voltage range is 1.4 V to 3.6 V.
HPGND	32	11		Analog headphone amplifier supply return
HPVDD	29	8		Analog headphone amplifier supply input. Voltage level is 3.3 V nominal.
LHPOUT	30	9	O	Left stereo mixer-channel amplified headphone output. Nominal 0-dB output level is 1 V _{RMS} . Gain of –73 dB to 6 dB is provided in 1-dB steps.
LLINEIN	11	20	I	Left stereo-line input channel. Nominal 0-dB input level is 1 V _{RMS} . Gain of –34.5 dB to 12 dB is provided in 1.5-dB steps.
LOUT	2	12	O	Left stereo mixer-channel line output. Nominal output level is 1.0 V _{RMS} .
LRCIN	26	5	I/O	I ² S DAC-word clock signal. In audio master mode, the AIC23 generates this framing signal and sends it to the DSP. In audio slave mode, the signal is generated by the DSP.
LRCOUT	28	7	I/O	I ² S ADC-word clock signal. In audio master mode, the AIC23 generates this framing signal and sends it to the DSP. In audio slave mode, the signal is generated by the DSP.
MICBIAS	7	17	O	Buffered low-noise-voltage output suitable for electret-microphone-capsule biasing. Voltage level is 3/4 AVDD nominal.
MICIN	8	18	I	Buffered amplifier input suitable for use with electret-microphone capsules. Without external resistors a default gain of 5 is provided. See Section 2.3.1.2 for details.
MODE	13	22	I	Serial-interface-mode input. See Section 3.1 for details.
NC	1, 9 17, 25			Not Used—No internal connection
RHPOUT	31	10	O	Right stereo mixer-channel amplified headphone output. Nominal 0-dB output level is 1 V _{RMS} . Gain of –73 dB to 6 dB is provided in 1-dB steps.
RLINEIN	10	19	I	Right stereo-line input channel. Nominal 0-dB input level is 1 V _{RMS} . Gain of –34.5 dB to 12 dB is provided in 1.5-dB steps.
ROUT	3	13	O	Right stereo mixer-channel line output. Nominal output level is 1.0 V _{RMS} .
SCLK	15	24	I	Control-port serial-data clock. For SPI and 2-wire control modes this is the serial-clock input. See Section 3.1 for details.
SDIN	14	23	I	Control-port serial-data input. For SPI and 2-wire control modes this is the serial-data input and also is used to select the control protocol after reset. See Section 3.1 for details.
VMID	6	16	I	Midrail voltage decoupling input. 10- μ F and 0.1- μ F capacitors should be connected in parallel to this terminal for noise filtering. Voltage level is 1/2 AVDD nominal.
XTI/MCLK	16	25	I	Crystal or external-clock input. Used for derivation of all internal clocks on the AIC23.
XTO	18	26	O	Crystal output. Connect to external crystal for applications where the AIC23 is the audio timing master. Not used in applications where external clock source is used.

2.3 Electrical Characteristics Over Recommended Operating Conditions, AV_{DD} , HPV_{DD} , $BV_{DD} = 3.3\text{ V}$, $DV_{DD} = 1.5\text{ V}$, Slave Mode, $XTI/MCLK = 256\text{fs}$, $f_S = 48\text{ kHz}$ (unless otherwise stated)

2.3.1 ADC

2.3.1.1 Line Input to ADC

PARAMETER	TEST CONDITIONS	MIN	TYP	MAX	UNIT
Input signal level (0 dB)			1		V_{RMS}
Signal-to-noise ratio, A-weighted, 0-dB gain (see Notes 3 and 4)	$f_S = 48\text{ kHz}$ (3.3 V)	85	90		dB
	$f_S = 48\text{ kHz}$ (2.7 V)		90		
Dynamic range, A-weighted, -60-dB full-scale input (see Note 4)	$AV_{DD} = 3.3\text{ V}$	85	90		dB
	$AV_{DD} = 2.7\text{ V}$		90		
Total harmonic distortion, -1-dB input, 0-dB gain	$AV_{DD} = 3.3\text{ V}$		-80		dB
	$AV_{DD} = 2.7\text{ V}$		80		
Power supply rejection ratio	1 kHz, 100 mV _{pp}		50		dB
ADC channel separation	1 kHz input tone		90		dB
Programmable gain	1 kHz input tone, $R_{SOURCE} < 50\ \Omega$	-34.5		12	dB
Programmable gain step size	Monotonic		1.5		dB
Mute attenuation	0 dB, 1 kHz input tone		80		dB
Input resistance	12 dB Input gain	10		20	k Ω
	0 dB input gain	30	35		
Input capacitance			10		pF

NOTES: 3. Ratio of output level with 1-kHz full-scale input, to the output level with the input short circuited, measured A-weighted over a 20-Hz to 20-kHz bandwidth using an audio analyzer.

4. All performance measurements done with 20-kHz low-pass filter and, where noted, A-weighted filter. Failure to use such a filter results in higher THD + N and lower SNR and dynamic range readings than shown in the Electrical Characteristics. The low-pass filter removes out-of-band noise, which, although not audible, may affect dynamic specification values.

2.3.1.2 Microphone Input to ADC, 0-dB Gain, $f_S = 8\text{ kHz}$ (40-K Ω Source Impedance, see Section 1.2, *Functional Block Diagram*)

PARAMETER	TEST CONDITIONS	MIN	TYP	MAX	UNIT
Input signal level (0 dB)			1.0		V_{RMS}
Signal-to-noise ratio, A-weighted, 0-dB gain (see Notes 3 and 4)	$AV_{DD} = 3.3\text{ V}$	80	85		dB
	$AV_{DD} = 2.7\text{ V}$		84		
Dynamic range, A-weighted, -60-dB full-scale input (see Note 4)	$AV_{DD} = 3.3\text{ V}$	80	85		dB
	$AV_{DD} = 2.7\text{ V}$		84		
Total harmonic distortion, -1-dB input, 0-dB gain	$AV_{DD} = 3.3\text{ V}$		-60		dB
	$AV_{DD} = 2.7\text{ V}$		-60		
Power supply rejection ratio	1 kHz, 100 mV _{pp}		50		dB
Programmable gain boost	1 kHz input tone, $R_{SOURCE} < 50\ \Omega$		20		dB
Microphone-path gain	$MICBOOST = 0$, $R_{SOURCE} < 50\ \Omega$		14		dB
Mute attenuation	0 dB, 1 kHz input tone	60	80		dB
Input resistance		8	14		k Ω
Input capacitance			10		pF

NOTES: 3. Ratio of output level with 1-kHz full-scale input, to the output level with the input short circuited, measured A-weighted over a 20-Hz to 20-kHz bandwidth using an audio analyzer.

4. All performance measurements done with 20-kHz low-pass filter and, where noted, A-weighted filter. Failure to use such a filter results in higher THD + N and lower SNR and dynamic range readings than shown in the Electrical Characteristics. The low-pass filter removes out-of-band noise, which, although not audible, may affect dynamic specification values.

2.3.1.3 Microphone Bias

PARAMETER	TEST CONDITIONS	MIN	TYP	MAX	UNIT
Bias voltage		3/4 AVDD – 100 m	3/4 AVDD	3/4 AVDD + 100 m	V
Bias-current source				3	mA
Output noise voltage	1 kHz to 20 kHz		25		nV/ $\sqrt{\text{Hz}}$

2.3.2 DAC

2.3.2.1 Line Output, Load = 10 k Ω , 50 pF

PARAMETER	TEST CONDITIONS	MIN	TYP	MAX	UNIT
0-dB full-scale output voltage (FFFFFF)			1.0		V_{RMS}
Signal-to-noise ratio, A-weighted, 0-dB gain (see Notes 3, 4, and 5)	AVDD = 3.3 V f _S = 48kHz	90	100		dB
	AVDD = 2.7 V f _S = 48 kHz		100		
Dynamic range, A-weighted (see Note 4)	AVDD = 3.3 V	85	90		dB
	AVDD = 2.7 V		TBD		
Total harmonic distortion	AVDD = 3.3 V	1 kHz, 0 dB	-88	-80	dB
		1 kHz, -3 dB	-92	-86	
	AVDD = 2.7 V	1 kHz, 0 dB	-85		dB
		1 kHz, -3 dB	-88		
Power supply rejection ratio	1 kHz, 100 mV _{pp}		50		dB
DAC channel separation			100		dB

- NOTES:
- Ratio of output level with 1-kHz full-scale input, to the output level with the input short circuited, measured A-weighted over a 20-Hz to 20-kHz bandwidth using an audio analyzer.
 - All performance measurements done with 20-kHz low-pass filter and, where noted, A-weighted filter. Failure to use such a filter results in higher THD + N and lower SNR and dynamic range readings than shown in the Electrical Characteristics. The low-pass filter removes out-of-band noise, which, although not audible, may affect dynamic specification values.
 - Ratio of output level with 1-kHz full-scale input, to the output level with all zeros into the digital input, measured A-weighted over a 20-Hz to 20-kHz bandwidth.

2.3.3 Analog Line Input to Line Output (Bypass)

PARAMETER	TEST CONDITIONS	MIN	TYP	MAX	UNIT
0-dB full-scale output voltage			1.0		V_{RMS}
Signal-to-noise ratio, A-weighted, 0-dB gain (see Notes 3 and 4)	AVDD = 3.3 V	90	95		dB
	AVDD = 2.7 V		95		
Total harmonic distortion	AVDD = 3.3 V	1 kHz, 0 dB	-86	-80	dB
		1 kHz, -3 dB	-92	-86	
	AVDD = 2.7 V	1 kHz, 0 dB	-86		dB
		1 kHz, -3 dB	-92		
Power supply rejection ratio	1 kHz, 100 mV _{pp}		50		dB
DAC channel separation (left to right)	1 kHz, 0 dB		80		dB

- NOTES:
- Ratio of output level with 1-kHz full-scale input, to the output level with the input short circuited, measured A-weighted over a 20-Hz to 20-kHz bandwidth using an audio analyzer.
 - All performance measurements done with 20-kHz low-pass filter and, where noted, A-weighted filter. Failure to use such a filter results in higher THD + N and lower SNR and dynamic range readings than shown in the Electrical Characteristics. The low-pass filter removes out-of-band noise, which, although not audible, may affect dynamic specification values.

2.3.4 Stereo Headphone Output

PARAMETER	TEST CONDITIONS	MIN	TYP	MAX	UNIT
0-dB full-scale output voltage			1.0		V _{RMS}
Maximum output power, P _O	R _L = 32 Ω		30		mW
	R _L = 16 Ω		40		
Signal-to-noise ratio, A-weighted (see Note 4)	AV _{DD} = 3.3 V	90	97		dB
Total harmonic distortion	AV _{DD} = 3.3 V, 1 kHz output	P _O = 10 mW		0.1	%
		P _O = 20 mW		1.0	
Power supply rejection ratio	1 kHz, 100 mV _{pp}		50		dB
Programmable gain	1 kHz output	-73		6	dB
Programmable-gain step size			1		dB
Mute attenuation	1 kHz output		80		dB

NOTE 4: All performance measurements done with 20-kHz low-pass filter and, where noted, A-weighted filter. Failure to use such a filter results in higher THD + N and lower SNR and dynamic range readings than shown in the Electrical Characteristics. The low-pass filter removes out-of-band noise, which, although not audible, may affect dynamic specification values.

2.3.5 Analog Reference Levels

PARAMETER	MIN	TYP	MAX	UNIT
Reference voltage	AV _{DD} /2 – 50 mV		AV _{DD} /2 + 50 mV	V
Divider resistance	40	50	60	kΩ

2.3.6 Digital I/O

PARAMETER	MIN	TYP	MAX	UNIT
V _{IL} Input low level			0.3 × BV _{DD}	V
V _{IH} Input high level	0.7 × BV _{DD}			V
V _{OL} Output low level			0.1 × BV _{DD}	V
V _{OH} Output high level	0.9 × BV _{DD}			V

2.3.7 Supply Current

PARAMETER	MIN	TYP	MAX	UNIT	
I _{TOT} Total supply current, No input signal	Record and playback (all active)		23	mA	
	Record and playback (osc, clk, and MIC output powered down)		18		
	Line playback only		7		
	Record only		13		
	Analog bypass (line in to line out)		4		
	Power down	Oscillator enabled			1.5
		Oscillator disabled			0.01

2.4 Digital-Interface Timing

PARAMETER		MIN	TYP	MAX	UNIT
$t_w(1)$	System-clock pulse duration, MCLK/XTI	High			ns
$t_w(2)$		Low			
$t_c(1)$	System-clock period, MCLK/XTI	54			ns
	Duty cycle, MCLK/XTI	40/60%		60/40%	
$t_{pd}(1)$	Propagation delay, CLKOUT	0		10	ns

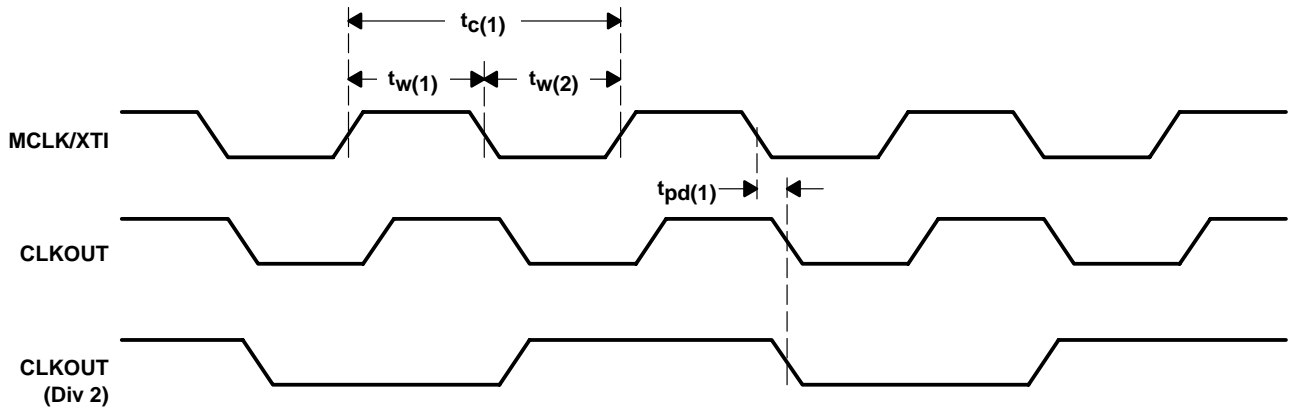


Figure 2–1. System-Clock Timing Requirements

2.4.1 Audio Interface (Master Mode)

PARAMETER		MIN	TYP	MAX	UNIT
$t_{pd}(2)$	Propagation delay, LRCIN/LRCOUT	0		10	ns
$t_{pd}(3)$	Propagation delay, DOUT	0		10	ns
$t_{su}(1)$	Setup time, DIN	10			ns
$t_h(1)$	Hold time, DIN	10			ns

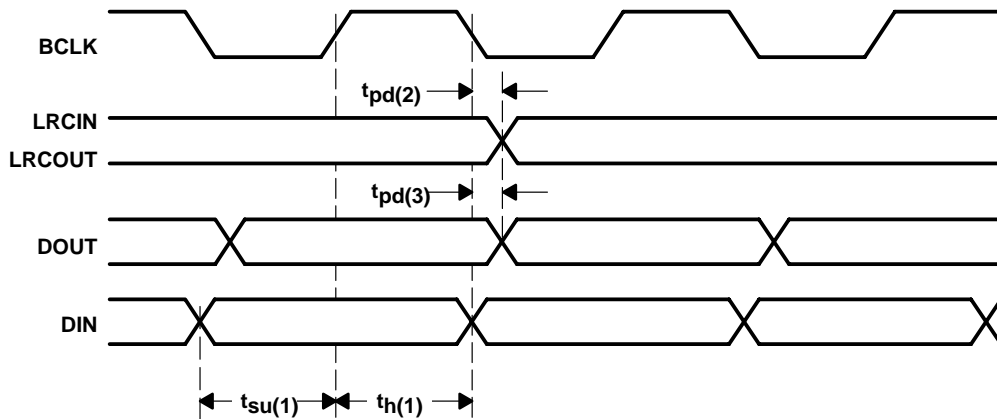


Figure 2–2. Master-Mode Timing Requirements

2.4.2 Audio Interface (Slave-Mode)

PARAMETER			MIN	TYP	MAX	UNIT
$t_w(3)$	Pulse duration, BCLK	High	20			ns
$t_w(4)$		Low	20			
$t_c(2)$	Clock period, BCLK		50			ns
$t_{pd}(4)$	Propagation delay, DOUT		0		10	ns
$t_{su}(2)$	Setup time, DIN		10			ns
$t_h(2)$	Hold time, DIN		10			ns
$t_{su}(3)$	Setup time, LRCIN		10			ns
$t_h(3)$	Hold time, LRCIN		10			ns

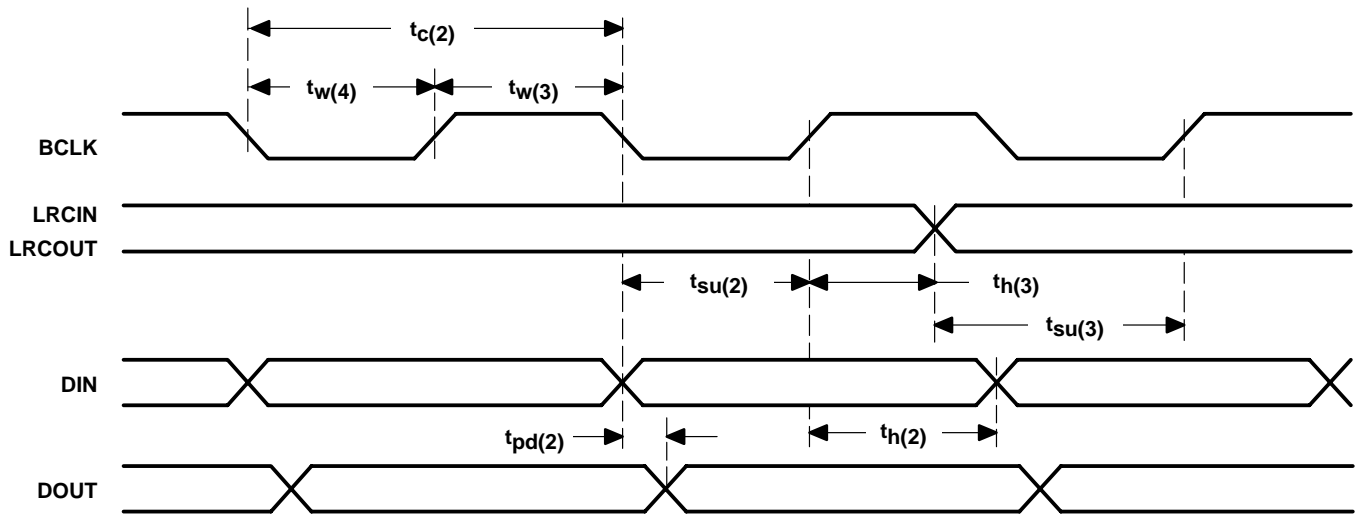


Figure 2-3. Slave-Mode Timing Requirements

2.4.3 Three-Wire Control Interface (SDIN)

PARAMETER		MIN	TYP	MAX	UNIT
$t_{w(5)}$	Clock pulse duration, SCLK	High	20		ns
$t_{w(6)}$		Low	20		
$t_{c(3)}$	Clock period, SCLK	80			ns
$t_{su(4)}$	Clock rising edge to \overline{CS} rising edge, SCLK	60			ns
$t_{su(5)}$	Setup time, SDIN to SCLK	20			ns
$t_{h(4)}$	Hold time, SCLK to SDIN	20			ns
$t_{w(7)}$	Pulse duration, \overline{CS}	High	20		ns
$t_{w(8)}$		Low	20		

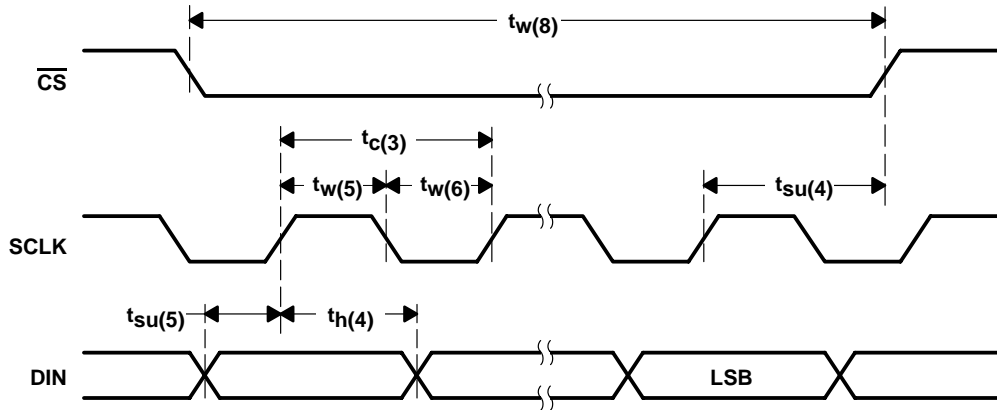


Figure 2-4. Three-Wire Control Interface Timing Requirements

2.4.4 Two-Wire Control Interface

PARAMETER		MIN	TYP	MAX	UNIT
$t_{w(9)}$	Clock pulse duration, SCLK	High	1.3		μ s
$t_{w(10)}$		Low	600		ns
$f(sf)$	Clock frequency, SCLK	0	400		kHz
$t_{h(5)}$	Hold time (start condition)	600			ns
$t_{su(6)}$	Setup time (start condition)	600			ns
$t_{h(6)}$	Data hold time			900	ns
$t_{su(7)}$	Data setup time	100			ns
t_r	Rise time, SDIN, SCLK			300	ns
t_f	Fall time, SDIN, SCLK			300	ns
$t_{su(8)}$	Setup time (stop condition)	600			ns

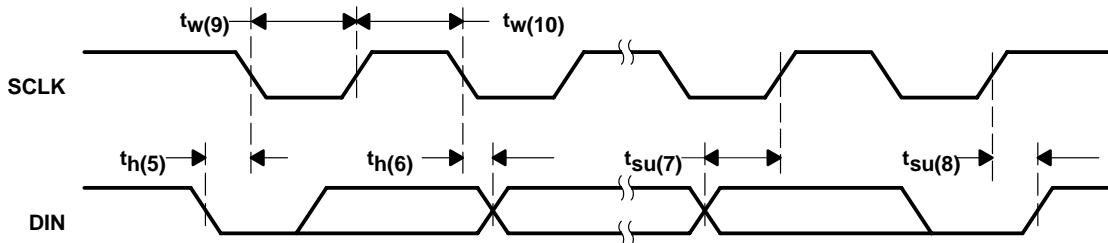


Figure 2-5. Two-Wire Control Interface Timing Requirements

3 How to Use the TLV320AIC23

3.1 Control Interfaces

The TLV320AIC23 has many programmable features. The control interface is used to program the registers of the device. The control interface complies with SPI (three-wire operation) and two-wire operation specifications. The state of the MODE terminal selects the control interface type. The MODE pin must be hardwired to the required level.

MODE	INTERFACE
0	2-wire
1	SPI

3.1.1 SPI

In SPI mode, SDIN carries the serial data, SCLK is the serial clock and \overline{CS} latches the data word into the TLV320AIC23. The interface is compatible with microcontrollers and DSPs with an SPI interface.

A control word consists of 16 bits, starting with the MSB. The data bits are latched on the rising edge of SCLK. A rising edge on \overline{CS} after the 16th rising clock edge latches the data word into the AIC (see Figure 3-1).

The control word is divided into two parts. The first part is the address block, the second part is the data block:

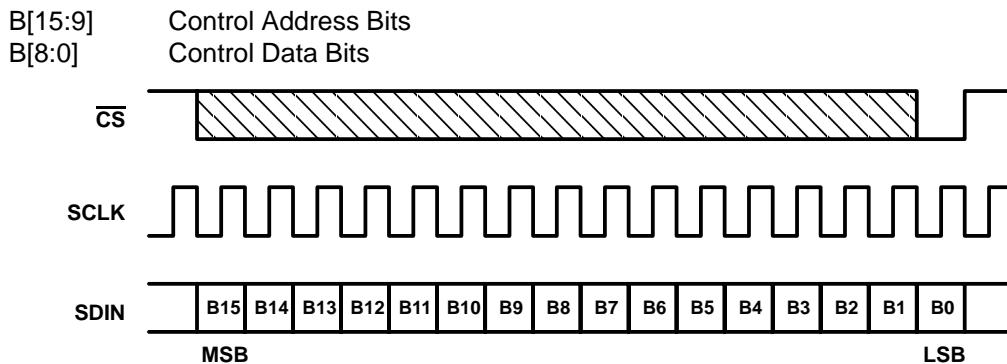


Figure 3–1. SPI Timing

3.1.2 2-Wire

In 2-wire mode, the data transfer uses SDIN for the serial data and SCLK for the serial clock. The start condition is a falling edge on SDIN while SCLK is high. The seven bits following the start condition determine which device on the 2-wire bus receives the data. R/W determines the direction of the data transfer. The TLV320AIC23 is a write only device and responds only if R/W is 0. The device operates only as a slave device whose address is selected by setting the state of the CS pin as follows.

\overline{CS} STATE (Default = 0)	ADDRESS
0	0011010
1	0011011

The device that recognizes the address responds by pulling SDIN low during the ninth clock cycle, acknowledging the data transfer. The control follows in the next two eight-bit blocks. The stop condition after the data transfer is a rising edge on SDIN when SCLK is high (see Figure 3-2).

The 16-bit control word is divided into two parts. The first part is the address block, the second part is the data block:

B[15:9] Control Address Bits
 B[8:0] Control Data Bits

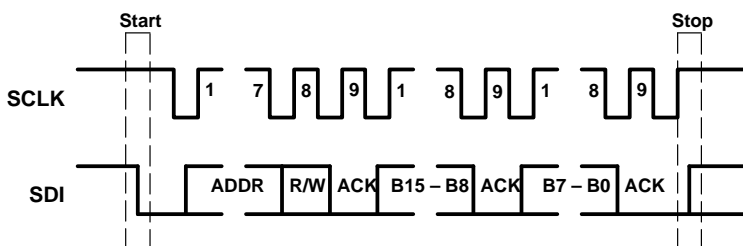


Figure 3–2. 2-Wire Compatible Timing

3.1.3 Register Map

The TLV320AIC23 has the following set of registers, which are used to program the modes of operation.

ADDRESS	REGISTER
0000000	Left line input channel volume control
0000001	Right line input channel volume control
0000010	Left channel headphone volume control
0000011	Right channel headphone volume control
0000100	Analog audio path control
0000101	Digital audio path control
0000110	Power down control
0000111	Digital audio interface format
0001000	Sample rate control
0001001	Digital interface activation
0001111	Reset register

Left line input channel volume control (Address: 0000000)

BIT	D8	D7	D6	D5	D4	D3	D2	D1	D0
Function	LRS	LIM	X	X	LIV4	LIV3	LIV2	LIV1	LIV0
Default	0	1	0	0	1	0	1	1	1

LRS Left/right line simultaneous volume/mute update
 Simultaneous update 0 = Disabled 1 = Enabled
 LIM Left line input mute 0 = Normal 1 = Muted
 LIV[4:0] Left line input volume control (10111 = 0 dB default)
 11111 = +12 dB down to 00000 = -34.5 dB in 1.5-dB steps
 X Reserved

Right Line Input Channel Volume Control (Address: 0000001)

BIT	D8	D7	D6	D5	D4	D3	D2	D1	D0
Function	RLS	RIM	X	X	RIV4	RIV3	RIV2	RIV1	RIV0
Default	0	1	0	0	1	0	1	1	1

RLS Right/left line simultaneous volume/mute update
 Simultaneous update 0 = Disabled 1 = Enabled
 RIM Right line input mute 0 = Normal 1 = Muted
 RIV[4:0] Right line input volume control (10111 = 0 dB default)
 11111 = +12 dB down to 00000 = -34.5 dB in 1.5-dB steps
 X Reserved

Left Channel Headphone Volume Control (Address: 0000010)

BIT	D8	D7	D6	D5	D4	D3	D2	D1	D0
Function	LRS	LZC	LHV6	LHV5	LHV4	LHV3	LHV2	LHV1	LHV0
Default	0	1	1	1	1	1	0	0	1

LRS Left/right headphone channel simultaneous volume/mute update
 Simultaneous update 0 = Disabled 1 = Enabled
 LZC Left-channel zero-cross detect
 Zero-cross detect 0 = Off 1 = On
 LHV[6:0] Left Headphone volume control (1111001 = 0 dB default)
 1111111 = +6 dB, 79 steps between +6 dB and -73 dB (mute), 0110000 = -73 dB (mute),
 any thing below 0110000 does nothing – you are still muted

Right Channel Headphone Volume Control (Address: 0000011)

BIT	D8	D7	D6	D5	D4	D3	D2	D1	D0
Function	RLS	RZC	RHV6	RHV5	RHV4	RHV3	RHV2	RHV1	RHV0
Default	0	1	1	1	1	1	0	0	1

RLS Right/left headphone channel simultaneous volume/mute Update
 Simultaneous update 0 = Disabled 1 = Enabled
 RZC Right-channel zero-cross detect
 Zero-cross detect 0 = Off 1 = On
 RHV[6:0] Right headphone volume control (1111001 = 0 dB default)
 1111111 = +6 dB, 79 steps between +6 dB and -73 dB (mute), 0110000 = -73 dB (mute),
 any thing below 0110000 does nothing – you are still muted

Analog Audio Path Control (Address: 0000100)

BIT	D8	D7	D6	D5	D4	D3	D2	D1	D0
Function	X	STA1	STA0	STE	DAC	BYP	INSEL	MICM	MICB
Default	0	0	0	0	1	1	0	1	0

STA[1:0] Sidetone attenuation 00 = -6 dB 01 = -9 dB 10 = -12 dB 11 = -15 dB
 STE Sidetone enable 0 = Disabled 1 = Enabled
 DAC DAC select 0 = DAC off 1 = DAC selected
 BYP Bypass 0 = Disabled 1 = Enabled
 INSEL Input select for ADC 0 = Line 1 = Microphone
 MICM Microphone mute 0 = Normal 1 = Muted
 MICB Microphone boost 0=0dB 1 = 20dB
 X Reserved

SR[3:0] Sampling rate control (see Sections 3.3.2.1 AND 3.3.2.2)
 BOSR Base oversampling rate
 USB mode: 0 = 250 f_s 1 = 272 f_s
 Normal mode: 0 = 256 f_s 1 = 384 f_s
 USB/Normal Clock mode select: 0 = Normal 1 = USB
 X Reserved

Digital Interface Activation (Address: 0001001)

BIT	D8	D7	D6	D5	D4	D3	D2	D1	D0
Function	X	X	X	X	X	X	X	X	ACT
Default	0	0	0	0	0	0	0	0	0

ACT Activate interface 0 = Inactive 1 = Active
 X Reserved

Reset Register (Address: 0001111)

BIT	D8	D7	D6	D5	D4	D3	D2	D1	D0
Function	RES	RES	RES	RES	RES	RES	RES	RES	RES
Default	0	0	0	0	0	0	0	0	0

RES Write 00000000 to this register triggers reset

3.2 Analog Interface

3.2.1 Line Inputs

The TLV320AIC23 has line inputs for the left and the right audio channels (RLINEIN and LLINEIN). Both line inputs have independently programmable volume controls and mutes. Active and passive filters for the two channels prevent high frequencies from folding back into the audio band.

The line-input gain is logarithmically adjustable from 12 dB to -34.5 dB in 1.5-dB steps. The ADC full-scale range is 1.0 V_{RMS} at $AV_{DD} = 3.3$ V. The full-scale range tracks linearly with analog supply voltage AV_{DD} . To avoid distortions, it is important not to exceed the full-scale range.

The gain is independently programmable on both left and right line-inputs. To reduce the number of software write cycles required. Both channels can be locked to the same value by setting the RLS and LRS bits (see Section 3.1.3).

The line inputs are biased internally to VMID. When the line inputs are muted or the device is set to standby mode, the line inputs are kept biased to VMID using special antithump circuitry. This reduces audible clicks that otherwise might be heard when reactivating the inputs.

For interfacing to a CD system, the line input should be scaled to 1 V_{RMS} to avoid clipping, using the circuit shown in Figure 3-3.

Where:

R1 = 5 k Ω
 R2 = 5 k Ω
 C1 = 47 pF
 C2 = 470 nF

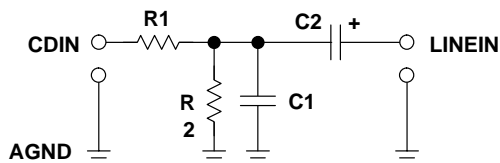


Figure 3-3. Analog Line Input Circuit

R1 and R2 divide the input signal by two, reducing the 2 V_{RMS} from the CD player to the nominal 1 V_{RMS} of the AIC23 inputs. C1 filters high-frequency noise, and C2 removes any dc component from the signal.

3.2.2 Microphone Input

MICIN is a high-impedance, low-capacitance input that is compatible with a wide range of microphones. It has a programmable volume control and a mute function. Active and passive filters prevent high frequencies from folding back into the audio band.

The MICIN signal path has two gain stages. The first stage has a nominal gain of $G1 = 50\text{ k}/10\text{ k} = 5$. By adding an external resistor (R_{MIC}) in series with MICIN, the gain of the first stage can be adjusted by $G1 = 50\text{ k}/(10\text{ k} + R_{MIC})$. For example, $R_{MIC} = 40\text{ k}$ gives a gain of 0 dB. The second stage has a software programmable gain of 0 dB or 20 dB (see Section 3.1.3).

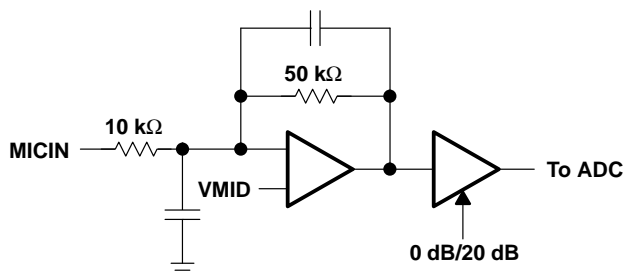


Figure 3–4. Microphone Input Circuit

The microphone input is biased internally to VMID. When the line inputs are muted, the MICIN input is kept biased to VMID using special antithump circuitry. This reduces audible clicks that may otherwise be heard when reactivating the input.

The MICBIAS output provides a low-noise reference voltage suitable for biasing electret type microphones and the associated external resistor biasing network. The maximum source current capability is 3 mA. This limits the smallest value of external biasing resistors that safely can be used.

The MICBIAS output is not active in standby mode.

3.2.3 Line Outputs

The TLV320AIC23 has two low-impedance line outputs (LLINEOUT and RLINEOUT) capable of driving line loads with 10-kΩ and 50-pF impedances.

The DAC full-scale output voltage is $1.0 V_{RMS}$ at $AV_{DD} = 3.3\text{ V}$. The full-scale range tracks linearly with the analog supply voltage AV_{DD} . The DAC is connected to the line outputs via a low-pass filter that removes out-of-band components. No further external filtering is required in most applications.

The DAC outputs, line inputs, and the microphone signal are summed into the line outputs. These sources can be switched off independently. For example, in bypass mode, the line inputs are routed to the line outputs, bypassing the ADC and the DAC. If sidetone is enabled, the microphone signal is routed to both line outputs via a four-step programmable attenuation circuit.

The line outputs are muted by either muting the DAC (analog) or soft muting (digital) and disabling the bypass and sidetone paths (see Section 3.1.3).

3.2.4 Headphone Output

The TLV320AIC23 has stereo headphone outputs (LHPOUT and RHPOUT), and is designed to drive 16-Ω or 32-Ω headphones. The headphone output includes a high-quality volume control and mute function.

The headphone volume is logarithmically adjustable from 6 dB to –73 dB in 1-dB steps. Writing 000000 to the volume-control registers (see Section 3.1.3) mutes the headphone output. When the headphone output is muted or the device is placed in standby mode, the dc voltage is maintained at the outputs to prevent audible clicks.

A zero-cross detection circuit is provided under the control of the LZC and RZC bits. If this circuit is enabled, the volume-control values are updated only when the input signal to the gain stage is close to the analog ground level. This minimizes audible clicks as the volume is changed or the device is muted. This circuit has no time-out, so, if only dc levels are being applied to the gain stage input of more than 20 mV, the gain is not updated.

The gain is independently programmable on the left and right channels. Both channels can be locked to the same value by setting the RLS and LRS bits (see Section 3.1.3).

3.2.5 Analog Bypass Mode

The TLV320AIC23 includes a bypass mode in which the analog line inputs are directly routed to the analog line outputs, bypassing the ADC and DAC. This is enabled by selecting the bypass bit in the analog audio path control register[see Section 3.1.3).

For a true bypass mode, the output from the DAC and the sidetone should be disabled. The line input and headphone output volume controls and mutes are still operational in bypass mode. Therefore the line inputs, DAC output, and microphone input can be summed together. The maximum signal at any point in the bypass path must be no greater than $1.0V_{rms}$ at $AV_{DD}=3.3V$ to avoid clipping and distortion. This amplitude tracks linearly with AV_{DD} .

3.2.6 Sidetone Insertion

The TLV320AIC23 has a sidetone insertion made where the microphone input is routed to the line and headphone outputs. This is useful for telephony and headset applications. The attenuation of the sidetone signal may be set to -6 dB , -9 dB , -12 dB , or -15 dB , by software selection (see Section 3.1.3). If this mode is used to sum the microphone input with the DAC output and line inputs, care must be taken not to exceed signal level to avoid clipping and distortion.

3.3 Digital Audio Interface

3.3.1 Digital Audio-Interface Modes

The TLV320AIC23 supports four audio-interface modes.

- Right justified
- Left justified
- I²S mode
- DSP mode

The four modes are MSB first and operate with a variable word width between 16 to 32 bits (except right-justified mode, which does not support 32 bits).

The digital audio interface consists of clock signal BCLK, data signals DIN and DOUT, and synchronization signals LRCIN and LRCOUT. BCLK is an output in master mode and an input in slave mode.

3.3.1.1 Right-Justified Mode

In right-justified mode, the LSB is available on the rising edge of BCLK, preceding a falling edge on LRCIN or LRCOUT (see Figure 3-5).

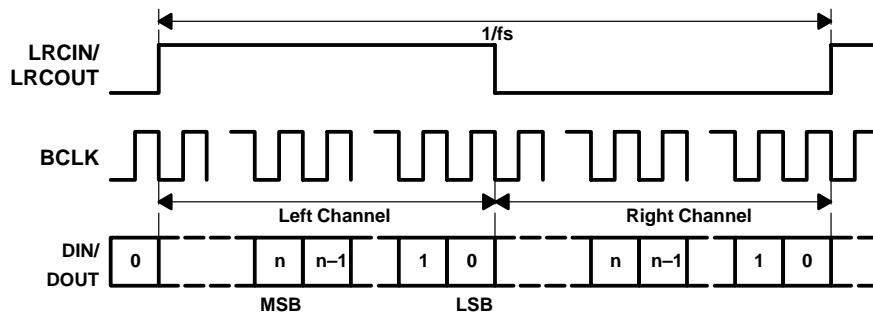


Figure 3-5. Right-Justified Mode Timing

3.3.1.2 Left-Justified Mode

In left-justified mode, the MSB is available on the rising edge of BCLK, following a rising edge on LRCIN or LRCOUT (see Figure 3-6)

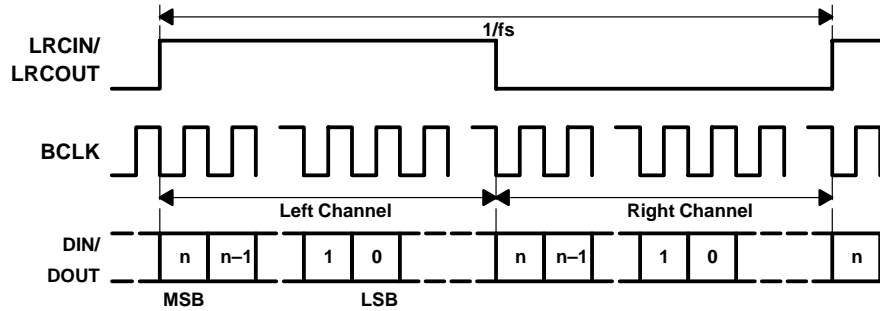


Figure 3-6. Left-Justified Mode Timing

3.3.1.3 I²S Mode

In I²S mode, the MSB is available on the second rising edge of BCLK, after the falling edge on LRCIN or LRCOUT (see Figure 3-7).

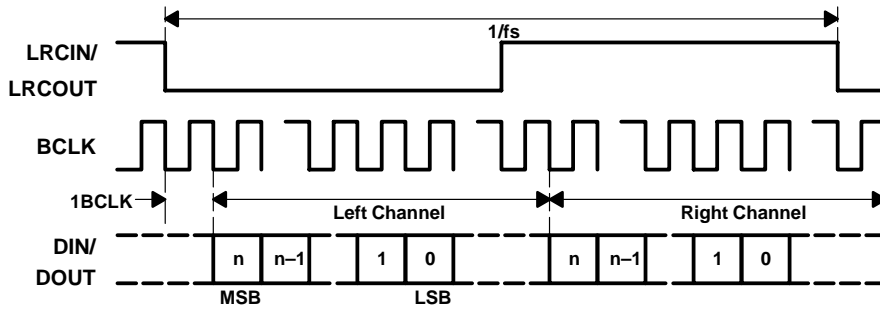


Figure 3-7. I²S Mode Timing

3.3.1.4 DSP Mode

The DSP mode is compatible with the McBSP ports of TI DSPs. LRCIN and LRCOUT must be connected to the Frame Sync signal of the McBSP. A falling edge on LRCIN or LRCOUT starts the data transfer. The left-channel data consists of the first data word, which is immediately followed by the right channel data word (see Figure 3-8). Input word length is defined by the IWL register. Figure 3-8 shows LRP = 1 (default LRP = 0).

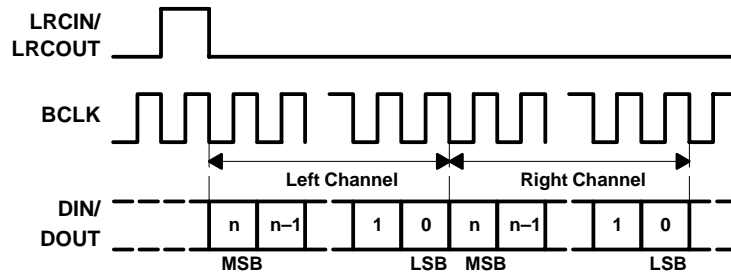


Figure 3-8. DSP Mode Timing

3.3.2 Audio Sampling Rates

The TLV320AIC23 can operate in master or slave clock mode. In the master mode, the TLV320AIC23 clock and sampling rates are derived from a 12-MHz MCLK signal. This 12-MHz clock signal is compatible with the USB specification. The TLV320AIC23 can be used directly in a USB system.

In the slave mode, an appropriate MCLK or crystal frequency and the sample rate control register settings control the TLV320AIC23 clock and sampling rates.

The settings in the sample rate control register control the clock mode and sampling rates.

Sample Rate Control (Address: 0001000)

BIT	D8	D7	D6	D5	D4	D3	D2	D1	D0
Function	X	CLKOUT	CLKIN	SR3	SR2	SR1	SR0	BOSR	USB/Normal
Default	0	0	0	0	0	0	0	0	0

CLKOUT	Clock output divider	0 = MCLK	1 = MCLK/2
CLKIN	Clock input divider	0 = MCLK	1 = MCLK/2
SR[3:0]	Sampling rate control (see Sections 3.3.2.1 and 3.3.2.2)		
BOSR	Base oversampling rate		
	USB mode:	0 = 250 f_s	1 = 272 f_s
	Normal mode:	0 = 256 f_s	1 = 384 f_s
USB/Normal	Clock mode select:	0 = Normal	1 = USB
X	Reserved		

The clock circuit of the AIC23 has two internal dividers. The first, controlled by CLKIN, applies to the sampling-rate generator of the codec. The second, controlled by CLKOUT, applies only to the CLKOUT terminal. By setting CLKIN to 1, the entire codec is clocked with half the frequency, effectively dividing the resulting sampling rates by two. The following sampling-rate tables are based on CLKIN = MCLK.

3.3.2.1 USB-Mode Sampling Rates (MCLK = 12 MHz)

In the USB mode, the following ADC and DAC sampling rates are available:

SAMPLING RATE†		FILTER TYPE	SAMPLING-RATE CONTROL SETTINGS				
ADC (kHz)	DAC (kHz)		SR3	SR2	SR1	SR0	BOSR
96	96	3	0	1	1	1	0
88.2	88.2	2	1	1	1	1	1
48	48	0	0	0	0	0	0
44.1	44.1	1	1	0	0	0	1
32	32	0	0	1	1	0	0
8.021	8.021	1	1	0	1	1	1
8	8	0	0	0	1	1	0
48	8	0	0	0	0	1	0
44.1	8.021	1	1	0	0	1	1
8	48	0	0	0	1	0	0
8.021	44.1	1	1	0	1	0	1

† The sampling rates are derived from the 12-MHz master clock. The available oversampling rates do not produce exactly 8-kHz, 44.1-kHz, and 88.2-kHz sampling rates, but 8.021 kHz, 44.117 kHz, and 88.235 kHz, respectively. See Figures 3–17 through 3–34 for filter responses

3.3.2.2 Normal-Mode Sampling Rates

In normal mode, the following ADC and DAC sampling rates, depending on the MCLK frequency, are available:

MCLK = 12.288 MHz

SAMPLING RATE		FILTER TYPE	SAMPLING-RATE CONTROL SETTINGS				
ADC (kHz)	DAC (kHz)		SR3	SR2	SR1	SR0	BOSR
96	96	2	0	1	1	1	0
48	48	1	0	0	0	0	0
32	32	1	0	1	1	0	0
8	8	1	0	0	1	1	0
48	8	1	0	0	0	1	0
8	48	1	0	0	1	0	0

MCLK = 11.2896 MHz

SAMPLING RATE		FILTER TYPE	SAMPLING-RATE CONTROL SETTINGS				
ADC (kHz)	DAC (kHz)		SR3	SR2	SR1	SR0	BOSR
88.2	88.2	2	1	1	1	1	0
44.1	44.1	1	1	0	0	0	0
8.021	8.021	1	1	0	1	1	0
44.1	8.021	1	1	0	0	1	0
8.021	44.1	1	1	0	1	0	0

MCLK = 18.432 MHz

SAMPLING RATE		FILTER TYPE	SAMPLING-RATE CONTROL SETTINGS				
ADC (kHz)	DAC (kHz)		SR3	SR2	SR1	SR0	BOSR
96	96	2	0	1	1	1	1
48	48	1	0	0	0	0	1
32	32	1	0	1	1	0	1
8	8	1	0	0	1	1	1
48	8	1	0	0	0	1	1
8	48	1	0	0	1	0	1

MCLK = 16.9344 MHz

SAMPLING RATE		FILTER TYPE	SAMPLING-RATE CONTROL SETTINGS				
ADC (kHz)	DAC (kHz)		SR3	SR2	SR1	SR0	BOSR
88.2	88.2	2	1	1	1	1	1
44.1	44.1	1	1	0	0	0	1
8.021	8.021	1	1	0	1	1	1
44.1	8.021	1	1	0	0	1	1
8.021	44.1	1	1	0	1	0	1

3.3.3 Digital Filter Characteristics

PARAMETER	TEST CONDITIONS	MIN	TYP	MAX	UNIT
ADC Filter Characteristics (TI DSP 250 f_s Mode Operation)					
Passband	± 0.05 dB	0.416 f_s			Hz
Stopband	-6 dB	0.5 f_s			Hz
Passband ripple				± 0.05	dB
Stopband attenuation	$f > 0.584 f_s$		-60		dB
ADC Filter Characteristics (TI DSP 272 f_s and Normal Mode Operation)					
Passband	± 0.05 dB	0.4535 f_s			Hz
Stopband	-6 dB	0.5 f_s			Hz
Passband ripple				± 0.05	dB
Stopband attenuation	$f > 0.5465 f_s$		-60		dB
ADC High-Pass Filter Characteristics					
Corner frequency	-3 dB, $f_s = 44.1$ kHz		3.7		Hz
	-3 dB, $f_s = 48$ kHz		4.0		Hz
	-0.5 dB, $f_s = 44.1$ kHz		10.4		Hz
	-0.5 dB, $f_s = 48$ kHz		11.3		Hz
	-0.1 dB, $f_s = 44.1$ kHz		21.6		Hz
	-0.1 dB, $f_s = 48$ kHz		23.5		Hz
DAC Filter Characteristics (48-kHz Sampling Rate)					
Passband	± 0.03 dB	0.416 f_s			Hz
Stopband	-6 dB	0.5 f_s			Hz
Passband ripple				± 0.03	dB
Stopband attenuation	$f > 0.584 f_s$		-50		dB
DAC Filter Characteristics (44.1-kHz Sampling Rate)					
Passband	± 0.03 dB	0.4535 f_s			Hz
Stopband	-6 dB	0.5 f_s			Hz
Passband ripple				± 0.03	dB
Stopband attenuation	$f > 0.5465 f_s$		-50		dB

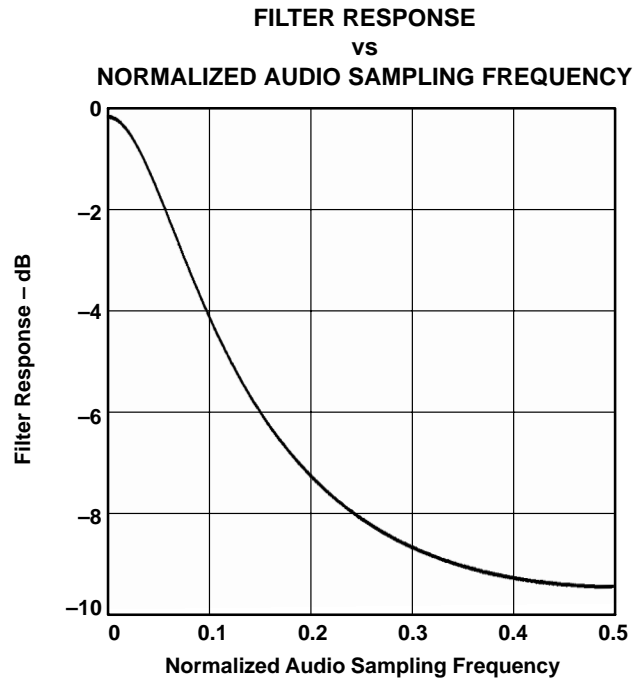


Figure 3-9. Digital De-Emphasis Filter Response – 44.1 kHz Sampling

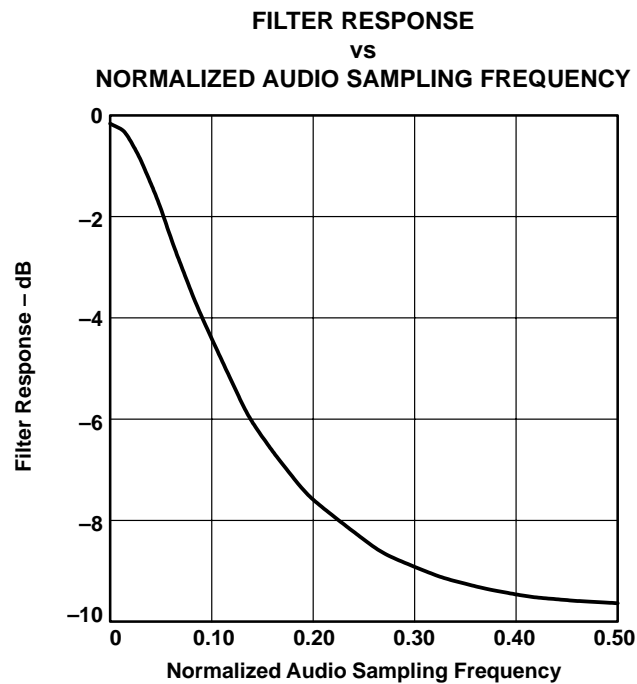
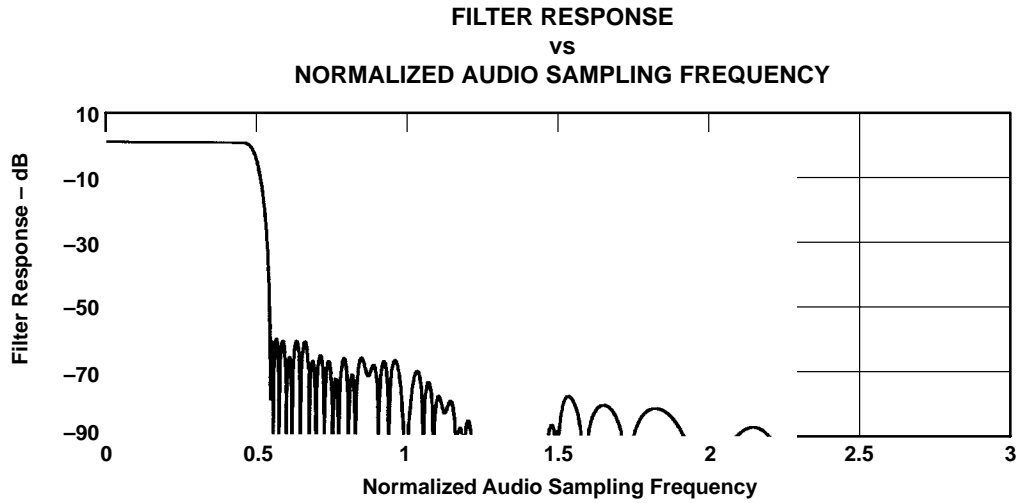
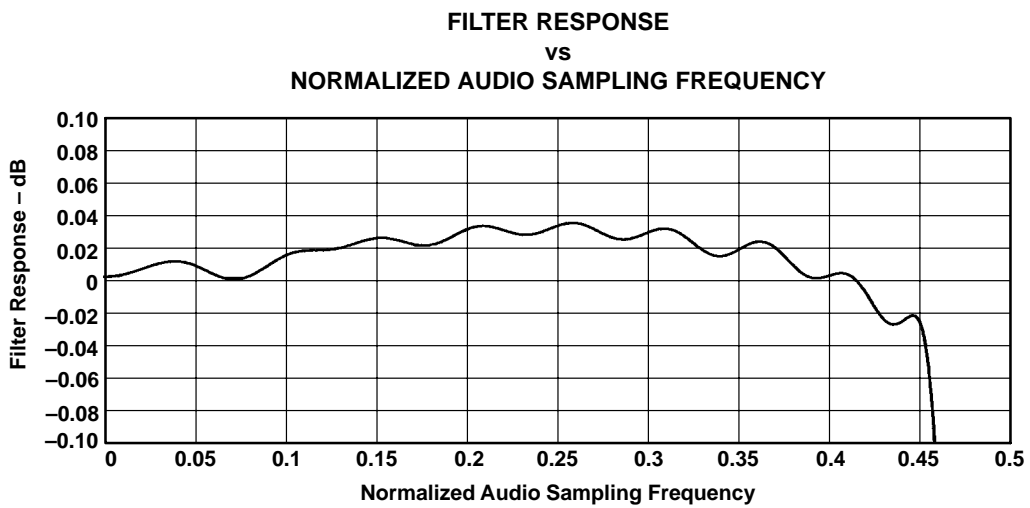


Figure 3-10. Digital De-Emphasis Filter Response – 48 kHz Sampling



**Figure 3–11. ADC Digital Filter Response 0: USB Mode
(Group Delay = 12 Output Samples)**



**Figure 3–12. ADC Digital Filter Ripple 0: USB
(Group Delay = 20 Output Samples)**

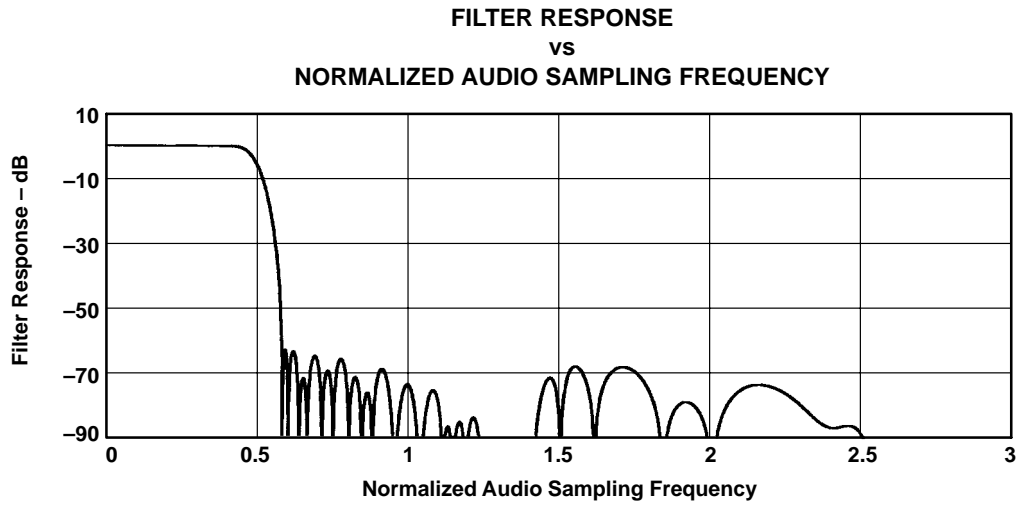


Figure 3–13. ADC Digital Filter Response 1: USB Mode Only

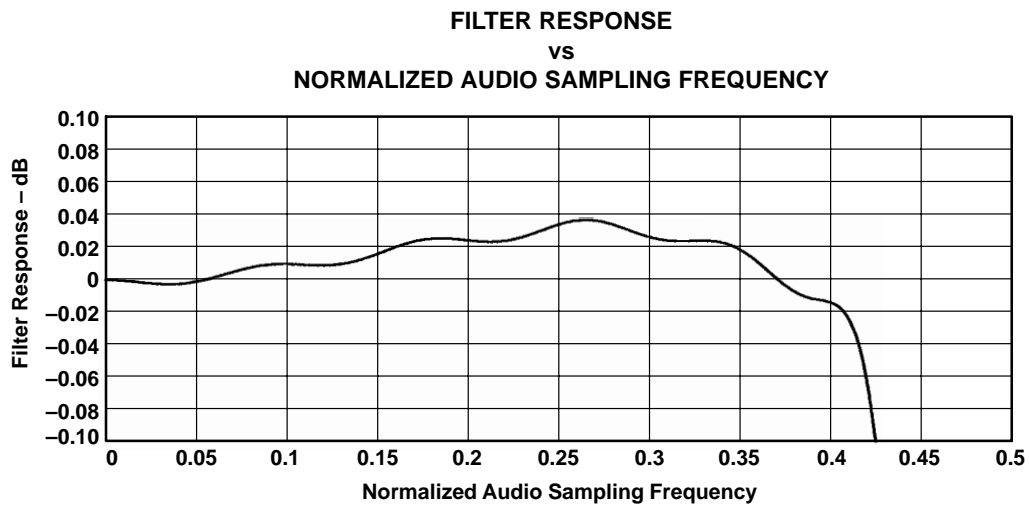
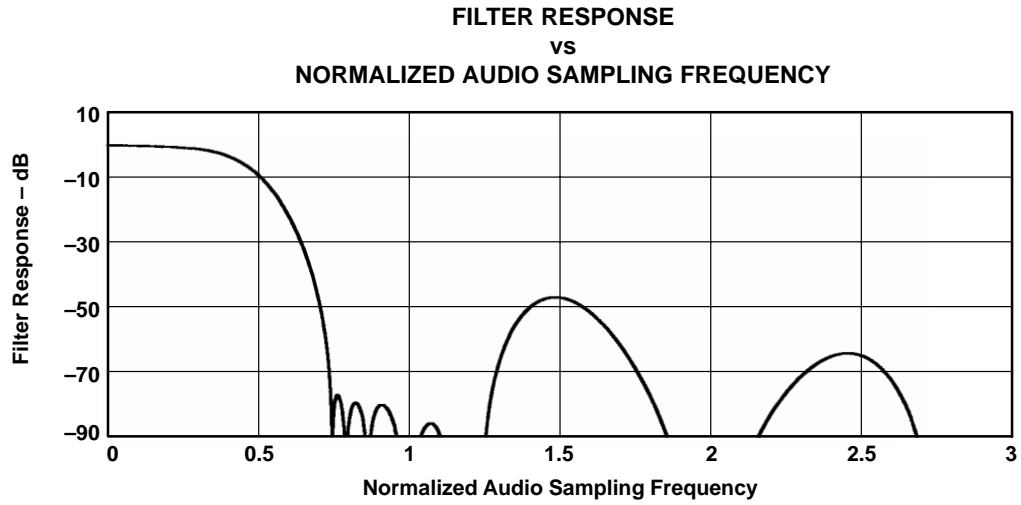


Figure 3–14. ADC Digital Filter Ripple 1: USB Mode Only



**Figure 3–15. ADC Digital Filter Response 2: USB mode and Normal Modes
(Group Delay = 3 Output Samples)**

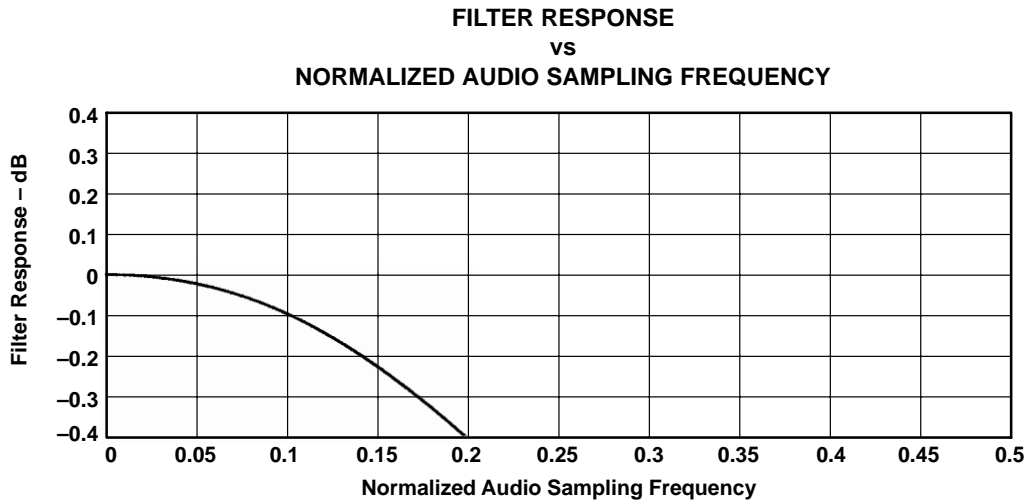


Figure 3–16. ADC Digital Filter Ripple 2: USB Mode and Normal Modes

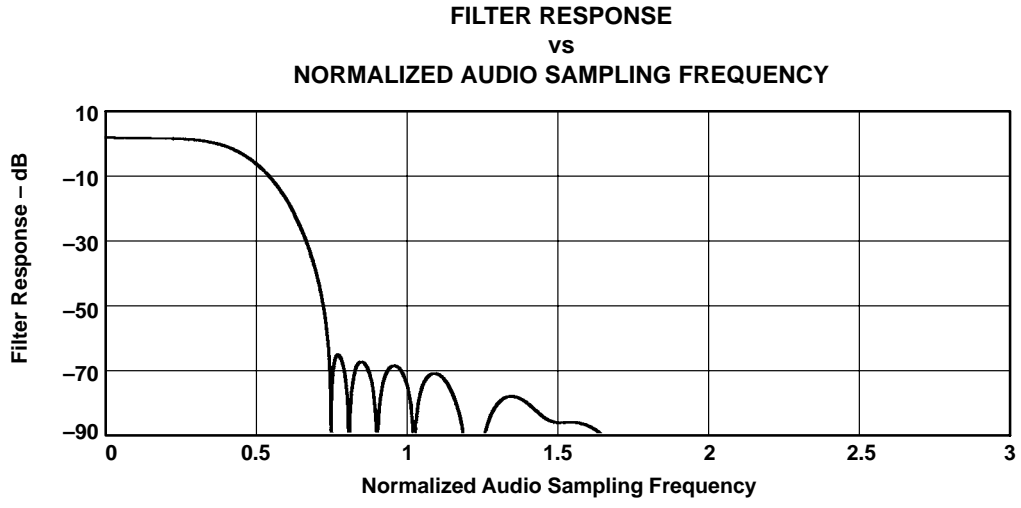


Figure 3-17. ADC Digital Filter Response 3: USB Mode Only

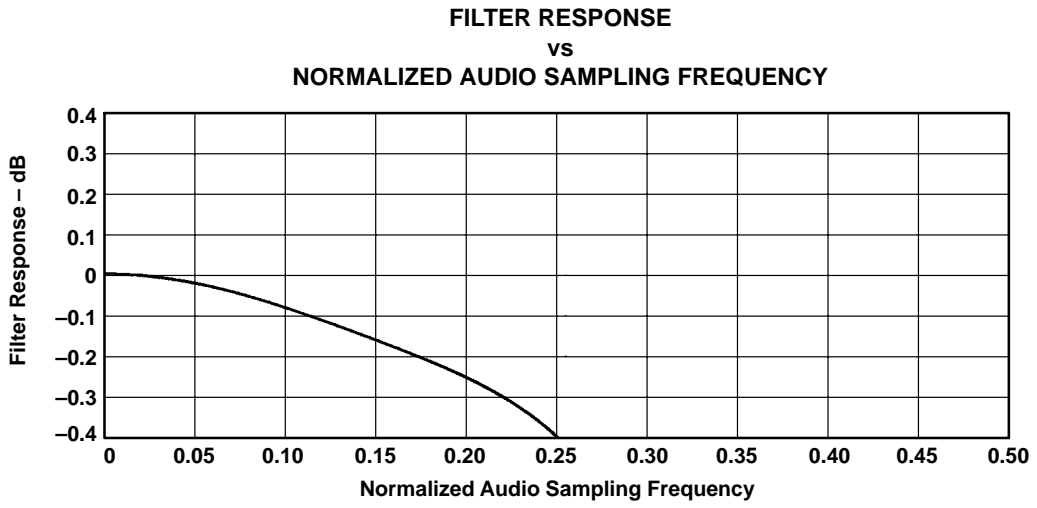


Figure 3-18. ADC Digital Filter Ripple 3: USB Mode Only

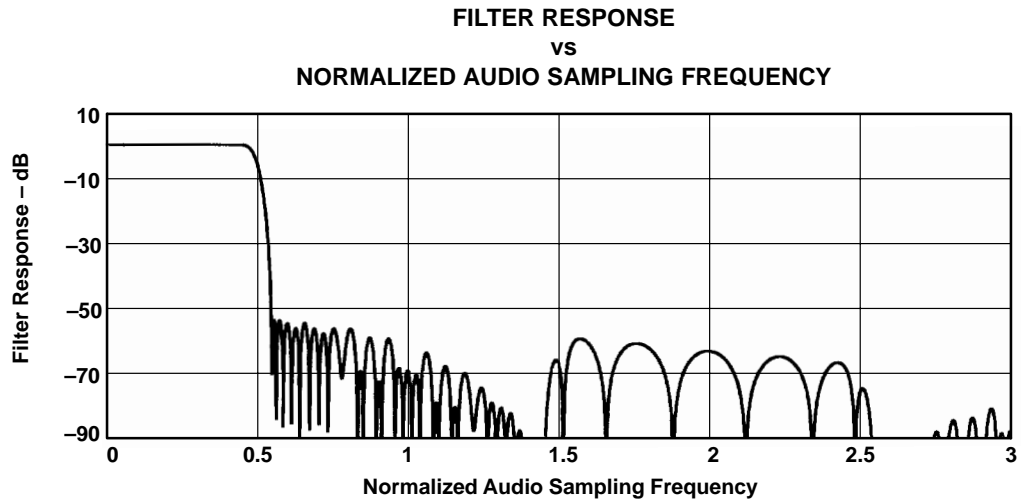


Figure 3–19. DAC Digital Filter Response 0: USB Mode

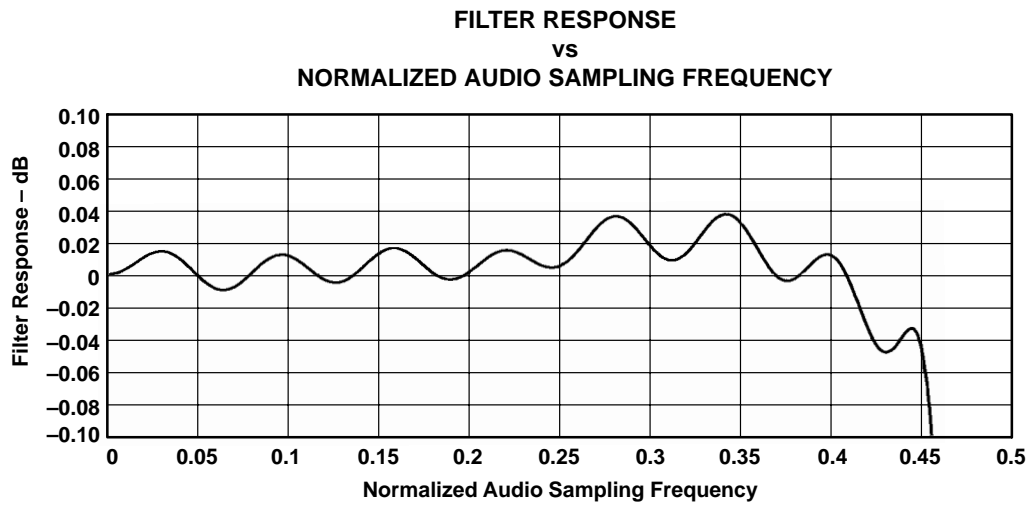


Figure 3–20. DAC Digital Filter Ripple 0: USB Mode

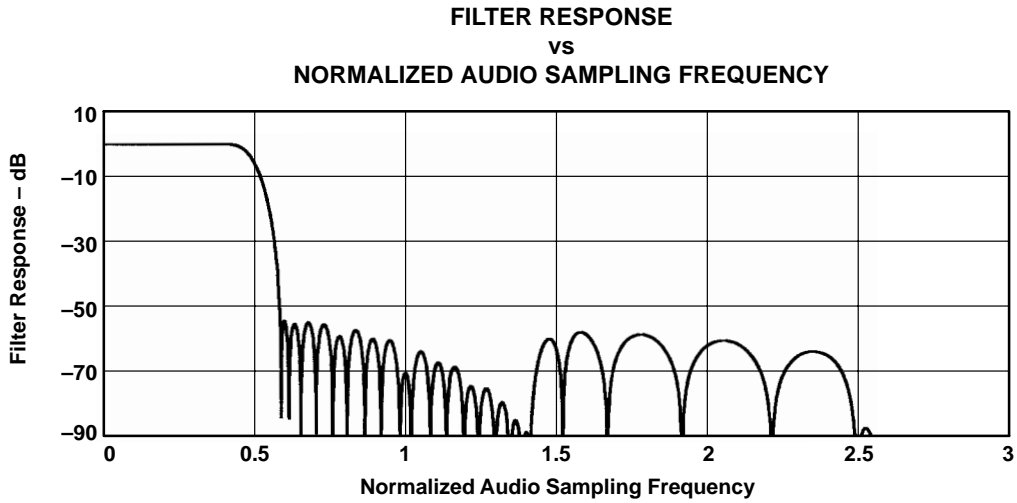


Figure 3–21. DAC Digital Filter Response 1: USB Mode Only

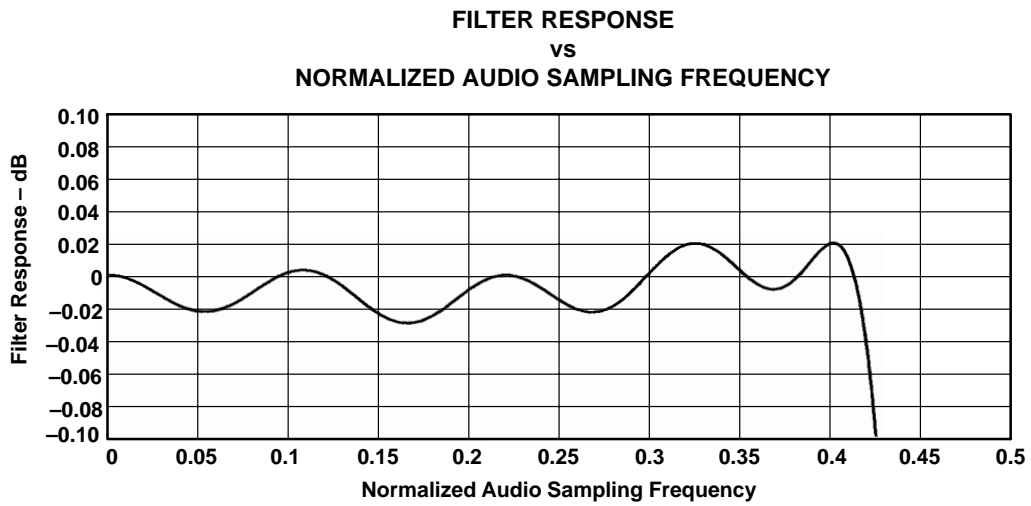


Figure 3–22. DAC Digital Filter Ripple 1: USB Mode Only

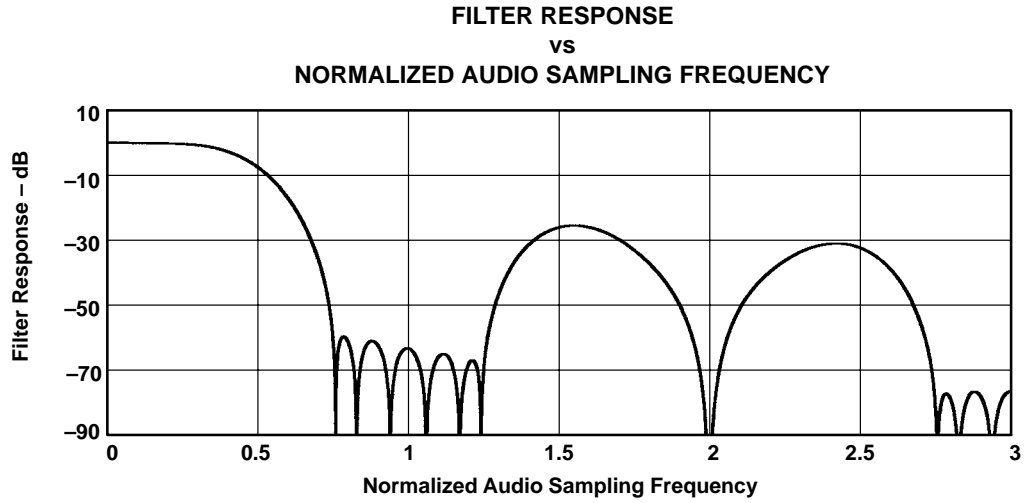


Figure 3–23. DAC Digital Filter Response 2: USB Mode and Normal Modes

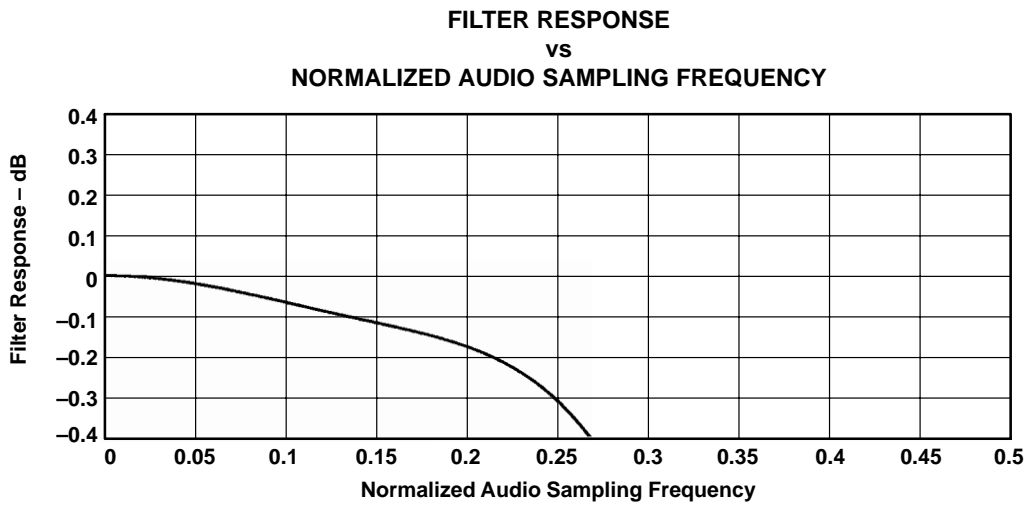


Figure 3–24. DAC Digital Filter Ripple 2: USB Mode and Normal Modes

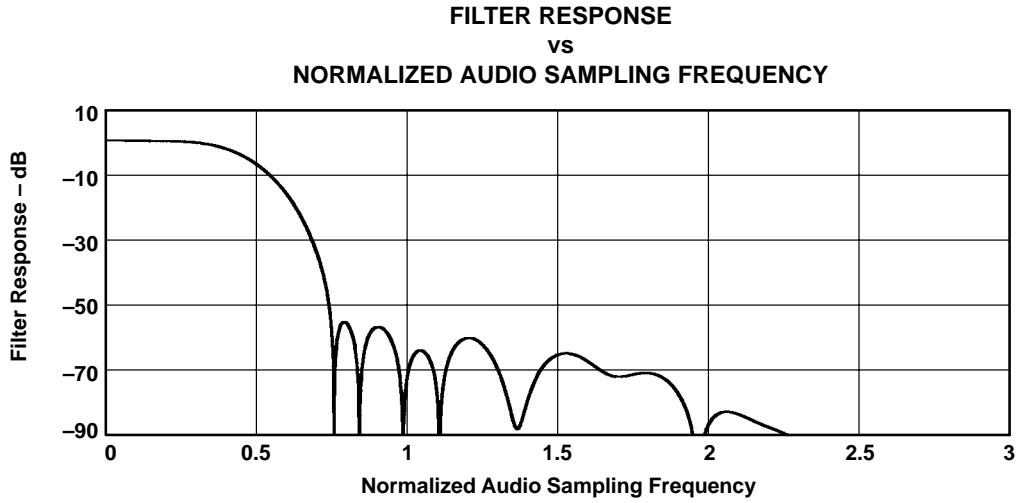


Figure 3–25. DAC Digital Filter Response 3: USB Mode Only

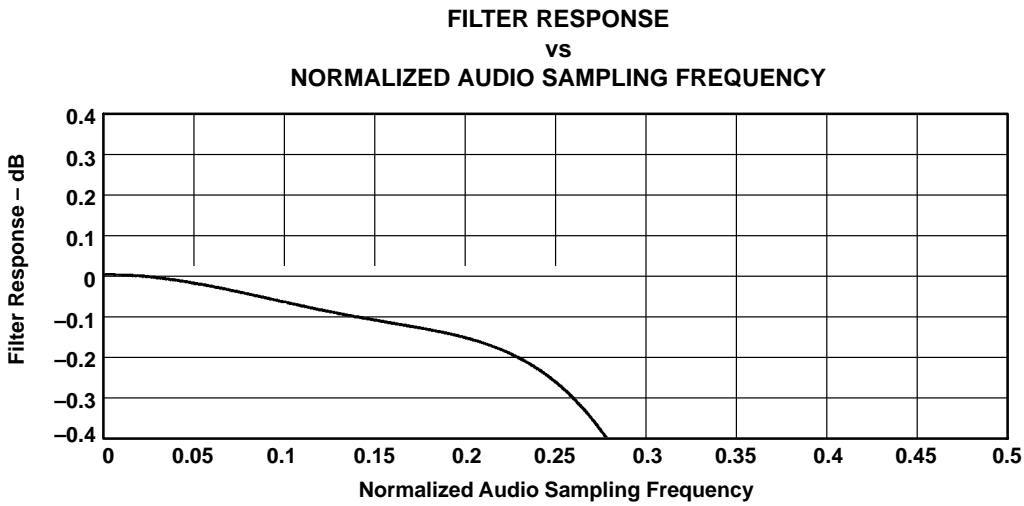


Figure 3–26. DAC Digital Filter Ripple 3: USB Mode Only

The delay between the converter is a function of the sample rate. The group delays for the AIC23 are shown in the following table. Each delay is one LR clock (1/sample rate).

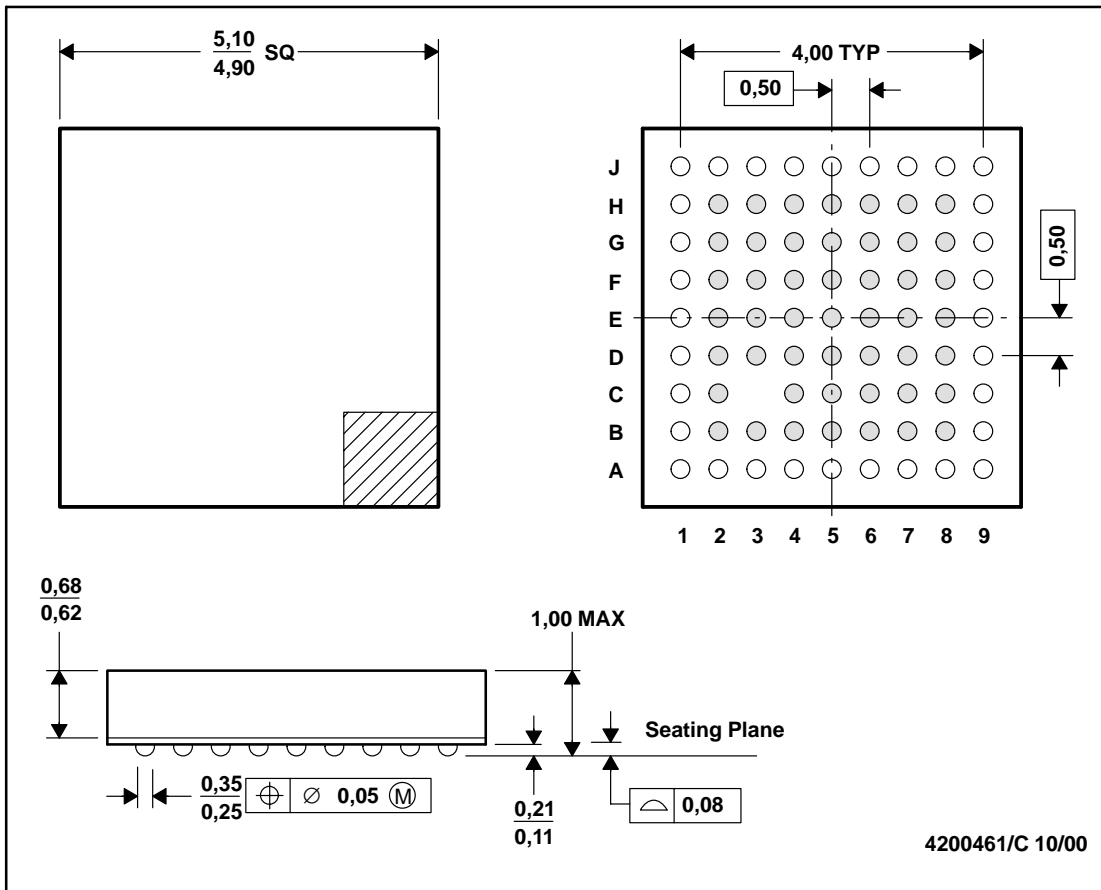
Table 3–1. Group Delays

FILTER	GROUP DELAY
DAC type 0	11
DAC type 1	18
DAC type 2	5
DAC type 3	5
ADC type 0	12
ADC type 1	20
ADC type 2	3
ADC type 3	6

Appendix A Mechanical Data

GQE (S-PBGA-N80)

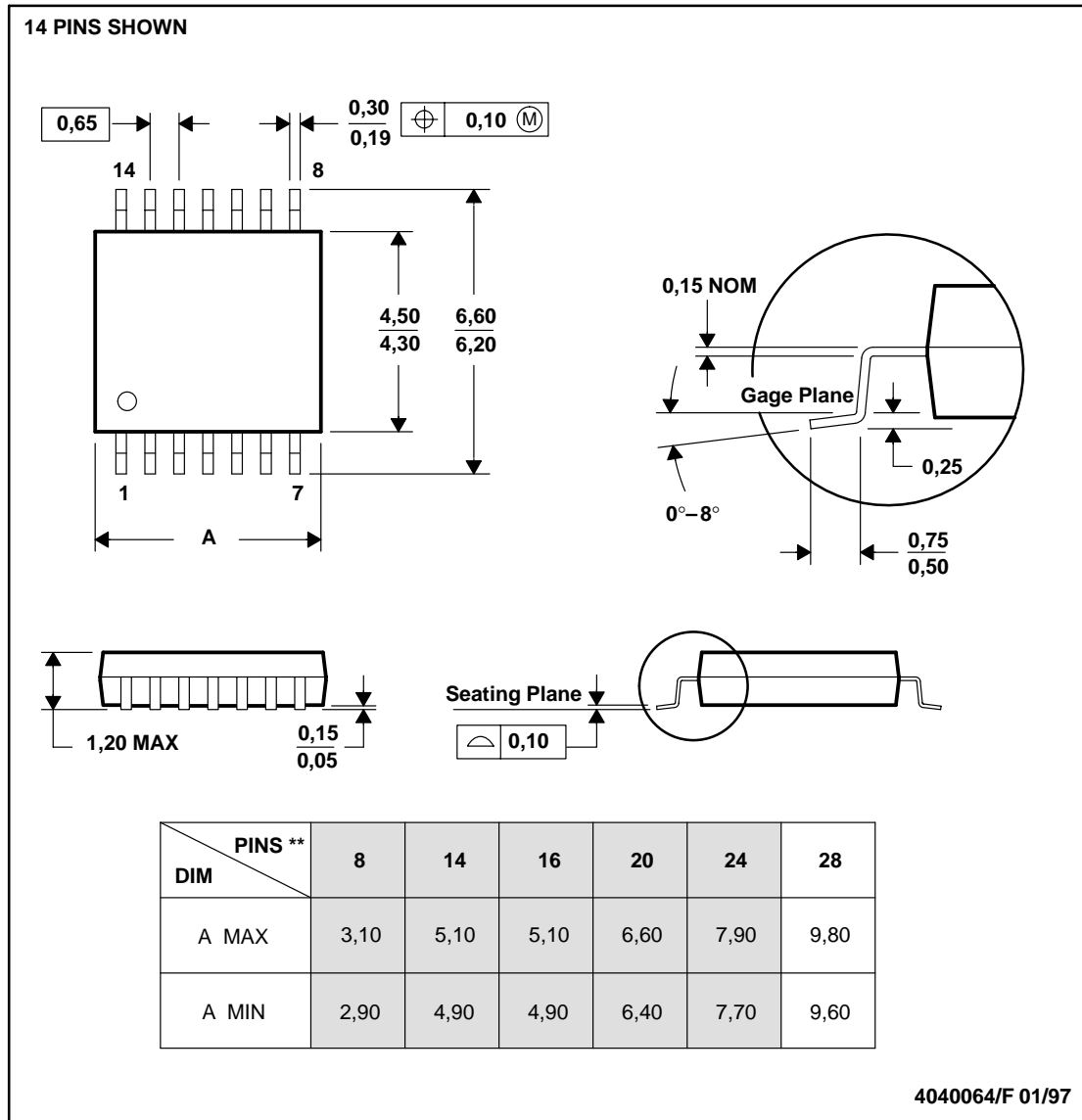
PLASTIC BALL GRID ARRAY



- NOTES: A. All linear dimensions are in millimeters.
 B. This drawing is subject to change without notice.
 C. MicroStar Junior™ BGA configuration
 D. Falls within JEDEC MO-225

PW (R-PDSO-G**)

PLASTIC SMALL-OUTLINE PACKAGE



- NOTES: A. All linear dimensions are in millimeters.
 B. This drawing is subject to change without notice.
 C. Body dimensions do not include mold flash or protrusion not to exceed 0,15.
 D. Falls within JEDEC MO-153