

High Power-Factor Preregulator

FEATURES

- Low-Cost Power Factor Correction
- Power Factor Greater Than 0.99
- Few External Parts Required
- Controlled On-Time Boost PWM
- Zero-Current Switching
- Limited Peak Current
- Min and Max Frequency Limits
- Starting Current Less Than 1mA
- High-Current FET Drive Output
- Under-Voltage Lockout

DESCRIPTION

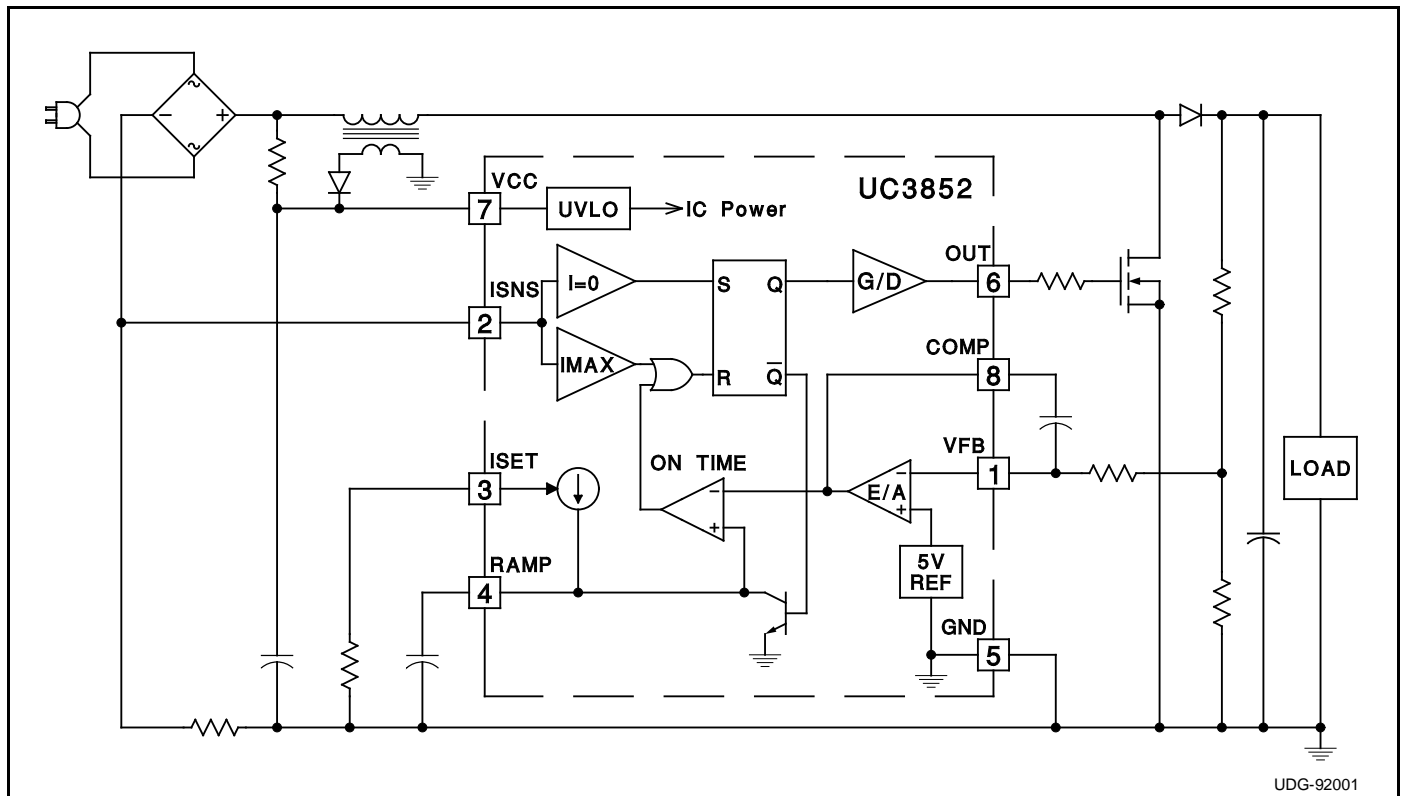
The UC1852 provides a low-cost solution to active power-factor correction (PFC) for systems that would otherwise draw high peak current pulses from AC power lines. This circuit implements zero-current switched boost conversion, producing sinusoidal input currents with a minimum of external components, while keeping peak current substantially below that of fully-discontinuous converters.

The UC1852 provides controlled switch on-time to regulate the output bulk DC voltage, an off-time defined by the boost inductor, and a zero-current sensing circuit to reactivate the switch cycle. Even though switching frequency varies with both load and instantaneous line voltage, it can be maintained within a reasonable range to minimize noise generation.

While allowing higher peak switch currents than continuous PFCs such as the UC1854, this device offers less external circuitry and smaller inductors, yet better performance and easier line-noise filtering than discontinuous current PFCs with no sacrifice in complexity or cost. The ability to obtain a power factor in excess of 0.99 makes the UC1852 an optimum choice for low-cost applications in the 50 to 500 watt power range. Protection features of these devices include under-voltage lockout, output clamping, peak-current limiting, and maximum-frequency clamping.

The UC1852 family is available in 8-pin plastic and ceramic dual in-line packages, and in the 8-pin small outline IC package (SOIC). The UC1852 is specified for operation from -55°C to +125°C, the UC2852 is specified for operation from -40°C to +85°C, and the UC3852 is specified for operation from 0°C to +70°C.

TYPICAL APPLICATION



UDG-92001

ABSOLUTE MAXIMUM RATINGS

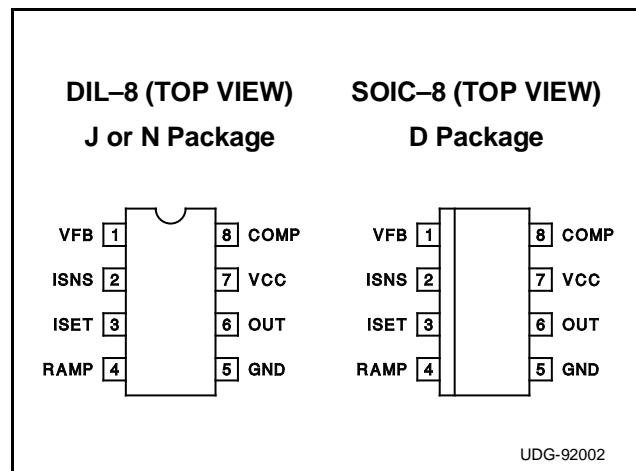
Supply Voltage (Low-impedance Source).....	30.0V
Supply Current (High-impedance Source)	30.0mA
OUT Current, Peak	±1.0A
OUT Energy, Capacitive Load.....	5.0μJ
Input Voltage, ISNS	±5.0V
Input Voltage, VFB.....	-0.3V to +10.0V
COMP Current.....	±10.0mA
ISET Current.....	-10.0mA
Power Dissipation at Ta≤25°C (Note 3)	1.0W
Storage Temperature	-65°C to +150°C
Lead Temperature (Soldering, 10 Seconds).....	+300°C

Note 1: All voltages with respect to GND (Pin 1).

Note 2: All currents are positive into the specified terminal.

Note 3: Refers to DIL-8 Package. Consult Packaging Section of Unitrode Integrated Circuits databook for thermal limitations and considerations of package.

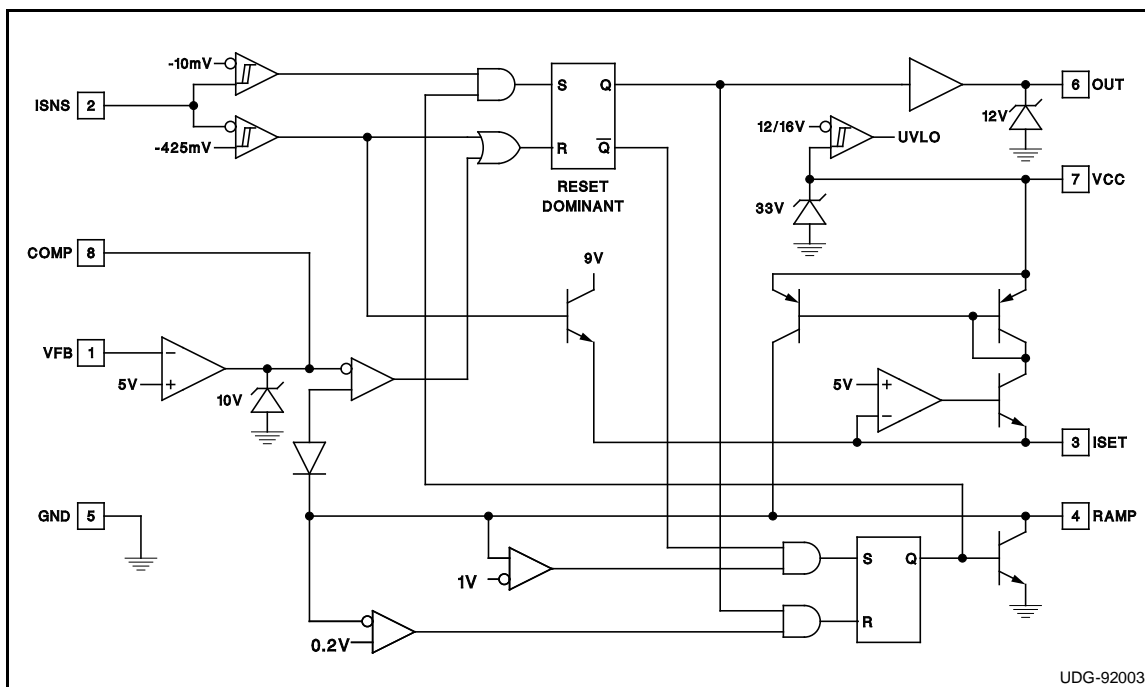
CONNECTION DIAGRAM



ELECTRICAL CHARACTERISTICS Unless otherwise stated, VCC=24V, ISET=50kΩ to GND, RAMP=1nF to GND, ISNS=-0.1V, VFB connected to COMP, no load on OUT, -55°C<Ta<+125°C for the UC1852, -40°C<Ta<+85°C for the UC2852, and 0°C<Ta<+70°C for the UC3852, and Ta=Tj.

PARAMETER	TEST CONDITIONS	MIN.	TYP.	MAX.	UNITS
Timer Section					
ISET Voltage		4.5	5.0	5.5	V
RAMP Charge Current	RAMP=2.5V	88	98	108	μA
RAMP Discharge Current	ISNS= -1.0V, RAMP=1.0V	12	28	50	mA
RAMP Saturation Voltage	ISNS= -1.0V, IRAMP=100μA		0.006	0.200	V
RAMP Threshold - Maximum Frequency	VFB=10V, COMP open	0.92	1.02	1.12	V
RAMP Threshold - PWM Comparator		3.9	4.3	4.8	V
Current Sense Comparator					
ISNS Restart Threshold		-18	-10	-4	mV
ISNS Fault Threshold		-550	-450	-350	mV
ISNS Input Current		-100	-30	100	μA
Error Amplifier Section					
VFB Input Voltage		4.6	5.0	5.3	V
VFB Input Bias Current		-5.00	-0.03	5.00	μA
COMP Sink Current	COMP=7.5V	10			mA
COMP Source Current	COMP=2.5V	-300	-175	-100	μA
COMP Clamp Voltage	VFB=0.0V, COMP open	9.2	10.0	10.6	V
OUT Output					
OUT Saturation Voltage High	VCC=13V, IOUT= -200mA, RAMP=2V	0.5	1.7	2.5	V
OUT Saturation Voltage Low	IOUT=200mA, ISNS= -1.0V	0.5	1.6	2.2	V
OUT Saturation Voltage Low @ 10mA	IOUT=10mA, ISNS= -1.0V		0.05	0.40	V
OUT Clamp Voltage	IOUT= -200mA, RAMP=2V	10.0	12.0	14.5	V
OUT Voltage during UVLO	IOUT=100mA, VCC=0V	0.5	1.0	2.2	V
Overall Section					
Inactive Supply Current	VCC=10V	0.2	0.4	1.0	mA
Active Supply Current		3.0	6.0	10.0	mA
VCC Clamp Voltage	ICC=25mA	30	33	36	V
VCC Turn-On Threshold		14.5	16.3	17.5	V
VCC Turn-Off Threshold		10.5	11.5	13.0	V
VCC Threshold Hysteresis		3	5	7	V

DETAILED BLOCK DIAGRAM



PIN DESCRIPTIONS

COMP: COMP is the output of the error amplifier and the input of the PWM comparator. To limit PWM on-time, this pin is clamped to approximately 10V. To implement soft start, the COMP pin can be pulled low and ramped up with a PNP transistor, a capacitor, and a resistor.

GND: Ground for all functions is through this pin.

ISET: The dominant function of this pin is to program RAMP charging current. RAMP charging current is approximately 5V divided by the external resistor placed from ISET to ground. Resistors in the range of 10kΩ to 50kΩ are recommended, producing currents in the range of 100μA to 500μA.

A second function of ISET is as reference output. The ISET pin is normally regulated to 5V ±10%. It is critical that this pin only see the loading of the RAMP programming resistor, but a high input-impedance comparator or amplifier may be connected to this pin or to a tap on the RAMP programming resistor if required.

The third function of the ISET pin is as a FAULT output. In the event of an over-current fault, the ISET pin is forced to approximately 9V by the fault comparator. This can be used to trip an external protection circuit which can disable the load or start a fault restart cycle.

ISNS: This input to the zero and over current comparators is specially built to allow operation over a ±5V dynamic range. In noisy systems or systems with very high Q inductors, it is desirable to filter the signal entering the ISNS input to prevent premature restart or fault cycles. For best

accuracy, ISNS should be connected to a current sense resistor through no more than 200 ohms.

OUT: The output of a high-current power driver capable of driving the gate of a power MOSFET with peak currents exceeding ±500mA. To prevent damage to the power MOSFET, the OUT pin is internally driven by a 12V supply. However, lead inductance between the OUT pin and the load can cause overshoot and ringing. External current boost transistors will increase this overshoot and ringing. If there is any significant distance between the IC and the MOSFET, external clamp diodes and/or series damping resistors may be required. OUT is actively held low when the VCC is below the UVLO threshold.

RAMP: A controlled on-time PWM requires a timer whose time can be modulated by an external voltage. The timer current is programmed by a resistor from ISET to GND. A capacitor from RAMP to GND sets the on time in conjunction with the voltage on COMP. Recommended values for the timer capacitors are between 100pF and 1nF.

VCC: VCC is the logic and control power connection for this device. VCC current is the sum of active device supply current and the average OUT current. Knowing the maximum operating frequency and the MOSFET gate charge (Q_g), average OUT current can be estimated by:

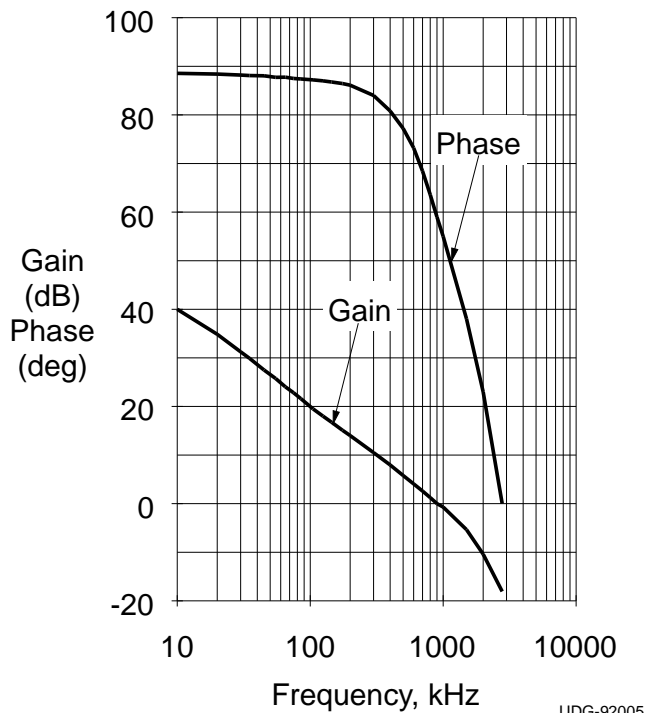
$$I_{OUT} = Q_g \times F$$

To prevent noise problems, bypass VCC to GND with both a ceramic and an electrolytic capacitor.

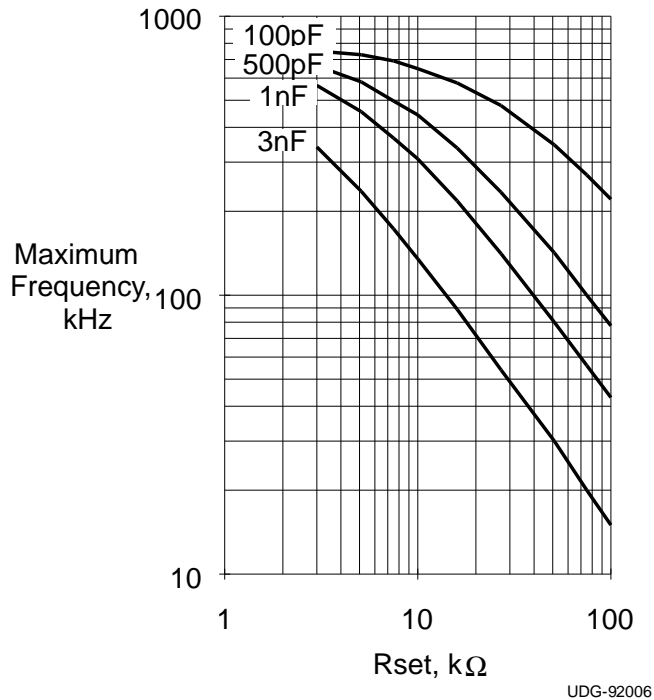
VFB: VFB is the error amplifier inverting input. This input serves as both the voltage sense input to the error amplifier

TYPICAL CHARACTERISTICS

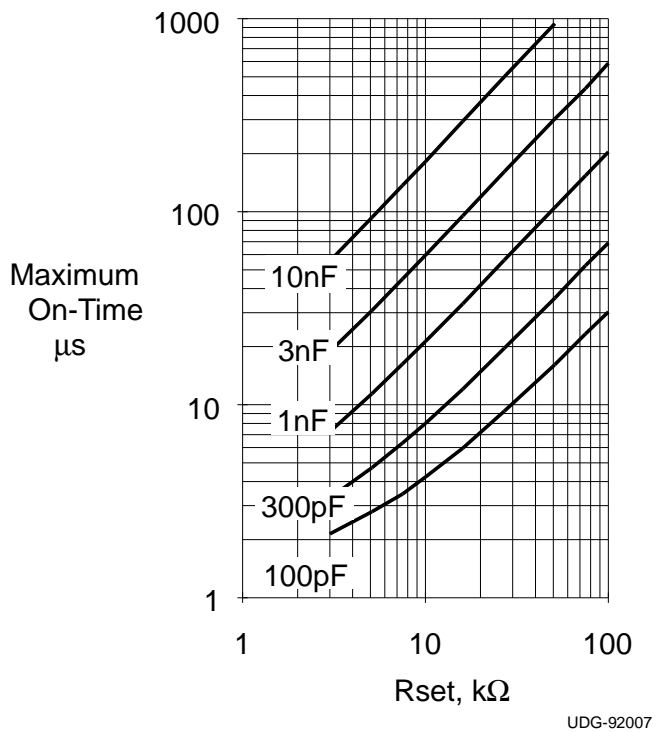
Error Amplifier Gain and Phase



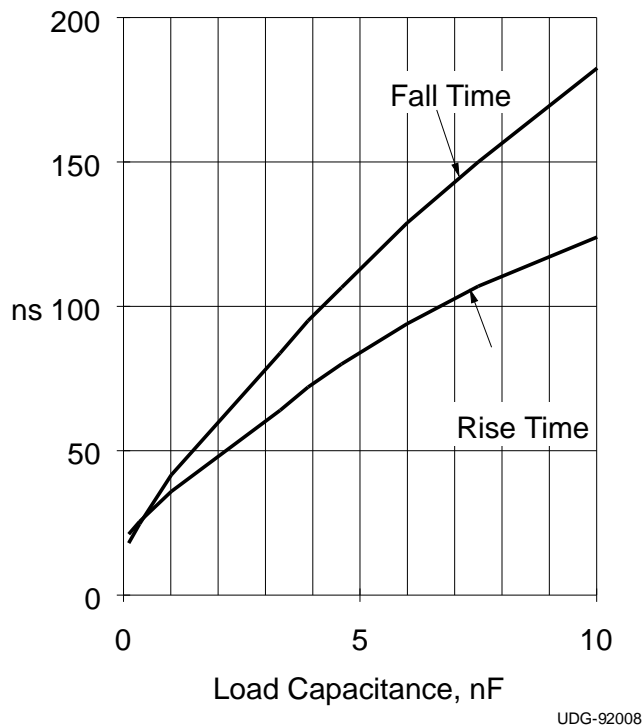
Max Frequency vs. Rset and Ct



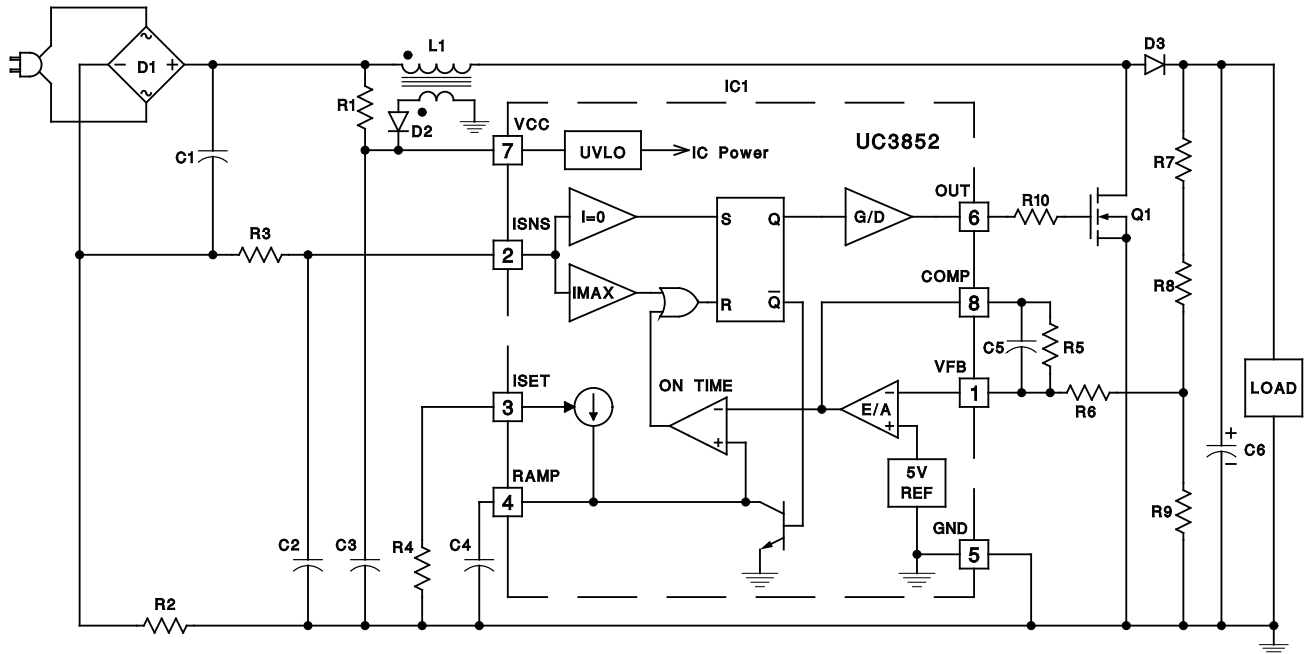
Max On-Time vs. Rset and Ct



OUT Rise and Fall Time



APPLICATION INFORMATION: A 100 Watt Power Factor Preregulator



UDG-92004

This circuit demonstrates a complete power factor preregulator based on the UC3852. This preregulator will supply up to 100 watts at 400VDC and exhibit power factor greater than 0.995 with less than 10% total harmonic distortion. Operating input range is 90V to 160V RMS at 50Hz to 60Hz.

This design is intentionally simple, yet fully functional. The UC3852 can also be used in designs featuring soft start, over-voltage protection, wide power-line voltage operation, and fault latching. For more information on applying the UC3852, refer to Unitrode Application Note U-132.

PARTS LIST

C1	0.47 μ F/250VAC X2 Class Polyester	Q1	IRF830 4.5A/500V 1.5 Ω Power FET
C2	1nF/16V Ceramic	L1	680 μ H (Renco RL3792 with 10 Turn 24 AWG Secondary)
C3	68 μ F/35V Aluminum Electrolytic	R1	150k Ω , 1/4W
C4	180pF/16V Ceramic	R2	0.2 Ω , 1/2W Carbon Composition
C5	0.1 μ F/16V Polyester or Ceramic	R3	10 Ω , 1/4W
C6	82 μ F/450V Aluminum Electrolytic	R4	13.3k Ω , 1/4W
D1	2A/500V Bridge Rectifier (Collmer KBPC106 or Powertex MB11A02V60)	R5	1M Ω , 1/4W
D2	100mA/50V Switching Diode (1N4148)	R6	20k Ω , 1/4W
D3	2A/500V 250ns Recovery-Time Rectifier (Motorola MR856)	R7	200k Ω , 1/2W
IC1	UC3852N Power Factor Controller IC	R8	200k Ω , 1/2W

IMPORTANT NOTICE

Texas Instruments and its subsidiaries (TI) reserve the right to make changes to their products or to discontinue any product or service without notice, and advise customers to obtain the latest version of relevant information to verify, before placing orders, that information being relied on is current and complete. All products are sold subject to the terms and conditions of sale supplied at the time of order acknowledgement, including those pertaining to warranty, patent infringement, and limitation of liability.

TI warrants performance of its semiconductor products to the specifications applicable at the time of sale in accordance with TI's standard warranty. Testing and other quality control techniques are utilized to the extent TI deems necessary to support this warranty. Specific testing of all parameters of each device is not necessarily performed, except those mandated by government requirements.

CERTAIN APPLICATIONS USING SEMICONDUCTOR PRODUCTS MAY INVOLVE POTENTIAL RISKS OF DEATH, PERSONAL INJURY, OR SEVERE PROPERTY OR ENVIRONMENTAL DAMAGE ("CRITICAL APPLICATIONS"). TI SEMICONDUCTOR PRODUCTS ARE NOT DESIGNED, AUTHORIZED, OR WARRANTED TO BE SUITABLE FOR USE IN LIFE-SUPPORT DEVICES OR SYSTEMS OR OTHER CRITICAL APPLICATIONS. INCLUSION OF TI PRODUCTS IN SUCH APPLICATIONS IS UNDERSTOOD TO BE FULLY AT THE CUSTOMER'S RISK.

In order to minimize risks associated with the customer's applications, adequate design and operating safeguards must be provided by the customer to minimize inherent or procedural hazards.

TI assumes no liability for applications assistance or customer product design. TI does not warrant or represent that any license, either express or implied, is granted under any patent right, copyright, mask work right, or other intellectual property right of TI covering or relating to any combination, machine, or process in which such semiconductor products or services might be or are used. TI's publication of information regarding any third party's products or services does not constitute TI's approval, warranty or endorsement thereof.